



Best Barns USA Assembly Book

Revised February 1, 2023



Roof Dormer Instructions for the Arlington & Hampton

Manufactured by RBS Holdings, LLC

205 Arlington Drive

Greenville, PA 16125

This manual is copyrighted. Under the copyright laws, this manual may not be copied, in whole or in part, without consent from

RBS Holdings, LLC

© Copyright 2022

Dormer Packing List

2	2x4	Ridge Boards	56-1/2"
2	2x4	Bottom Plates	33-1/2"
4	2x	Side wall Overhang	45"
4	2x3	Gable Overhang	21"
4	1x4	Side wall Fascia	45"
4	1x4	Gable Trim	22-1/2"
4	1x3	Side Corner Trim	32-3/4"
4	1x3	Front Corner Trim	36-3/8"
4	7/16"	Roof Sheathing	20-1/2"x 58-3/4"
2	7/16"	Front wall Sheathing	30-1/2"x 45-3/4"
4	3/8"	Side wall Siding	38-3/8" x 33"
2	3/8"	Front wall Siding	30-1/2" x 45-3/4"

1	1 lb. box	6d	Galv. Box
64	1/2"	White Screws	for Windows
40	2-1/2"	Wood Screws	
4	3-1/2"	Wood Screws	
8	4"	Wood Screws	
40	1-5/8"	Drywall Screws	
1	ea.	Bit for Wood Screws	
64	5"x7"	Step Flashing	
2	7"x41"	Front Dormer	Flashing
4	ea.	Pre-built Angle	Side wall Panels
1	ea.	Pre-built Door	Header
1	ea.	Pre-built Truss	
1	ea.	Brace/Nailer	
3	ea.	18" x 36"	Sunburst Windows
2	ea.	18" x 36"	Windows w/shutters

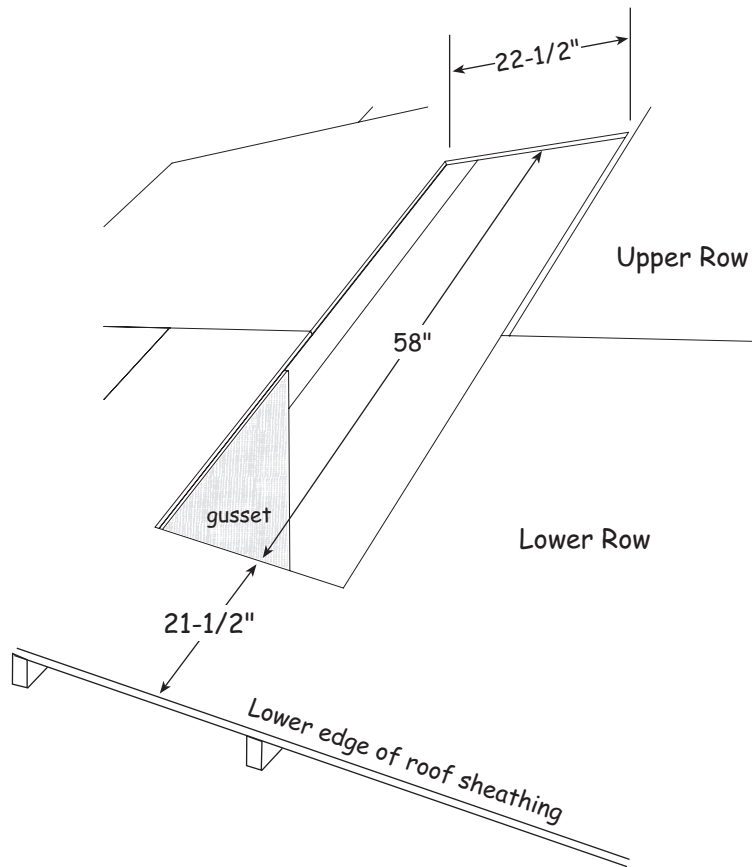
Step 1 Cut Openings in Roof Sheathing



Choose a location to cut out dormer openings. The placement should be between two trusses but can be anywhere you like. Suggested locations are between the 2nd and 3rd trusses on a 12'x16' building. Or the 3rd and 4th trusses on a 12'x20' building. Or the 4th and 5th trusses on a 12'x24' building.

A circular saw set to a 1/2" depth works well for this.

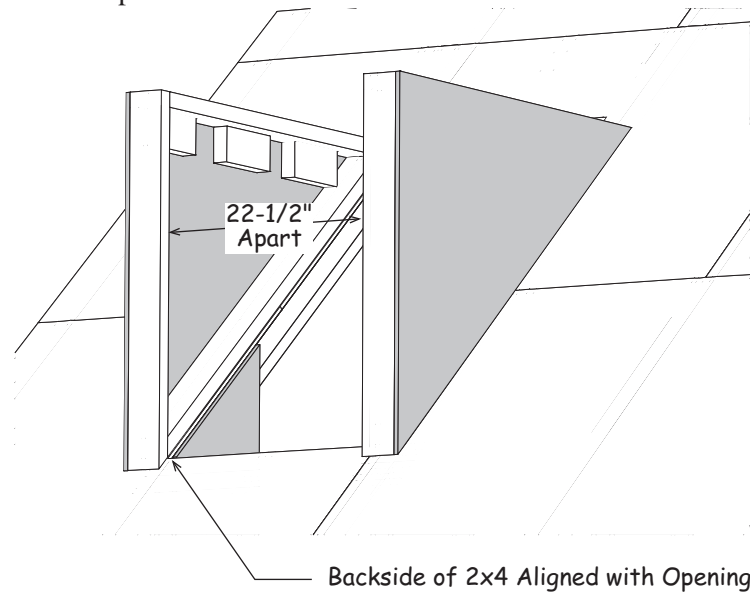
1. Measure up from bottom roof edge 21-1/2". Cut an opening 22-1/2" wide x 58" high.



Step 2 Install Dormer Side Panels

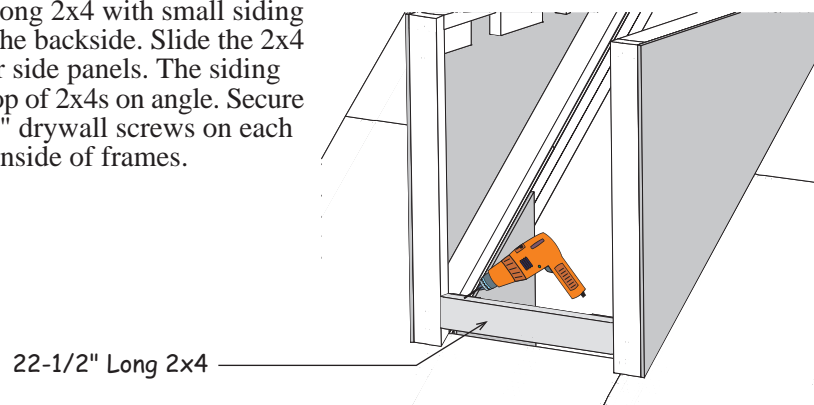
 If you choose a location other than between trusses you will need to provide additional support on the interior of the roof sheathing to secure dormer components too.

1. Install dormer side panels directly over trusses. Insure the panels are spaced 22-1/2" apart. Tip: you may use the Brace/Nailer in next step to space properly. Align the backside of vertical 2x4 with the bottom edge of opening and the inside edge with inside edge of truss. Nail with (5) five 10d sinkers per side.



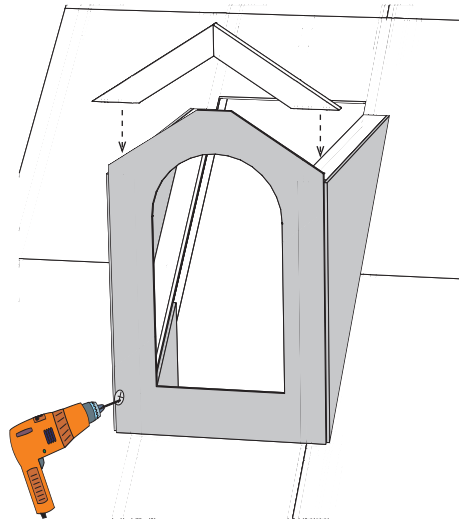
Step 3 Install Brace / Nailer

1. Locate a 22-1/2" long 2x4 with small siding pieces secured to the backside. Slide the 2x4 in between dormer side panels. The siding pieces will sit on top of 2x4s on angle. Secure with (2) two 1-5/8" drywall screws on each side. Screw from inside of frames.



Step 4 Install Front OSB & Roof Sheathing

1. Install the OSB front panel. Set bottom of panel on roof sheathing and secure to side panels and lower brace. Insure the side panels are plum and spaced 22-1/2" apart. Use 1-5/8" drywall screws spaced 8" apart.
2. Locate a pre-built dormer truss and set centered on top of the dormer panels. Ends will extend 1-3/4" past panels on each side. Secure to front panel with drywall screws.

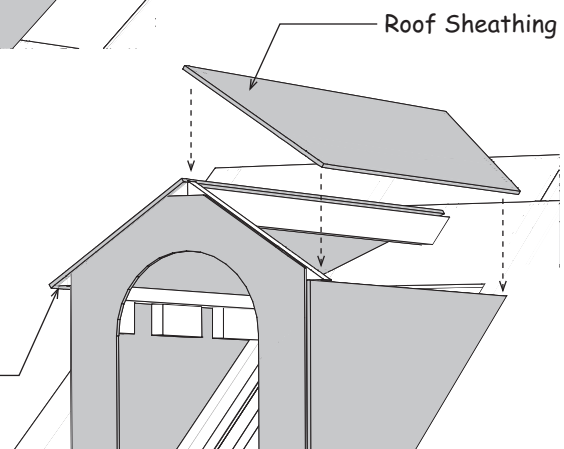


3. Install a 55-1/2" long 2x4 with angle cut on one end to top of dormer front. Top of board should not extend above dormer truss. Use (2) two 3-1/2" long screws.
4. Insure board is level and secure through roof sheathing into 2x4 that is in between trusses. Tip: pre-drill to keep wood from splitting.



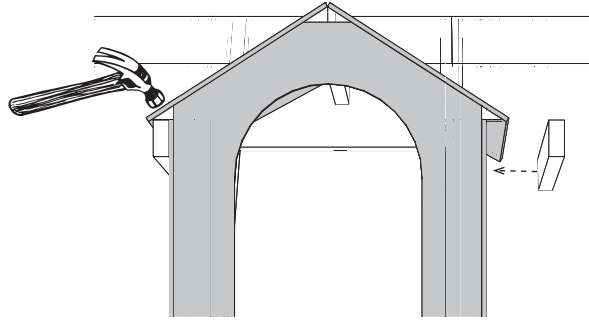
5. Locate (2) two 57-1/2" x 20-1/2" OSB roof sheathing. Install sheathing with front edge extending 3/8" past OSB on front panel. Sheathing should meet at peak and extend past side panels. Use 6d common nails. Bottom of sheathing will be nailed in next step.

Roof Sheathing
Extends Past Front



Step 5 Install Eave

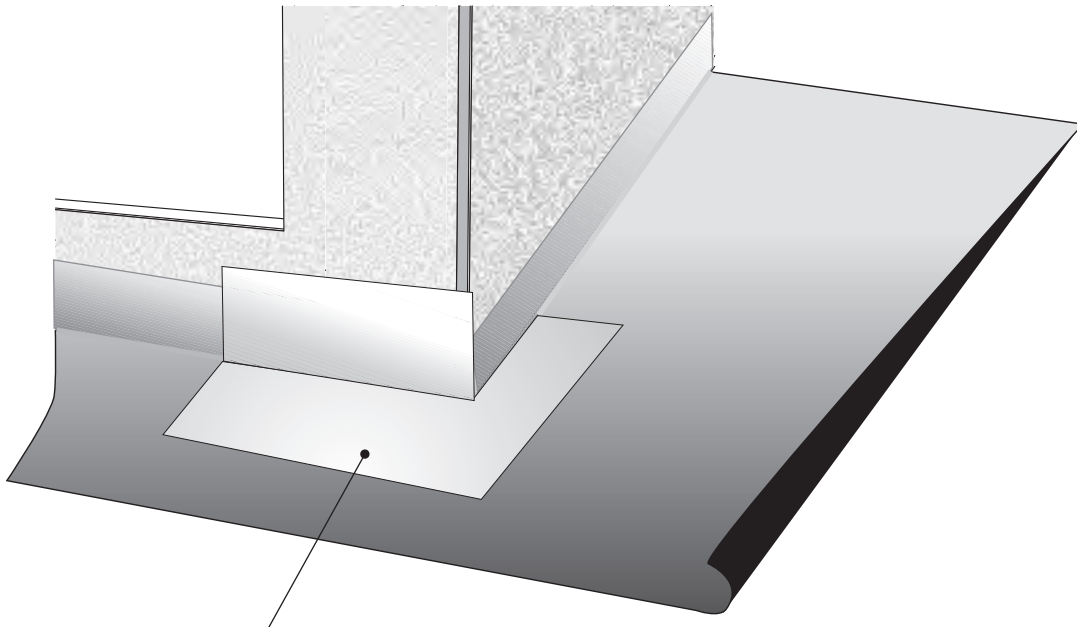
1. Locate (2) two 45-1/2" long 2x4s with angle cut on one end. Install these under roof sheathing on each side. The 2x4s will extend 3/8" past OSB on front panel. Nail to panels using (5) five 10d sinkers each.
2. Nail along bottom edge of roof sheathing into 2x4s. Use 6d common nails.



At this point repeat all previous steps to install 2nd dormer. The installation of siding and trim will be installed after shingles and flashing have been installed.

Step 6A Install Dormer Flashing

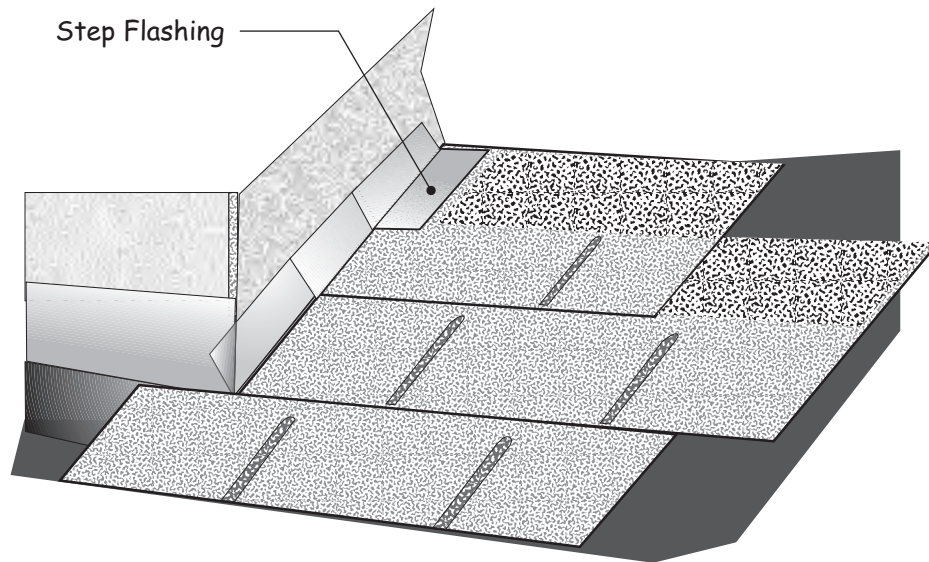
1. Staple felt paper, *purchased separately*, over roof sheathing and lower portion of dormer walls.



2. Install 7"x41" metal flashing along the dormer. Cut flashing around dormer. Use roofing nails, *purchased separately*.

Step 6B Install Dormer Flashing - Continued

2. Install roof shingles according to the manufacture's instructions on the wrapper. Install shingles along eave of roof and over previously installed flashing on front of dormers. Continue along side panels by interlacing step flashing as you install shingles up roof. Once shingles and step flashing are installed to the top of the side panels go to next step. **Do not continue to shingle.** After siding and trim are installed you can continue installing shingles to peak.

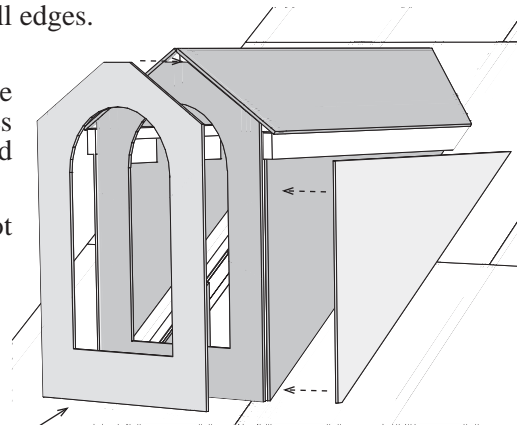


Step 7 Install Primed Exterior Siding

 Before installing primed siding paint all edges.

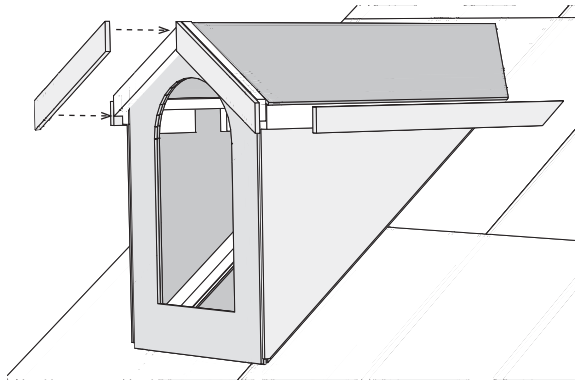
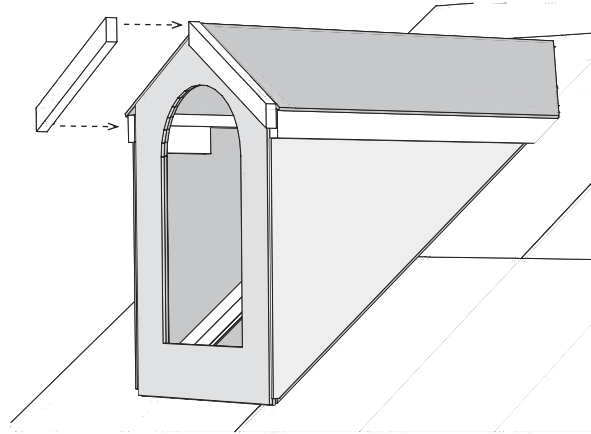
1. Install siding on the side panels under the 2x4s. The siding should not touch shingles to prevent damage from moisture. Use 6d galv. nails along perimeter of siding.
2. Install siding on front. Siding should not touch shingles.

Siding Should
Not Touch Shingles



Step 8 Gable Overhang & Trim

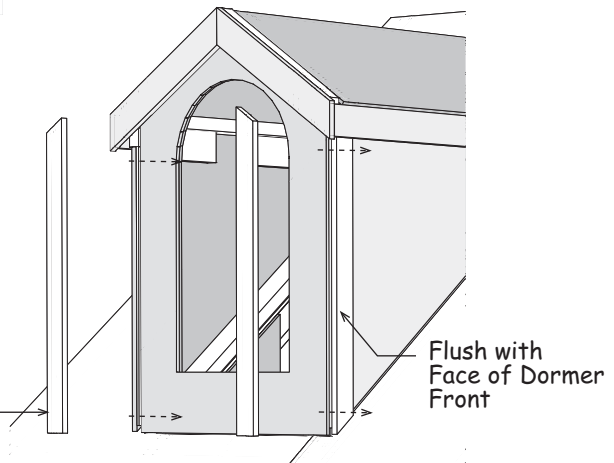
1. Install (2) two 20" long 2x3 boards flush with top of the roof sheathing on dormer front. Use 6d common nails.



2. Install (2) two 46-1/2" 1x4 trim board over 2x4s on side panels flush with face of 2x3s on front of dormer and under roof sheathing. Trim should not touch shingles. Use 6d galv. nails.
3. Install 20-3/4" long 1x4 trim boards flush with top of 2x3s. Use 6d galv. nails.

4. Install (2) two 32-3/4" 1x3 trim boards under eave on side panels. Edge should be flush with face of siding on dormer front.
5. Install (2) two 35-1/4" 1x3 trim boards under gable overhang. Edge should be flush with face of trim on side panels.
6. Caulk, *purchased separately*, around window opening and install windows with screws provided.

1x3-35-1/4" Trim



 Finish shingles to peak of building and on dormer roofing.