



Best Barns USA Assembly Book

Revised January 13, 2022



the Denver

12' x 20'

Manufactured by Reynolds Building Systems, Inc.
205 Arlington Drive Greenville, PA 16125

This manual is copyrighted. Under the copyright laws, this manual may not be copied, in whole or in part, without consent from Reynolds Building Systems, Inc. © Copyright 2011

IMPORTANT INFORMATION ABOUT YOUR SHED KIT

Download the most current instruction book at www.barnkits.com; use the "manuals" link on the menu bar and then select your building kit and size.

Thank you for purchasing our shed kit. Read the instructions before starting the assembly of the building. If you have any questions about assembling the kit, call 800-245-1577. Business hours (8:00-5:00 ET) Monday thru Friday. After business hours call 724-866-4357. or email to help@barnkits.com.

The material that is included in our kit is listed on the back page. The optional floor package, if purchased, will be supplied by a local lumber supplier.

Our kit does not include the shingles, the quantity needed is listed on the back page. The siding is primed. You will need to apply a finish coat using latex acrylic paint.

Some of the framing lumber was used in the shipping pallet. Unpack the material from the pallets. Unscrew the OSB panels and the 2x4s from the shipping pallet. The 2x4s will be used for wall bracing and to support the loft beams. The bit for the screws is packed in the hardware bag.

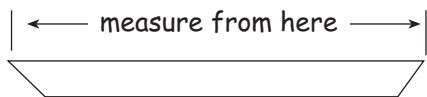
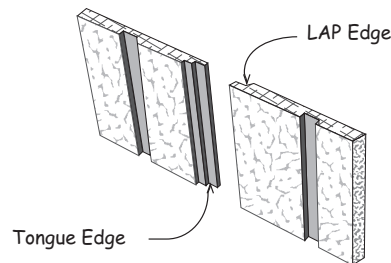
Most buildings are installed on a wood floor and the siding was designed to extend over the wood flooring. If the foundation is a concrete floor cut the siding flush with the bottom of the wall plate to prevent the concrete from contacting the siding.

Stacking the boards, according to size, will make them easier to find when needed. **Do Not** discard any material until your building is complete.

Before you begin construction, be sure to study this assembly manual. Also, obtain a building permit and check all pertinent building code regulations for your area.

Thank you for your purchase.

To identify which edge we want you to use, we will refer to the edge as either the 'LAP' Edge or the Tongue Edge.



When measurements are given for a board length or width, it is from the longest side.

Tool List

- | | |
|---|--|
| <input type="checkbox"/> Hammer & Hand Saw | <input type="checkbox"/> Power Drill/screwdriver |
| <input type="checkbox"/> Framing Square & Level | <input type="checkbox"/> Measuring Tape |
| <input type="checkbox"/> Power Circular Saw | <input type="checkbox"/> 2-8' Step Ladders |

Always wear safety glasses when cutting or nailing!

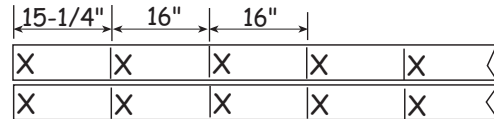
Constructing Details for Deluxe Floor System

Deluxe floors include 4x4 runners, standard floors do not.

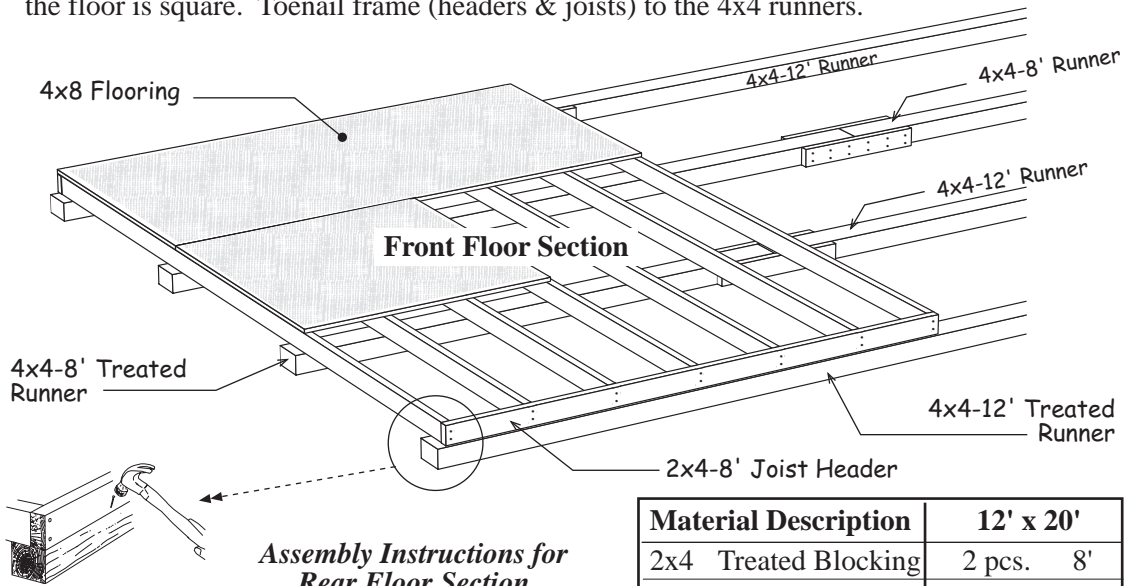
Foundation size is 12'-0" x 20'-0". Check local building codes in your area, the construction may have to change. For a concrete slab, install sill sealer as a moisture barrier between the concrete and the wall plates. Foam sill sealer can be purchased at home centers in rolls 3-1/2" or wider.

1. Stagger the 4x4 timbers as shown below. Cut (2) two 2x4- 8' boards into 2' long blocks to secure the 4x4s where they butt together.

2. Cut (2) two 2x4-8' to a length of 8' -0". They will be used for the joist headers. Layout, from left, for 16" on center joist spacing. 'X' marks where floor joist will be placed.




3. Cut (17) seventeen 2x4-12' treated boards to 11' -9". These will be the floor joists. *Treated lumber may be thicker than 1-1/2". Take this into account when cutting the length of floor joists. Shorten joist measurements if necessary to obtain 12'-0" building width.*
4. Install the floor joists cut above between the 8' joist headers. Secure with 16d galv. deck nails.
5. Place floor assembly over the 4x4s. Square floor assembly. Measure the floor diagonally (corner to corner) and then the opposite corners; these measurements will be the same when the floor is square. Toenail frame (headers & joists) to the 4x4 runners.



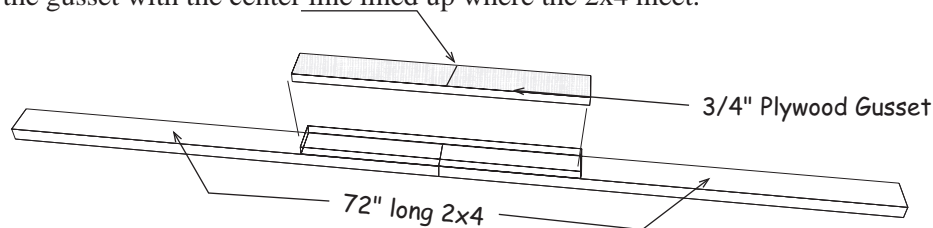
6. Cut (2) two 2x4-12' to a length of 12' -0". Layout for 16" joist spacing, *See above.*
7. Install floor joists between the joist headers. Square the floor section and install against the section assembled above. Toenail to the 4x4s runners.
8. Install 4x8 flooring over the 2x4s. Use 8d galv. spiral nails spaced 8" apart.

Material Description	12' x 20'
2x4 Treated Blocking	2 pcs. 8'
2x4 PT Joist Headers	2 pcs. 8'
2x4 PT Joist Headers	2 pcs. 12'
2x4 PT Floor Joist	17 pcs. 12'
4x4 Treated Runners	4 pcs. 8'
4x4 Treated Runners	4 pcs. 12'
Flooring 5/8" or 3/4"	8 pcs. 4x8
Galv Spiral Floor Nails	3 lb. 8d
Galvanized Deck Nails	5 lb. 16d

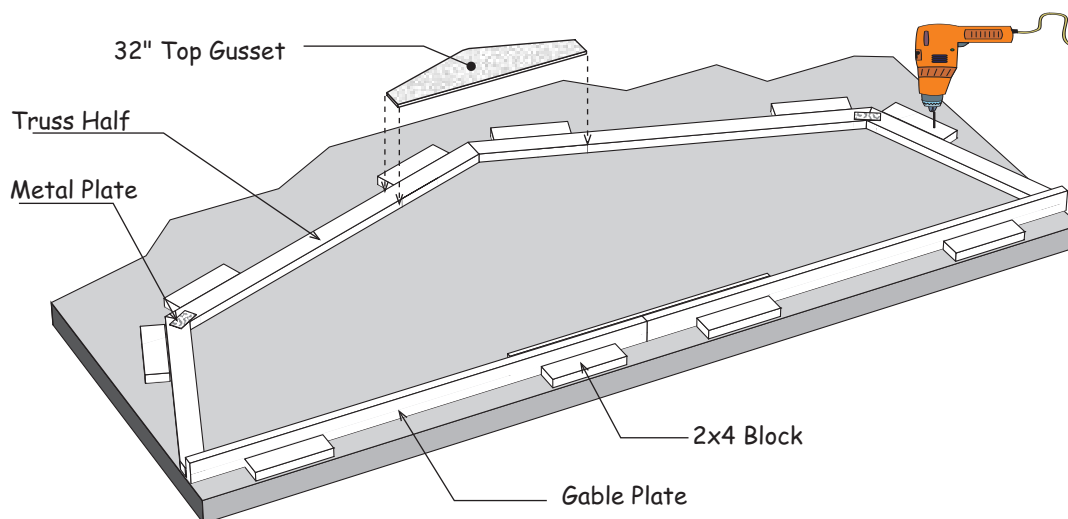
Step 1 Assemble Trusses

 Temporarily screw 2x4 blocks to the floor to insure that all the trusses are assembled the same. Short 2x4s, that may have an angle on one end, are supplied in the kit.

1. Butt (2) two 72" long 2x4s together and secure them by nailing a 3-1/2" x 42-3/4" long plywood gusset across the top where they butt together. Use glue and 6d common nails. Install the gusset with the center line lined up where the 2x4 meet.



2. Repeat to assemble another Gable Plate.
3. Position a Gable Plate on the floor. Use 2x4 blocks to hold the 2x4 plate straight.
4. Position (2) two truss halves (2x4s connected with a metal plate) with the short legs against the 2x4 Gable Plate. **DO NOT** attach the Gable Plate Assembly to the truss. It is temporarily used to help hold the 2x4 truss parts in place and will be used in a later step.
5. Secure 2x4 blocks around the perimeter of truss to hold truss parts in place.



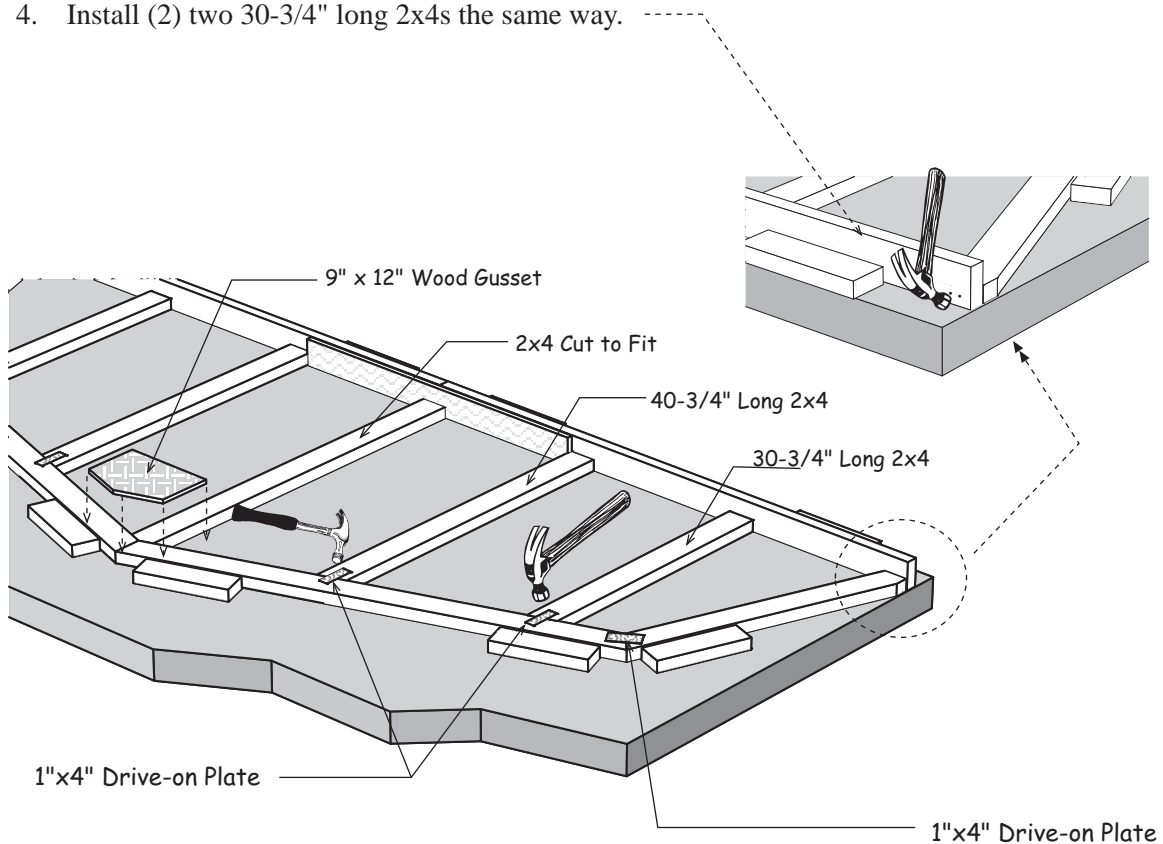
6. Secure the 2x4s at the peak with a 12" x 32" wood gusset. Apply wood glue between the gusset and truss and nail with (25) twenty-five 6d common nails.
7. Turn the truss over and install a gusset to the other side of the truss.
8. Repeat this process to assemble (8) eight more trusses.

 Set these trusses aside. **DO NOT** use trusses for assembling the roof gables.

Step 2 Assemble Roof Gables

 **DO NOT** use pre-assembled truss halves for assembling the roof gables.

1. Place (2) two 61" long and (2) two 34-3/4" long 2x4 gable rafters in the truss jig and secure with 1"x4" drive-on plates where they meet at the knee.
2. Cut a 50" long 2x4 to length and install in the center of the gable. Toenail the bottom to the plywood gusset with 10d sinkers. Secure the top with a 9" x 12" wood gusset.
3. Butt (2) two 40-3/4" long 2x4s against the wood gusset. Secure the bottom to the 2x4 plate by nailing through the plate with (2) two 10d sinkers. Secure the top with barbed plates.
4. Install (2) two 30-3/4" long 2x4s the same way.



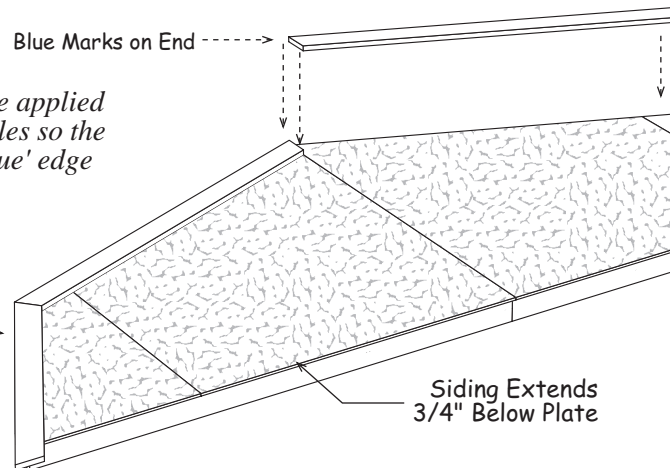
6. Repeat steps to assemble the front roof gable.

Step 3 Apply Siding and Trim to Roof Gables

1. Remove 2x4 blocks and turn the gable frame over.
2. Install pre-cut siding on rear gable. Bottom of siding extends 3/4" below the gable plate. Use 6d galv. nails spaced 12" apart.
3. Install (2) two 61" long 1x4 gable trim flush with the top edge of the gable. Install the ends with blue marks together. Install trim with 6d galv. nails.

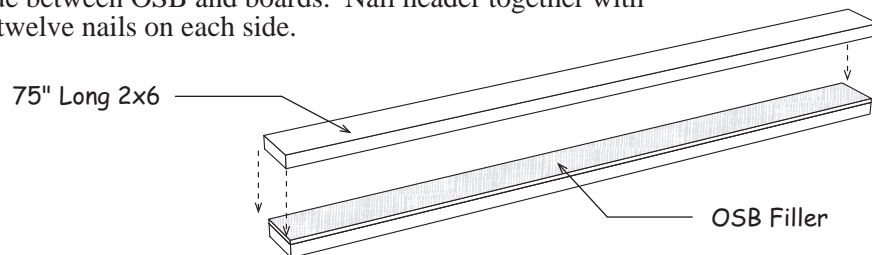
Note: Gable siding may need to be applied from right to left on one of the gables so the 'LAP' edge will lap over the 'Tongue' edge on the adjoining siding panel.

4. Install (2) two 42-1/2" long 1x4 gable trim flush with the side edge of the gable.
5. Install trim on the front gable.

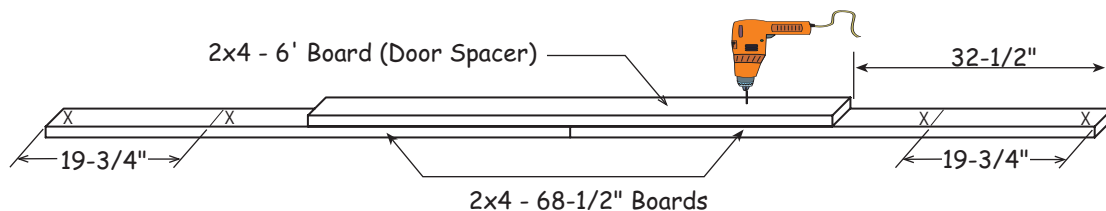


Step 4 Assemble Door Header & Bottom Wall Plate

Assemble door header using (2) two 75" long 2x6 boards and a 75" OSB filler panel. Apply wood glue between OSB and boards. Nail header together with 10d sinkers. Use (12) twelve nails on each side.



Butt (2) two 68-1/2" boards together. Center a 2x4-6' board (used as door spacer) on top and screw the boards together using (4) four 2-1/2" wood screws. Mark stud spacing as shown below.

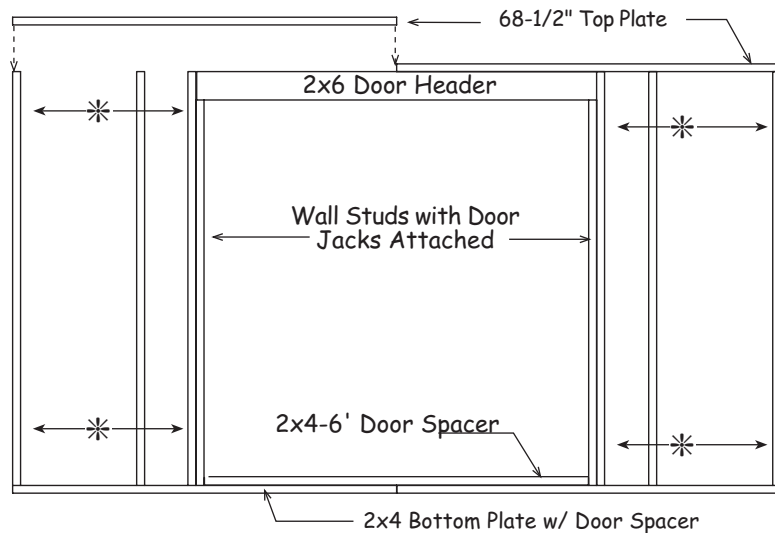


Step 5 Assemble Front Wall

1. Gather the material listed below to assemble the door wall.
2. Install (4) four 80-1/4" wall studs over the 'X' marks.
3. Install the wall studs with the door jacks on each side of the door spacer.
4. Install door header on the door jacks.

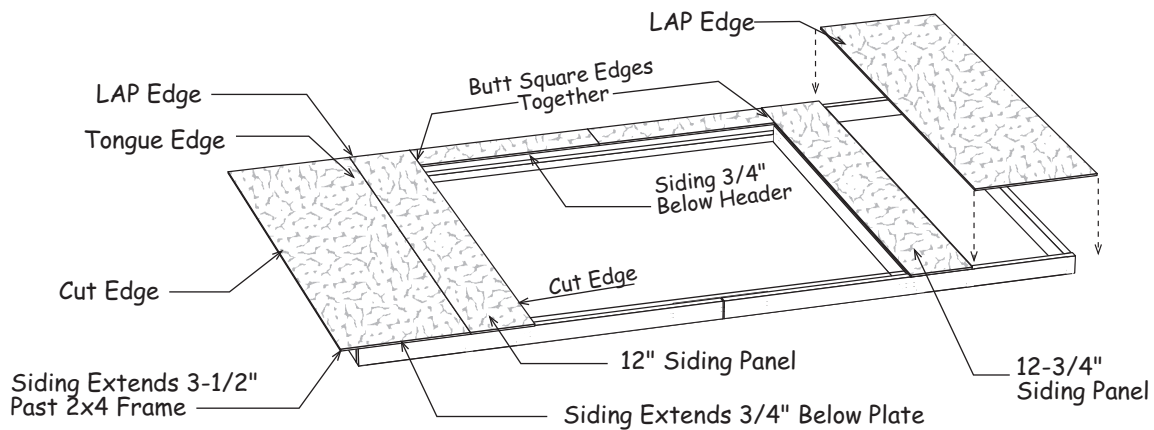
Material List	
2	68-1/2" Wall Plates
4	80-1/4" Wall Studs
2	80-1/4" Wall Studs w/ door jacks attached
1	Door Header from Step 4
1	Bottom Plate from Step 4

* Check measurements. They should be the same or the door opening will not be square!



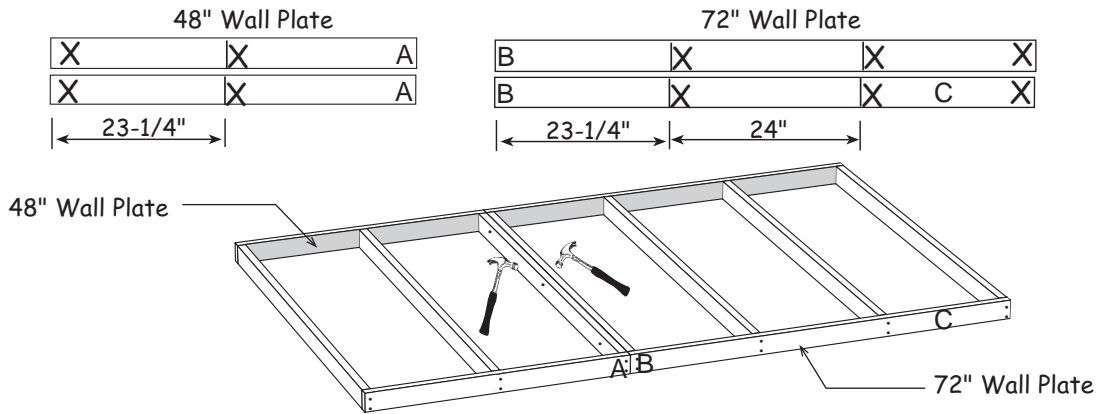
 *Cut the siding flush with the bottom plate if installing on a cement slab.*

5. Locate a 12" siding panel that has a 'LAP' edge. Position the 'cut' edge flush with the left side of the door opening. **Do not** nail the 'LAP' edge until the other siding is applied. Siding should extend 3/4" below the bottom plate. Use 6d galv. nails spaced 8" apart.
6. Select the 24" wide siding panel, with the 'tongue edge', and install this siding panel at the left end of the wall frame as shown below.
7. Install (2) two 7-3/4" pre-cut siding panels over the door opening, flush with the top plate.
8. Install a 12-3/4" siding panel with the 'cut' edge flush with the side of the door opening.
9. Install the last siding panel. It will extend 3-1/2" beyond the 2x4 wall frame.

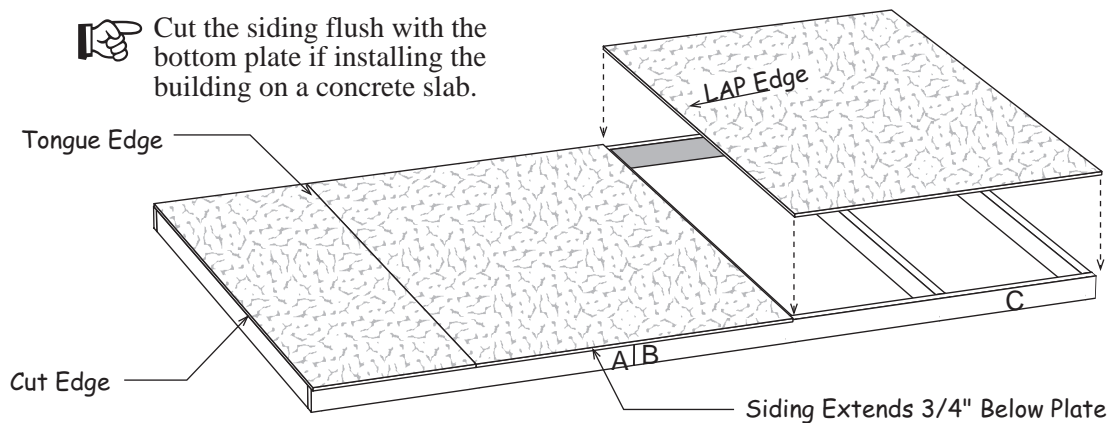


Step 6A Assemble 10' Side Walls

1. Position (2) two 2x4-48" boards and (2) two 2x4-72" boards together and indicate with 'X' marks where the wall studs will be located. Mark the ends that will butt together with the letters 'A' and 'B'. Mark right side end with a 'C'. This will be referenced in a latter step.



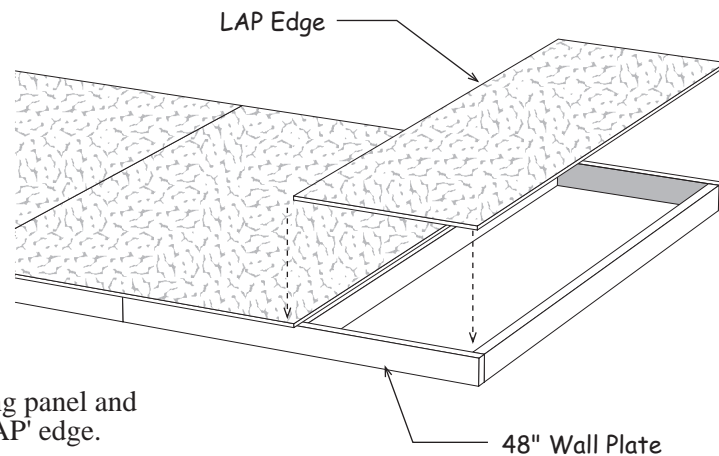
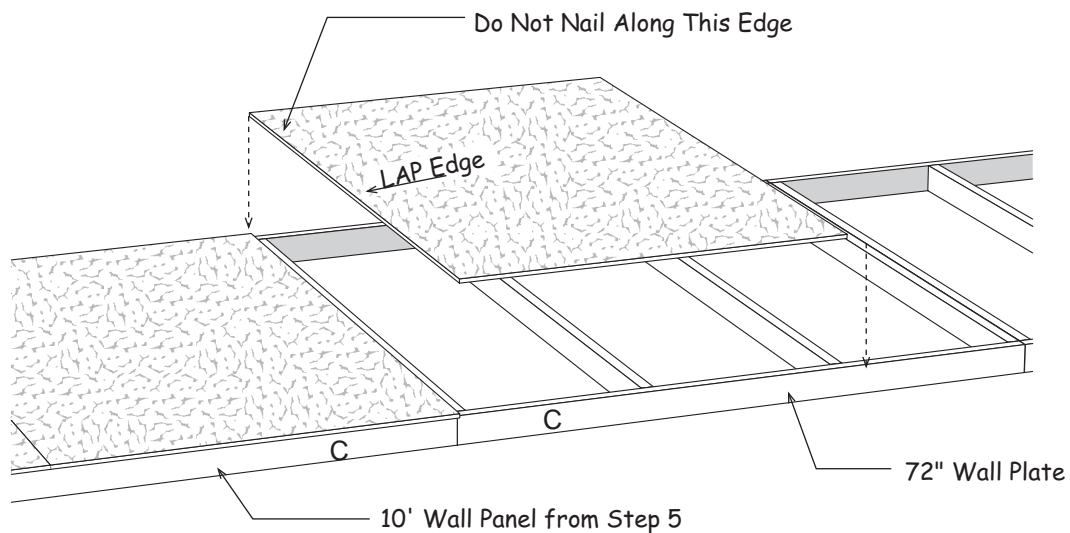
2. Install (7) seven 80-1/4" long wall studs between the wall plates. Use (2) two 10d sinkers at each end of stud. Nail the frames together with (4) four 10d sinkers on each side.
3. Repeat to assemble (3) three more 10' long side wall frames. **You will need to cut (2) two 64" long 2x4s to a length of 48"** to assemble the last 48" wall frame.
4. Square wall frame. *Measure diagonally (corner to corner); the measurements will be the same when the wall is square.*
5. Cut one of the 48" wide siding panels in half lengthways. Select the half, with the 'tongue' edge, and install this panel with the 'cut' edge flush with the end of the wall and extending 3/4" below the bottom plate. Use 6d galvanized nails spaced 8" apart. LAP edge panel will be used in next step.
6. Install (2) two more siding panels.



7. Select (1) one of the 10' wall frames and repeat steps 4-6 to apply siding.

Step 6B Assemble Side Walls for 20' Building Length

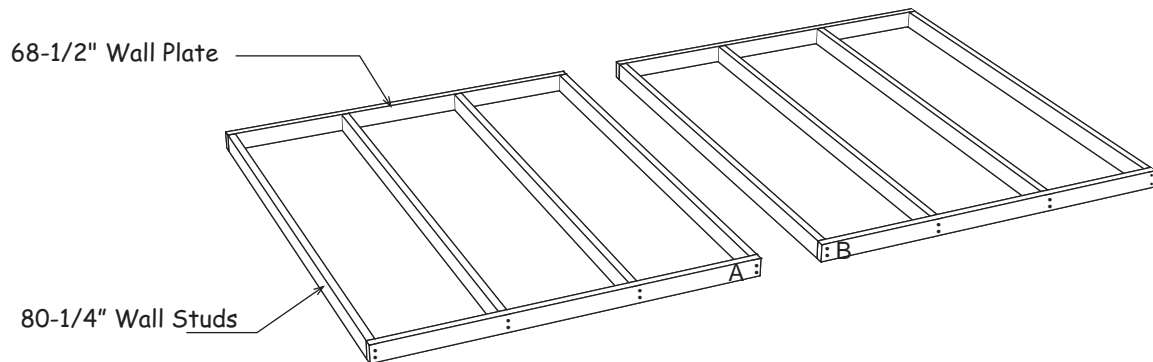
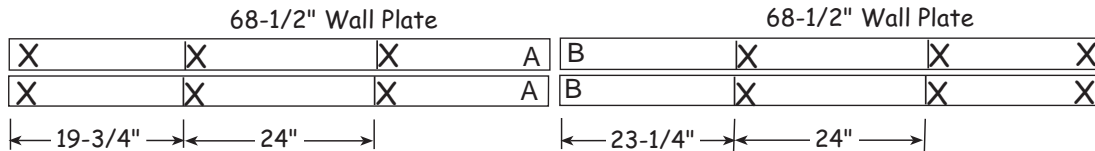
1. Select one of the 10' side walls with siding. Butt a 10' wall frame against this wall with the 'C' marks together. **Do Not** nail these frames together so they can be separated later.
2. Square the wall frame. Install a full width siding panel using 6d galvanized box nails spaced 8" apart. **Do Not** nail along the long edge that overlaps the sided wall frame. You can nail this edge after the wall panels are installed. This will enable you to separate the wall panels making them easier to handle.



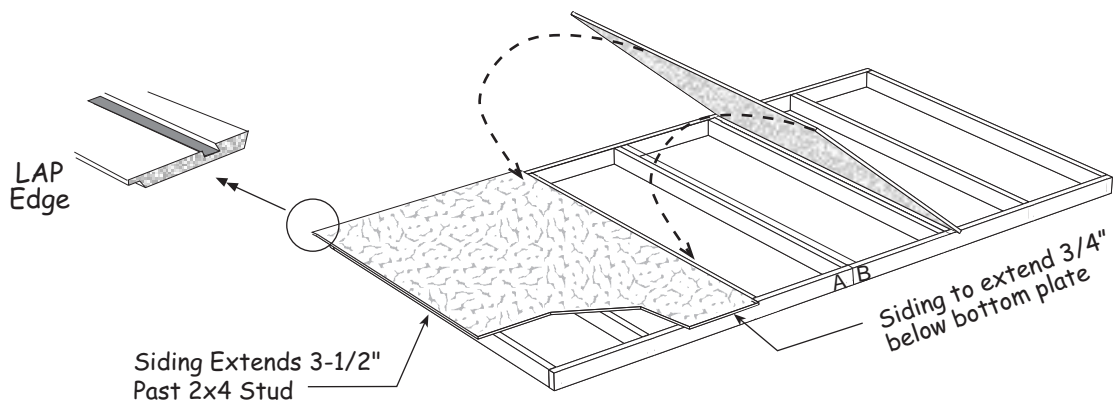
3. Install another full width siding panel and a 2' wide siding panel with 'LAP' edge.
4. Repeat to apply siding to the other 10' wall frame.

Step 7 Assemble Back Wall

1. Position (4) four 68-1/2" 2x4 boards together and indicate with 'X' marks where the wall studs will be located. Mark the ends that will butt together with the letters 'A' and 'B'.
2. Install (8) eight 80-1/4" long wall studs, between the wall plates, over the 'X' marks and where the plates meet. Use (2) two 10d coated sinkers at each end of a stud. Nail wall sections together using (4) four 10d coated sinker nails, on each side of the studs.

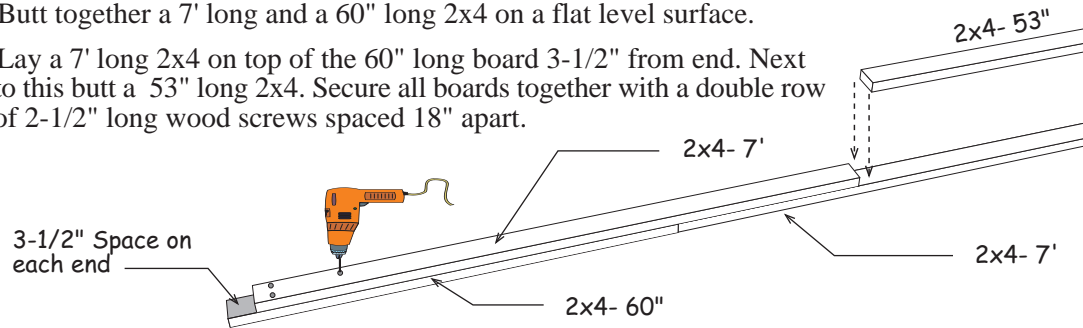


3. Square wall frame. *Measure diagonally (corner to corner); the measurements will be the same when the wall is square.*
4. Install the 1st siding panel with the 'LAP' edge extending 3-1/2" past the wall frame. Use 6d galvanized box nails spaced 8" apart. The bottom will extend 3/4" below the bottom plate, or trim flush for cement slab.
5. Install (2) two more siding panels. Cut the last panel to extend 3-1/2" beyond the wall frame.

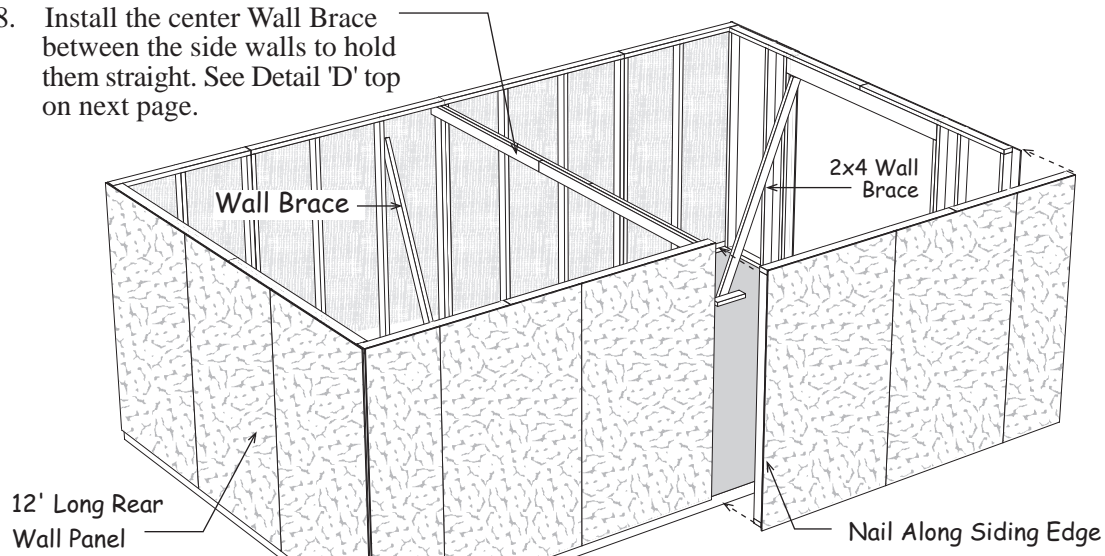


Step 8A Build Center Wall Brace & Set Walls

1. Remove (2) two 7' long 2x4s from one of the shipping pallets.
2. Cut one of the 2x4s to a length of 53". Cut the other board to a length of 60". Save cut-offs.
3. Butt together a 7' long and a 60" long 2x4 on a flat level surface.
4. Lay a 7' long 2x4 on top of the 60" long board 3-1/2" from end. Next to this butt a 53" long 2x4. Secure all boards together with a double row of 2-1/2" long wood screws spaced 18" apart.



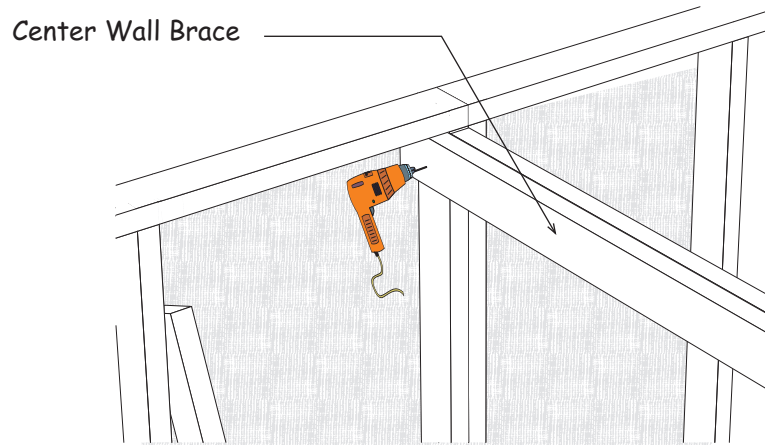
5. Set the back wall panel between (2) two 10' long side walls. Position the 'C' mark toward front of building. Secure wall panels together at the corners using (4) four 10d sinkers per corner.
6. Install the next (2) two side walls with the 'C' mark towards back of building. Nail with 10d sinkers. Nail siding edge where panels overlap.
7. Install front wall between the side walls. Nail along the siding edge where the side wall siding panels overlap.
8. Install the center Wall Brace between the side walls to hold them straight. See Detail 'D' top on next page.



10. Remove the 2x4 door spacer and install it in the door opening to brace the front wall.
11. Cut and remove the bottom 2x4 in the door opening.

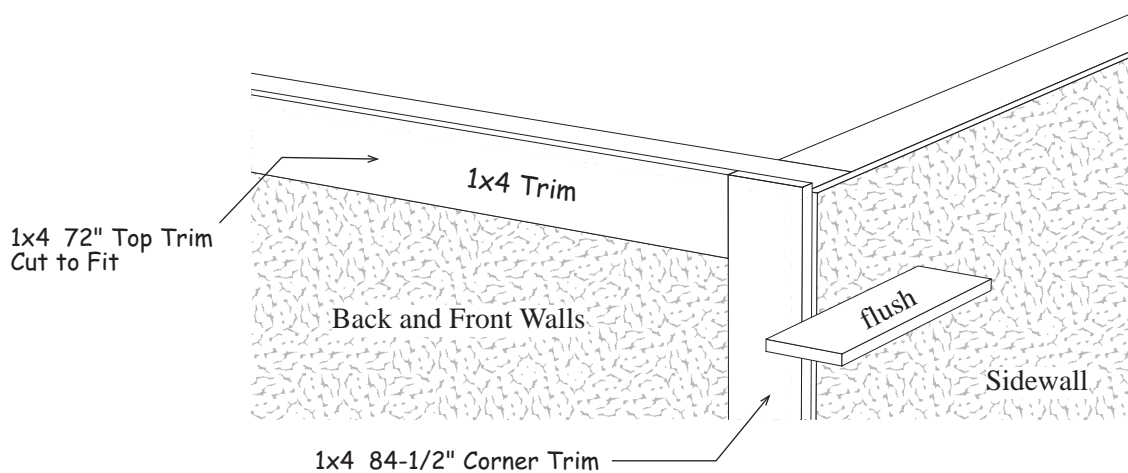
Step 8B Build Center Wall Brace & Set Walls

12. Install the center Wall Brace in the center of the building between the side walls. Make sure the side walls are plumb. The shorter 2x4s will butt against a wall stud. Secure the longer 2x4 to the side of the stud with (2) two 3" long wood screws.



Step 9 Install 1x4 Trim

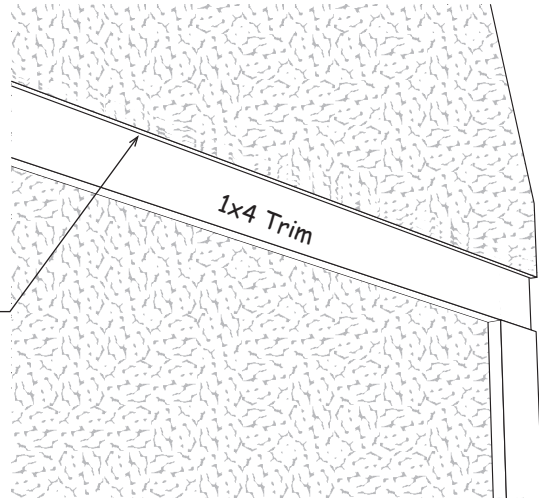
1. Install (2) two 84-1/2" long 1x4 corner trim on the back wall, flush with the siding on the sidewall and the top 2x4 wall plate. Use 6d galv. nails.
2. Install (2) two 1x4-72" trim boards across the top of the back wall. Cut to fit. Install the 1x4 boards flush with the top of the 2x4 top plate. *See diagram below.*
3. Repeat steps for front wall trim.



Step 10 Install Roof Gables

1. Install the rear gable on the rear wall. The siding on the gable must extend over the 1x4 trim board. *See detail.* Nail the gable to the 2x4 wall plate with 10d sinkers.
2. Install gable on front wall.

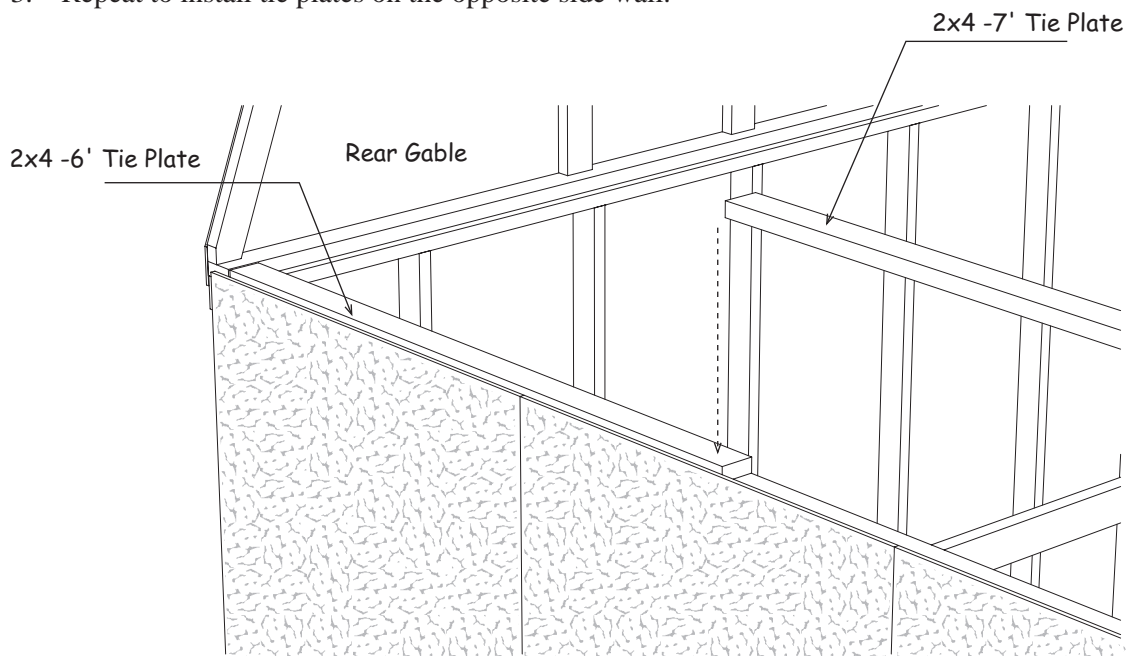
Bottom Edge of
Gable Siding



WARNING: The roof gables are heavy and awkward. You'll need helpers to lift and set gables in place.

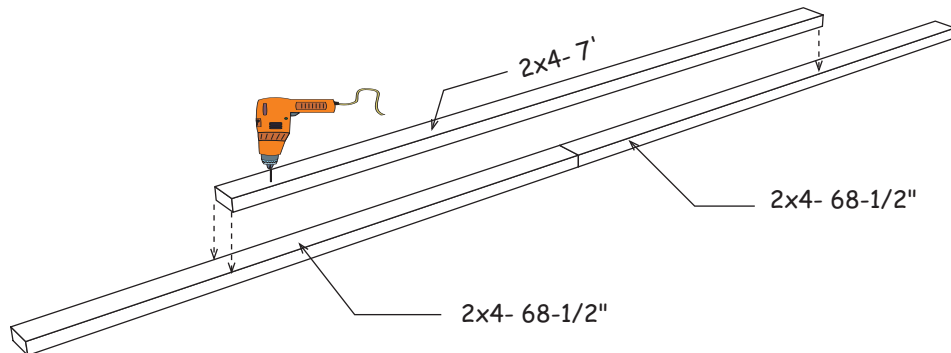
Step 11 Install 2x4 Tie Plates on Side Walls

1. Install a 6' long 2x4 board as a tie plate over the side wall plate. Use 10d sinkers.
2. Install a 7' long 2x4 and cut another 7' long 2x4 to finish.
3. Repeat to install tie plates on the opposite side wall.

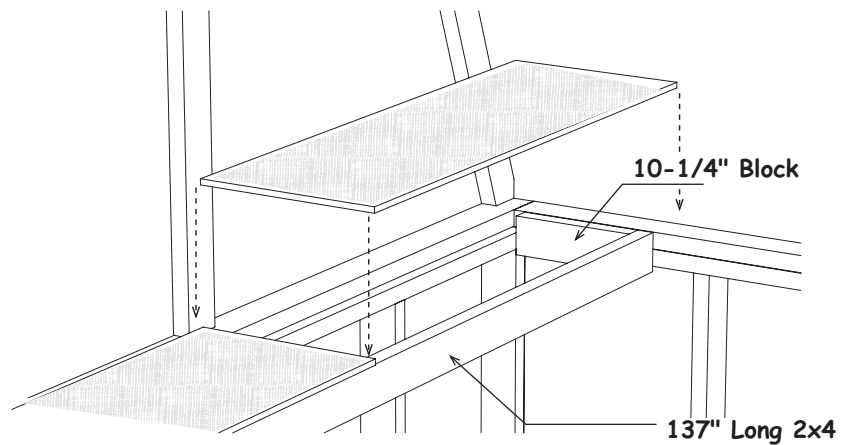


Step 12 Install Gable Support Shelf

1. Remove the 7' long wall braces.
2. Butt (2) two 68-1/2" long 2x4s together. Center one 2x4-7' over the 2x4s and secure them with 2-1/2" wood screws spaced 18" apart.
3. Repeat to assemble another gable shelf board.



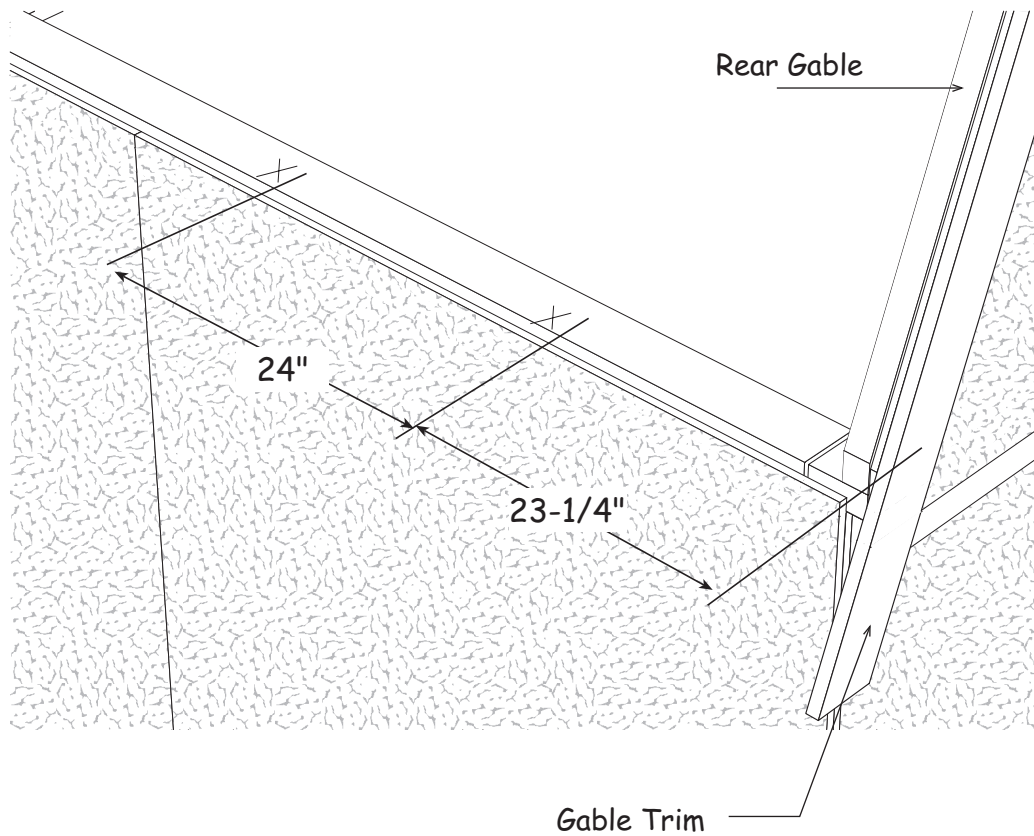
4. From cut-offs from Step 8 cut (2) two 2x4s to a length of 10-1/4".
5. Nail the 2x4 blocks to the rear corners, flush with the top of the 2x4 tie plate and against rear wall. Use (4) four 10d sinkers.
6. Nail one of the boards you assembled in previous step to blocks. Use 10d sinkers.
7. **Make sure the walls are square to each other.** Nail (2) two 15" x 72" OSB panels across the 2x4 gable plate (notch around plywood gusset) and the 2x4s. Use 6d common nails.
8. Repeat steps 4-7 to install support shelf at the front wall.



Step 13 Layout Roof Trusses

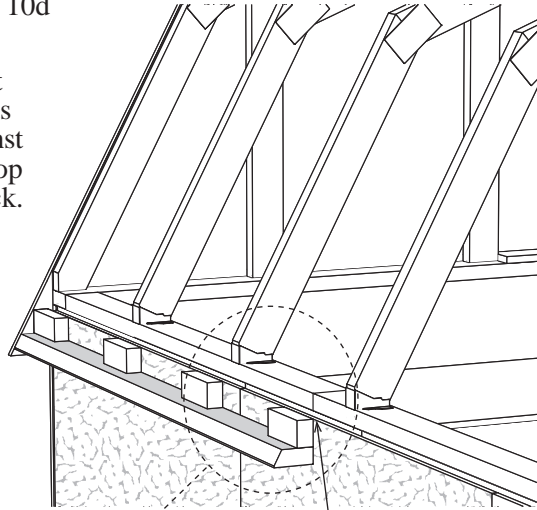
Starting at the back of the building, layout the truss spacing. Measure from the face of the gable trim to mark the location of the first truss. The last truss space will be more than 24".

Important: When marking the opposite wall, place the 'X' mark on the same side of the line so your trusses are parallel when they are installed.



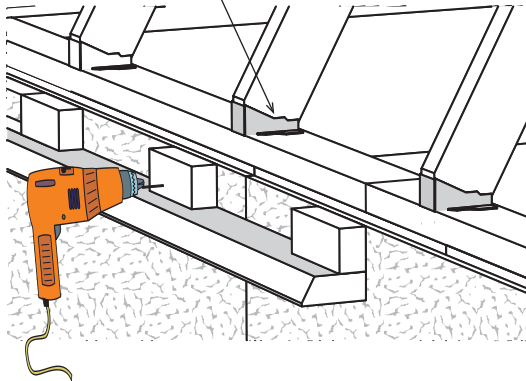
Step 14 Install Trusses & Soffit Boards

1. Place trusses over the 'X' marks and secure trusses to 2x4 truss plate using 2x4 hangers secured with 10d coated sinker nails. See Detail 'E'.
2. Locate (3) three 65-1/4" long soffit boards that have a beveled edge. Install one of these boards flush with the top of the siding and butting against the rear gable trim. Secure soffit board to the top wall plate with 3" long screws in each 2x3 block.
3. Install (2) two more soffit boards.
4. Install a 4' soffit board behind 1x4 trim on the front gable. Cut to fit.
5. Repeat to install soffit boards on opposite side wall.

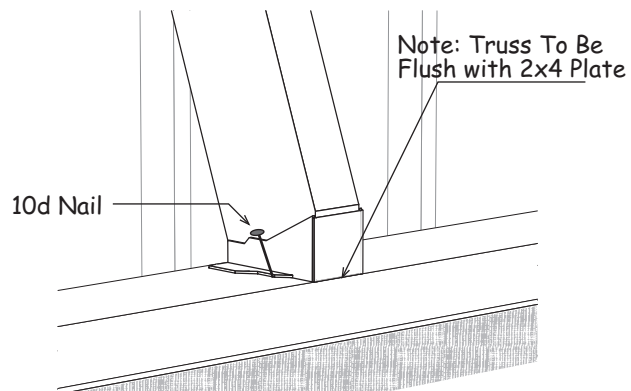


Soffit Board
Flush With Siding

Metal Truss Hanger




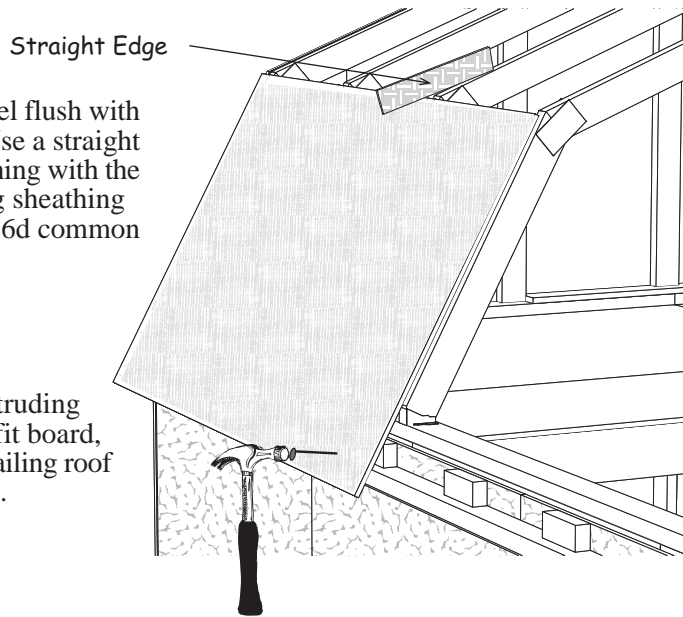
DETAIL 'E'



Step 15 Install Roof Sheathing

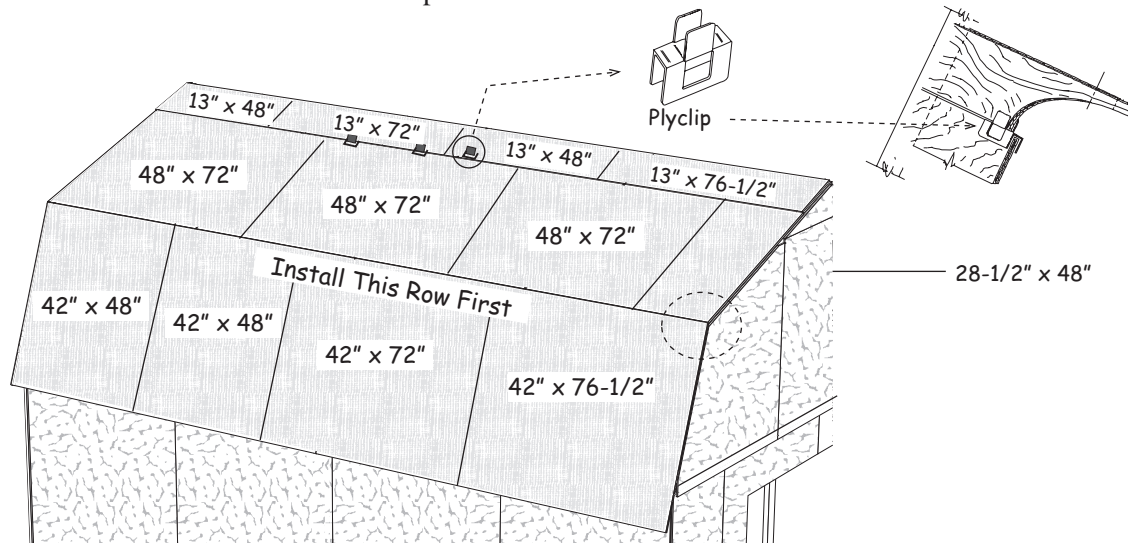
1. Install a 42" x 48" OSB roof panel flush with the face of the rear gable trim. Use a straight edge to align the top of the sheathing with the top of the truss. Continue adding sheathing following the layout below. Use 6d common nails, spaced 8" apart.
2. Repeat step for opposite side.

 To prevent the nails from protruding through the bottom of the soffit board, do not nail at an angle when nailing roof sheathing to the soffit boards.



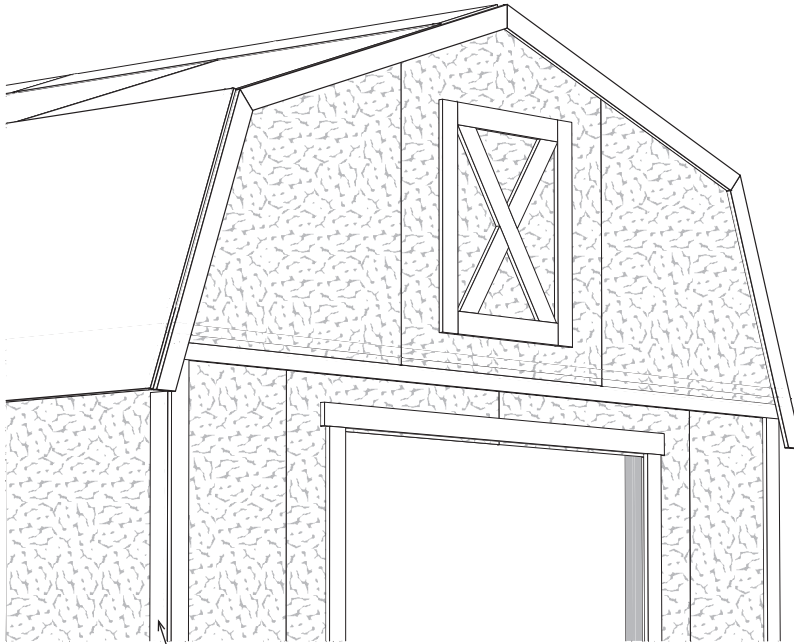
3. Apply roof sheathing across the top of the roof. There will be an air space at the peak of the trusses to allow for ventilation.

Insert (2) two plyclips into the roof sheathing between each truss at the top row.



Step 16 Install Front Trim

1. Install loft door trim panel on the front gable by screwing through the back of the siding with 1" galv. screws.

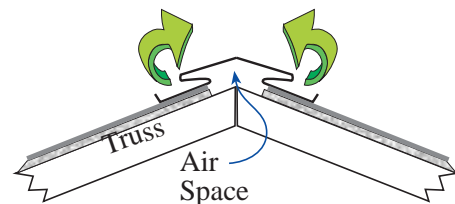


2. Install 80" long 1x4 trim boards on the corners of the side walls.
3. Install 1x4x76-3/4" trim boards along each side of the door opening. Tack these boards with a couple nails; you may want to move the trim later when you install the doors.
4. Install a 1x4x81-3/4" board, *that has angle cuts on both ends*, over the door opening.

Step 17 Install Roofing — Not Supplied in Kit

Install metal roof edging perimeter of the roof area. If you are not installing shingles at this time, you can purchase felt paper to protect the sheathing. Install the felt paper before you install the metal roof edge.

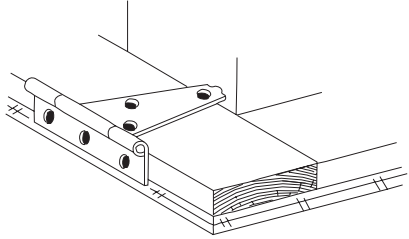
Install shingles according to the instructions on the wrapper. If you need more detailed instructions on installing shingles, there are good publications at book stores or newsstands.



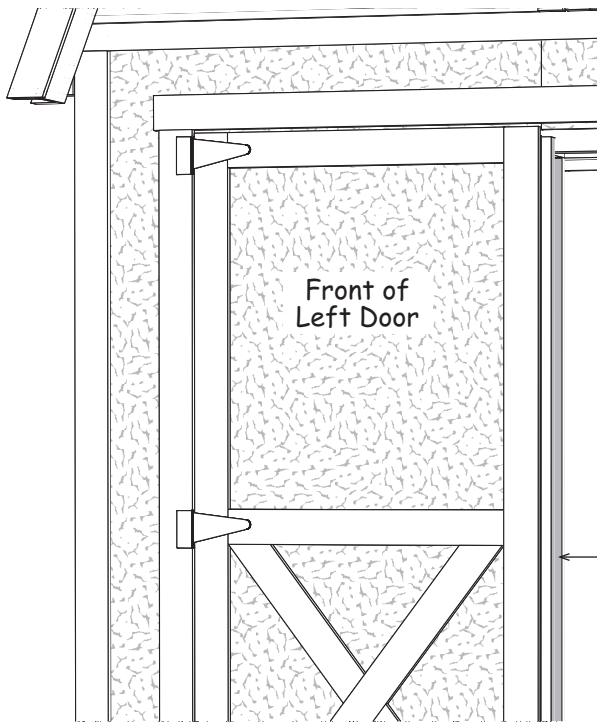
Optional ridge vent provides ideal ventilation.

Building Tip: Install ridge vent in lieu of shingles caps. Ridge vent provides ideal ventilation, preventing heat and moisture from damaging your building or its contents.

Step 18 Install Doors



1. Lay the left door with the trim facing up. The siding on the left door extends past the door trim. See detail below.
2. Install 5" hinges to the left side of the door frame. To position the hinge properly, hold the rectangular plate against the frame. Use 1-3/4" black screws.
3. Install hinges to the right side of the other door.

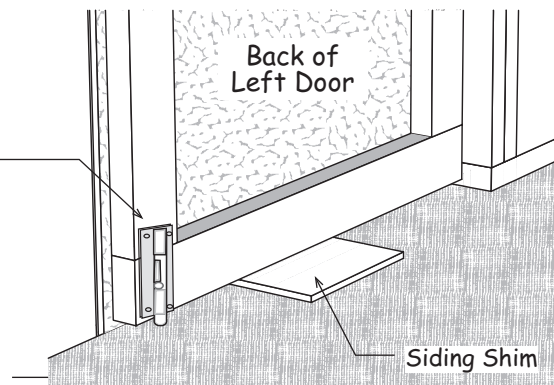


Before you fasten the hinges to the door trim, temporarily prop the doors in the opening. *Tip; set the door stop on a piece of siding to help hold the door in place.* Leave a space between the doors and the side trim to allow room for the doors to expand when they absorb moisture.

If your door opening is out of square, the space around the doors will not be even. You can reposition the side trim to make allowances for this. The side trim does not have to be flush with the frame of the door opening. You can move the trim in or out to make the door spacing equal.

Secure hinges to trim with 1-3/4" screws.

6. Install a barrel bolt, on the lower back of the door to secure this door in place when closed. Drill a hole for the round shaft to drop into.
7. Install another bolt at the top of the door.
8. Install door latch.



Qty.	<i>2x4 Framing</i>		Size
4	Wall Tie Plates		84 "
40	Wall Studs	black ends	80 1/4"
2	Wall Studs wuth Door Jacks		80 1/4"
15	Wall Plates		72 "
12	Wall Plates		68 1/2"
4	Gable Top Rafter		61 "
4	Gable Side Rafter		34 3/4"
8	Wall & Tie Plate Material		48 "
2	Gable Studs		50 "
4	Gable Studs		40 3/4
4	Gable Studs		30 3/4
	2x6 Framing		
2	Door Header		75 "
	Miscellaneous Lumber		
10	2 4 Blocks for Truss Jig		10" to 12"
1	OSB Door Header Filler		5-1/4" x 75"
18	Wood Gussets for Trusses		12" x 32"
2	Wood Gussets for Gables		9" x 12"
	Lower Wall Siding		Gable Siding
11	48" x 84"		4 48" x 56"
2	12" x 84"		4 24" x 39-3/4"
6	24" x 84"		
2	7-3/4" x 36" - over door opening		
	Pre-built Components		
18	Pre-built Truss Halves		
2	36" x 76" Pre-built Barn Doors		
1	36" x 31" Pre-built Loft Door Frame		
6	3-1/2" x 65-1/4" Pre-built Soffit Boards		
2	3-1/2" x 48" Pre-built Soffit Boards		

Qty.	Description		Size
	Trim		
4	1x4	Gable Trim	61 "
4	1x4	Gable Trim	42 1/2"
4	1x4	Lower Wall Trim	72 "
4	1x4	Corner Trim	84 1/2"
4	1x4	Corner Trim	80 "
1	1x4	Door Trim	81 3/4"
2	1x4	Door Trim	76 5/8"
	Hardware		
5	lb. 10d Sinkers	40	7/16" Plyclips
5	lb. 6d Galv.	1	Bottle Glue
5	lb. 6d Common	50	Black Screws
6	5" Door Hinges	18	Truss Hangers
12	1x4 Drive-on Plate	1	Door Hasp
2	2" Screw Bit	2	Barrel Bolts
		36	2-1/2" Screws
		50	3" Screws
	7/16" OSB Sheathing		
6	48" x 72"		Roof Sheathing
2	42" x 72"		Roof Sheathing
2	42" x 76-1/2"		Roof Sheathing
4	42" x 48"		Roof Sheathing
2	28-1/2" x 48"		Roof Sheathing
2	13" x 72"		Roof Sheathing
2	13" x 76-1/2"		Roof Sheathing
4	13" x 48"		Roof Sheathing
4	15" x 72"		Gable Shelf

Shingles by Owner

14 Bundles Shingles

9 pcs. Roof 'drip' Edge