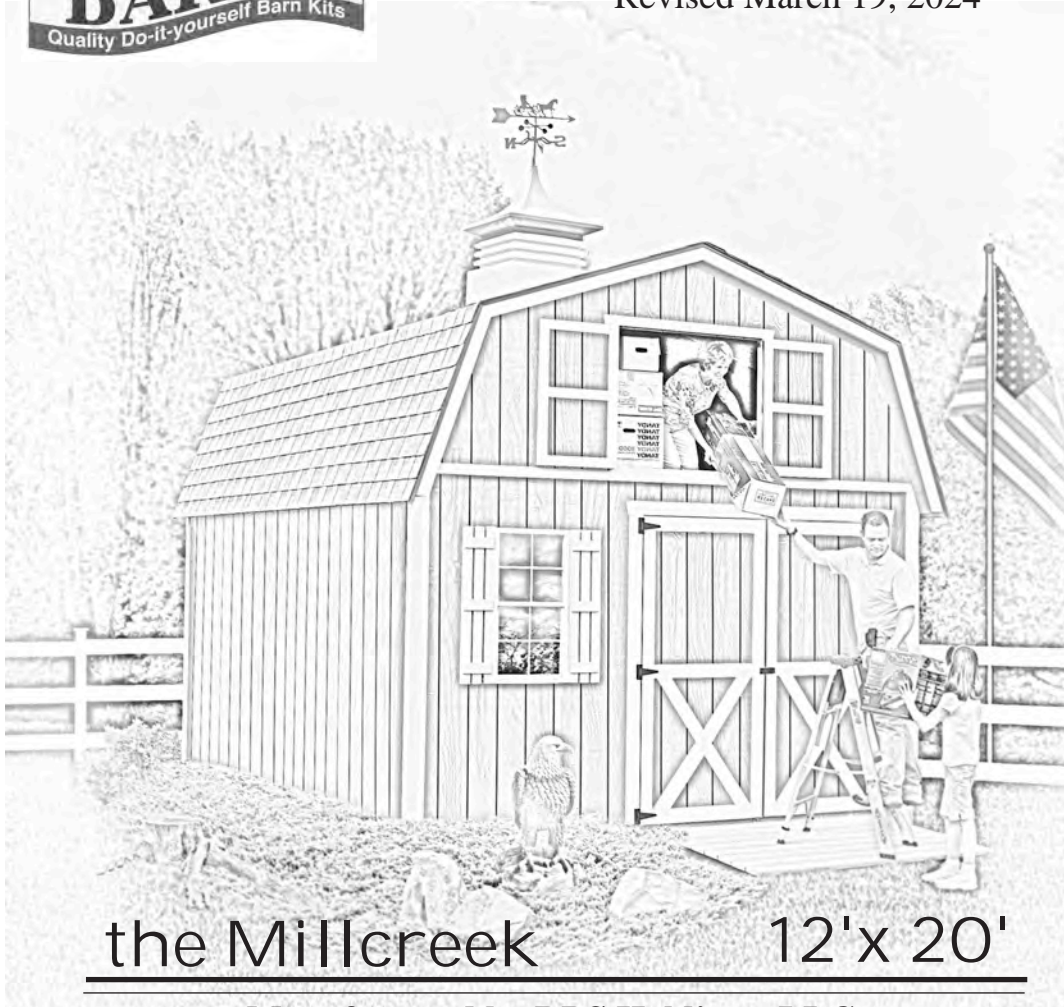




Best Barns USA Assembly Book

Revised March 19, 2024



the Millcreek

12'x 20'

Manufactured by RBS Holdings, LLC

205 Arlington Drive

Greenville, PA 16125

This manual is copyrighted. Under the copyright laws, this manual may not be copied, in whole or in part, without consent from

RBS Holdings, LLC

© Copyright 2022

IMPORTANT INFORMATION ABOUT YOUR KIT

Thank you for purchasing our kit. Please read the following information before beginning construction. Always check with your local HOA or building code office for any requirements or restrictions.

Floor: Wood flooring is sold optionally. You may choose to build your own or pour a cement pad.

Always wear safety glasses when cutting or nailing!

Tools Required:	Hand or Circular Saw	Level	Safety Glasses
	Cordless Drill	Measuring Tape	Dust Mask
	Hammer	6'-8' Ladder(s)	Phillips Screwdriver
	Pencil		Framing Square

Additional Materials - **Not included in kit:**

Windows are purchased separately

Required: Shingles or metal roofing, Drip Edge, Roofing Nails or Screws, Paint

Optional: Caulk, Ridge Vent

Terminology:

Square - Confirm corners are at 90 degrees

Plumb - Confirm walls and trusses are straight vertically

Wall Plate - Top and bottom 2x4s used to frame walls

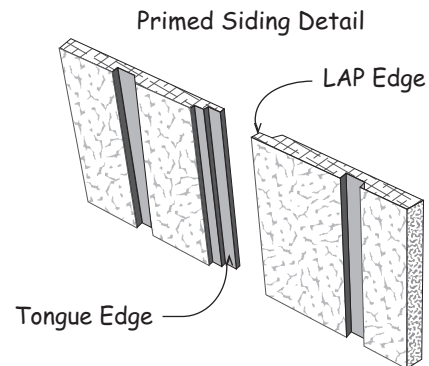
Tie Plate - 2x4s connecting wall sections together

Header - Spans top of door opening

OSB - Oriented Strand Board

LAP - Edge of siding that overlaps Tongue

Tongue - Edge of siding that is overlapped



Organize:

Unpack all items & organize according to size and type. This will make items easier to find when instructed.

Review the parts list on the back page. Should there be missing items or sub-par material contact Best Barns Customer Service.

DO NOT discard any material including the pallet until your project is complete.

Assembly:

Review all instructions before you begin. Please follow steps carefully and in sequence for successful results.

If you have any questions we are happy to assist you. Please contact us at:

800-245-1577 - Mon - Fri 8AM - 5PM EST

724-866-4357 - After hours and weekends

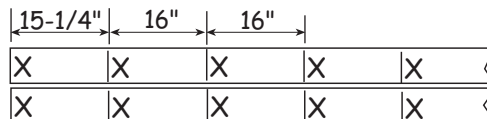
Email - questions@barnkits.com

Constructing Details for Deluxe Floor System

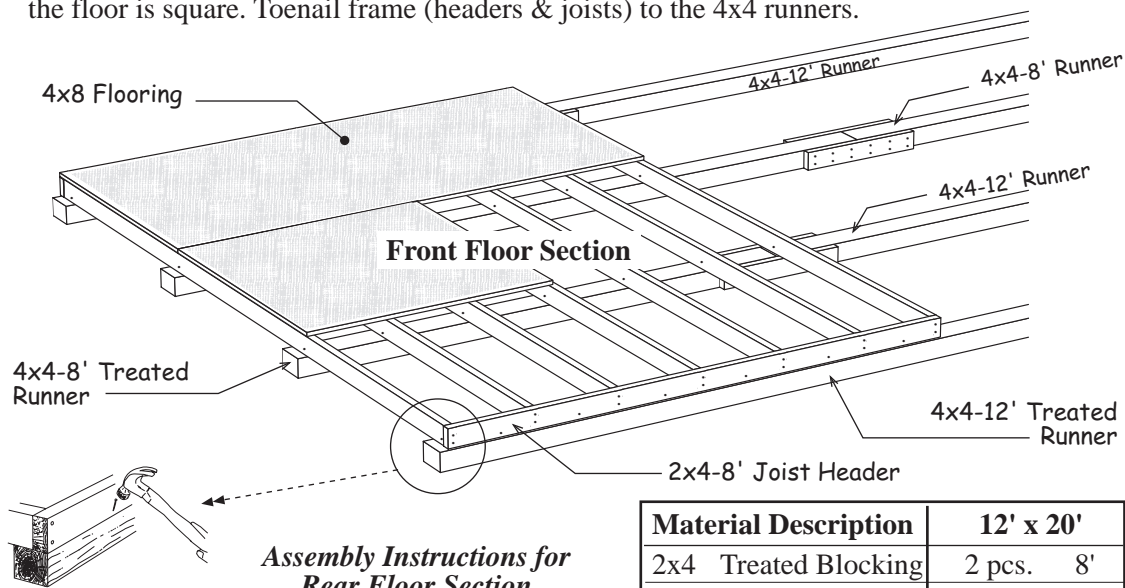
Floor System is optionally purchased

Foundation size is 12'-0" x 20'-0". Check local building codes in your area, the construction may have to change. For a concrete slab, install sill sealer as a moisture barrier between the concrete and the wall plates. Foam sill sealer can be purchased at home centers in rolls 3-1/2" or wider.

1. Stagger the 4x4 timbers as shown below. Cut (2) two 2x4- 8' boards into 2' long blocks to secure the 4x4s where they butt together.
2. Cut (2) two 2x4-8' to a length of 8' -0". They will be used for the joist headers. Layout, from left, for 16" on center joist spacing. 'X' marks where floor joist will be placed.



3. Cut (17) seventeen 2x4-12' treated boards to 11' -9". These will be the floor joists. *Treated lumber may be thicker than 1-1/2"*. Take this into account when cutting the length of floor joists. Shorten joist measurements if necessary to obtain 12'-0" building width.
4. Install the floor joists cut above between the 8' joist headers. Secure with 16d galv. deck nails.
5. Place floor assembly over the 4x4s. Square floor assembly. Measure the floor diagonally (corner to corner) and then the opposite corners; these measurements will be the same when the floor is square. Toenail frame (headers & joists) to the 4x4 runners.

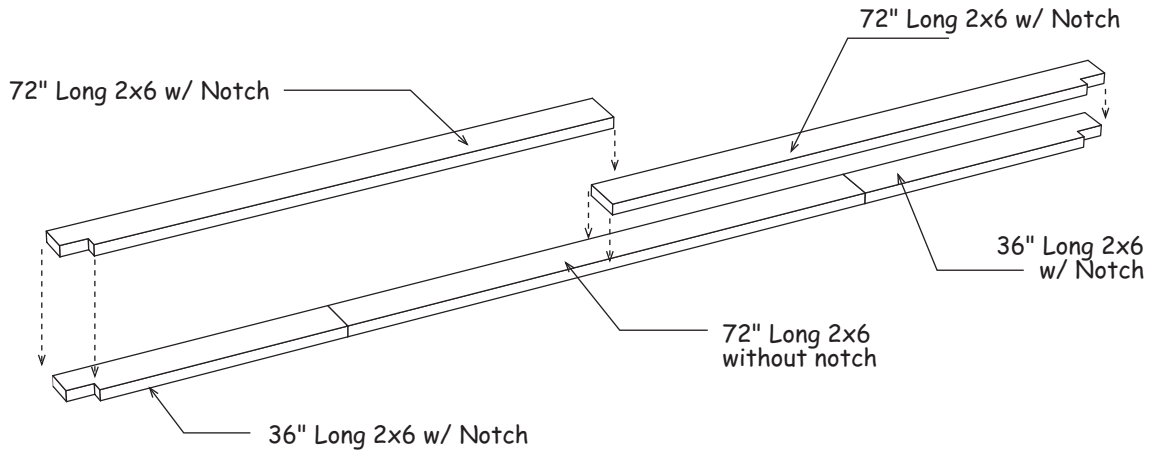


Material Description	12' x 20'
2x4 Treated Blocking	2 pcs. 8'
2x4 PT Joist Headers	2 pcs. 8'
2x4 PT Joist Headers	2 pcs. 12'
2x4 PT Floor Joist	17 pcs. 12'
4x4 Treated Runners	4 pcs. 8'
4x4 Treated Runners	4 pcs. 12'
Flooring 5/8" or 3/4"	8 pcs. 4x8
Galv Spiral Floor Nails	3 lb. 8d
Galvanized Deck Nails	5 lb. 16d

6. Cut (2) two 2x4-12' to a length of 12' -0". Layout for 16" joist spacing, *See above*.
7. Install floor joists between the joist headers. Square the floor section and install against the section assembled above. Toenail to the 4x4s runners.
8. Install 4x8 flooring over the 2x4s Use 8d galv. spiral floor nails spaced 8" apart.

Step 1 Assemble Loft Beams

1. Locate (2) two 36" long 2x6 boards with a notch on one end and a 2x6 board without a notch. Position these 2x6 boards on a flat surface as shown below.
2. Locate (2) two 72" long 2x6 boards with a notch on one end. Install these 2x6 boards over the bottom boards as shown.



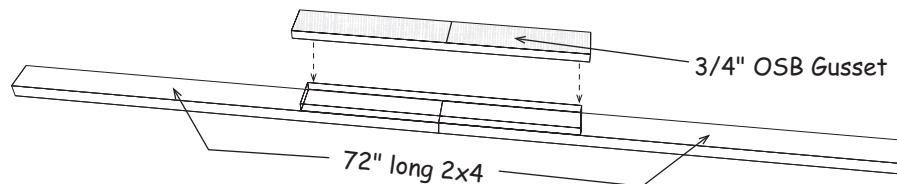
4. To provide additional strength, install (2) two rows of 2-1/2" wood screws spaced 16" apart as shown below.



5. Repeat steps to assemble a second Loft Beam.

Step 2 Assemble Gable Plates

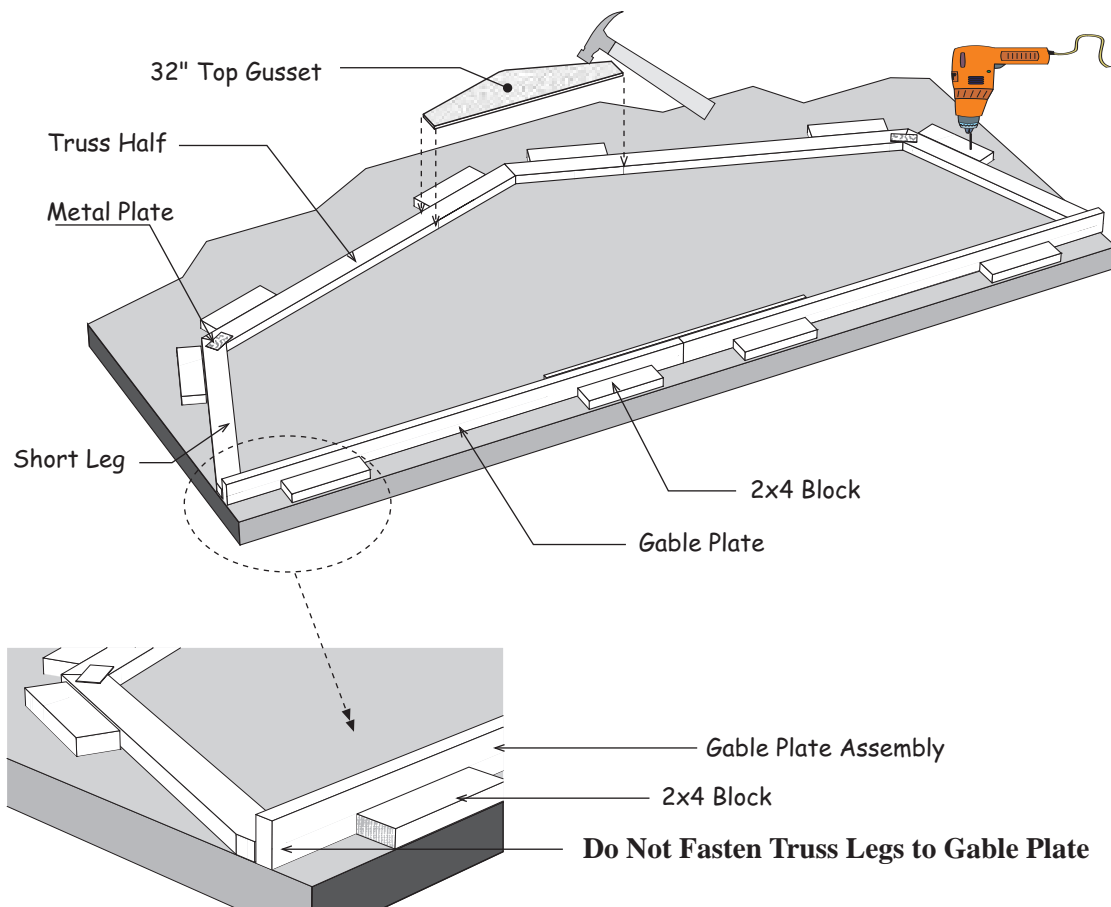
1. Butt (2) two 72" long 2x4s together and secure them by nailing a 3-1/2" x 42-3/4" long OSB gusset across the top where they butt together. The gusset needs to be centered on the 2x4s (approximately 50-5/8" of the 2x4s will be exposed on each side of the gusset). Use (2) two rows of (10) ten 6d common nails to secure the gusset.



2. Repeat to assemble a second Gable Plate.

Step 3 Assemble Trusses

1. Position a Gable Plate (from **Step 2**) on the floor with the narrow edge side down.
2. Position (2) two truss halves (*2x4s connected with a metal plate*) with the short legs against the end of the 2x4 Gable Plate Assembly. **DO NOT** attach the Gable Plate Assembly to the truss. It is temporarily used to help hold the 2x4 truss parts in place and will be attached in a later step. See detail below.
3. There are short 2x4s, that may have an angle on one or both ends. Use these as a jig to hold the truss halves and gable plate together by temporarily screwing or tack-nail blocks to floor. This will ensure that the trusses and gable ends are identical.

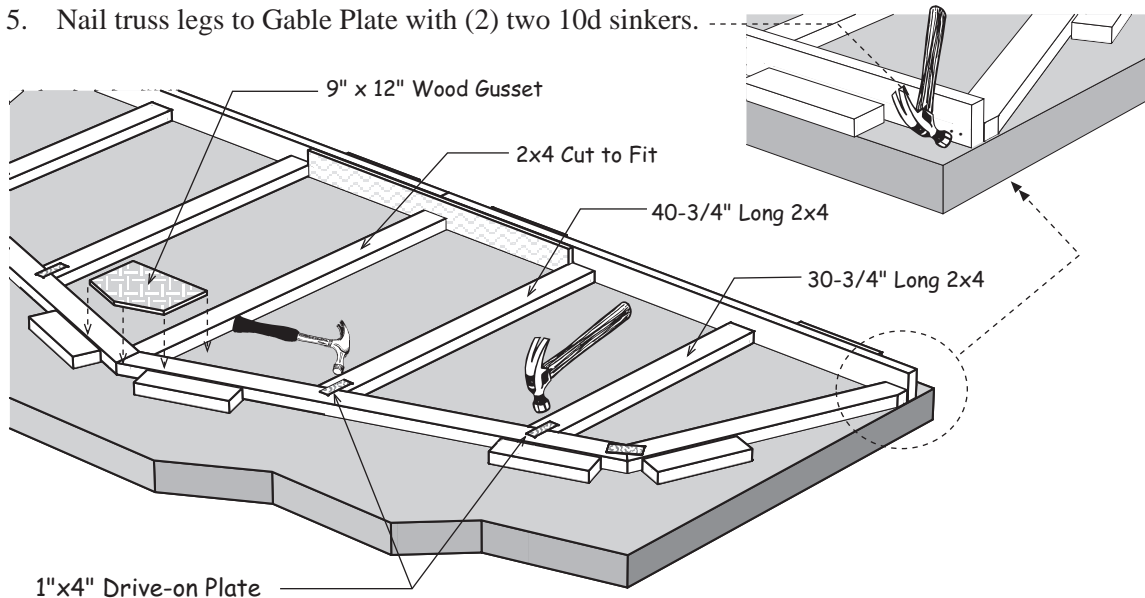


4. Secure the 2x4s at the peak with a 12" x 32" wood gusset. Take the gusset and truss and nail with (25) twenty-five 6d common nails evenly spaced.
5. Turn the truss over and install a gusset to the other side of the truss.
6. Repeat this process to assemble (8) eight more trusses.


Step 4 Assemble Roof Gables

DO NOT use trusses or pre-pressed truss halves for roof gables

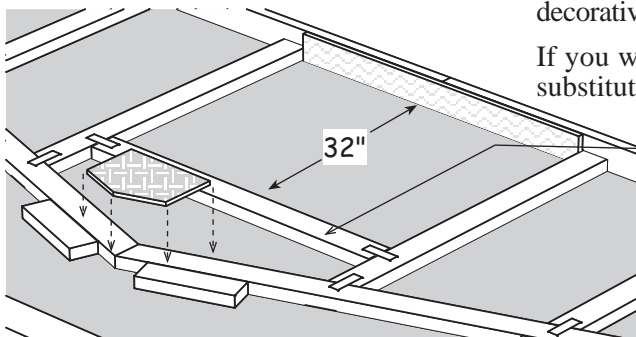
1. Place (2) two 61" and (2) two 34-3/4" long 2x4 gable rafters in the truss jig and secure together with 1"x4" drive-on metal plates.
2. Butt (2) two 40-3/4" long 2x4s against the wood gusset. Nail the bottoms of the 2x4s through the Gable Plate with (2) two 10d sinkers. Secure the tops with a 1"x4" drive-on plate.
3. Locate a 50" long 2x4 with a double angle on one end and cut to fit between gusset on Gable Plate and peak of gable. Nail through gable plate and OSB gusset with (2) two 10d sinkers. Secure the top with a 9" x 12" wood gusset. Use (10) ten 6d commog nails.
4. Install (2) two 30-3/4" long 2x4s with barbed plates and nails.
5. Nail truss legs to Gable Plate with (2) two 10d sinkers.



6. Position 2nd gable plate and repeat steps to assemble the front roof gable. **Read note below:**

 If you want to install the loft doors and trim as a decorative plant (not operating) repeat the above steps.

If you want the loft doors to open, repeat steps 1-6 substituting number step 3 with directions below.




3. Cut a 50" long 2x4 with angle cuts on one end and install between the 40-3/4" boards. Install this board 32" from the OSB gusset. Secure with 1"x4" metal barbed plates. Secure the top with a 9"x12" gusset.

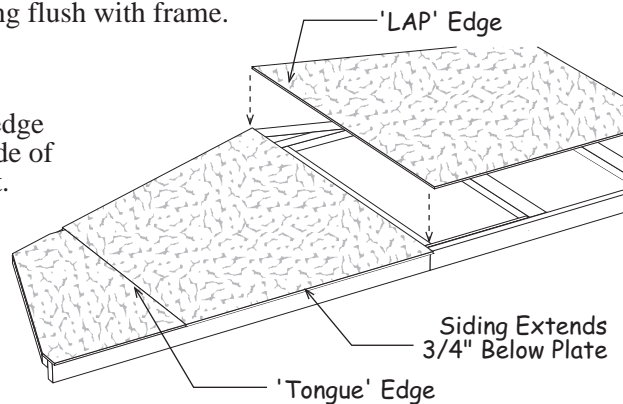
 Remove temporary 2x4 blocks

Step 5A Apply Siding to Rear Roof Gable


Building Tip: Gather all pre-cut gable siding and position them on gable frames before nailing. All siding should extend 3/4" below Gable Plate. If siding extends above frame cut siding flush with frame.

1. Select rear gable and turn frame over.
2. Select the siding panel with a 'Tongue' edge on right side. Install this panel on left side of gable. Use 6d galv. nails spaced 8" apart.
3. Continue to right side with pre-cut siding panels.

 The rear gable trim can be installed now or in **Step 18B**.



Step 5B Apply Siding to Front Roof Gable

 If you are installing the loft doors and trim as a decorative plant (not operating) install the siding as done above but starting from right side rather than from left side. Skip to steps 2 and 3 below.

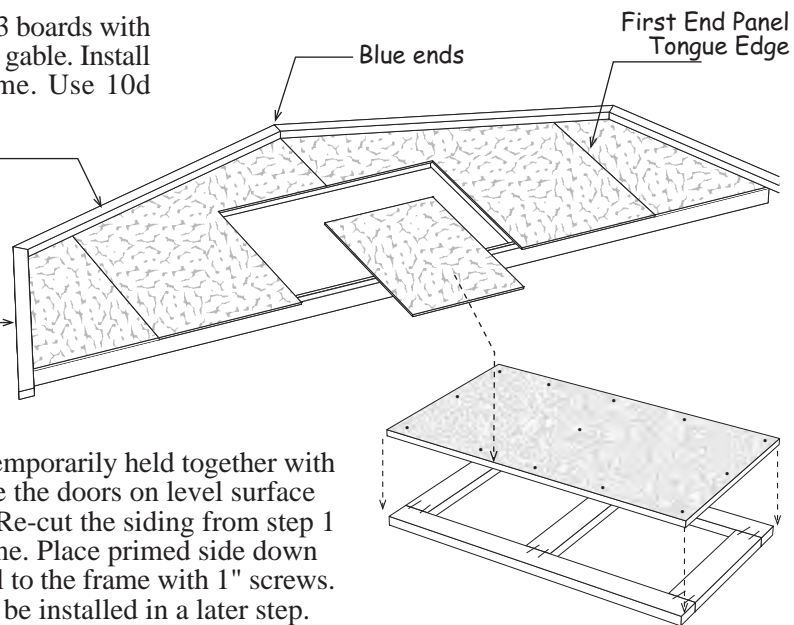
1. Select a siding panel with a 'Tongue' edge and install on right side of gable. Before you install the center siding panels, lay them on the frame and trace the top and side of the door opening on the siding panels. Cut panels from bottom of siding to top of door opening. Save these pieces to be installed on loft doors below.

2. Install (2) two 61" long 2x3 boards with blue marking at peak of the gable. Install 2x3 flush with gable frame. Use 10d sinkers spaced 6" apart.

61" Long 2x3

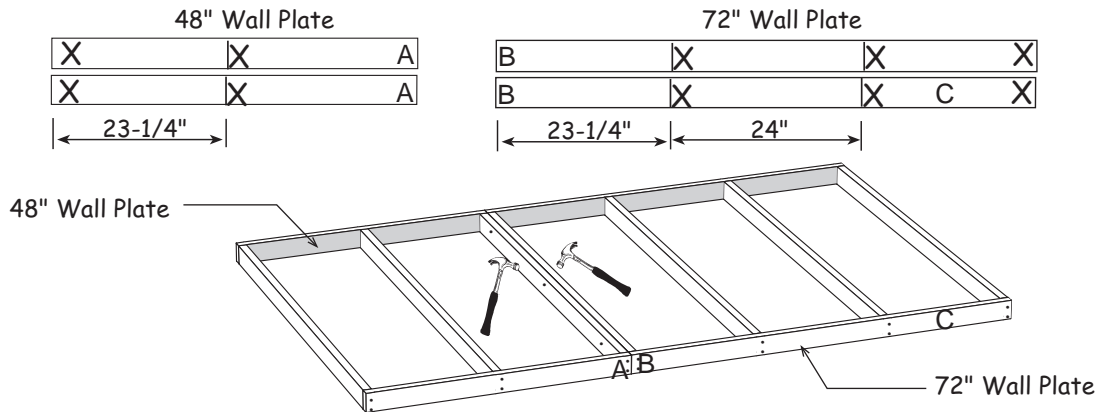
3. Install (2) two 42-1/2" long 2x3s. Use 10d sinkers.

4. The loft door frames are temporarily held together with corrugated fasteners. Place the doors on level surface with fasteners facing up. Re-cut the siding from step 1 to the size of the door frame. Place primed side down and secure the siding panel to the frame with 1" screws. Set doors aside. They will be installed in a later step.

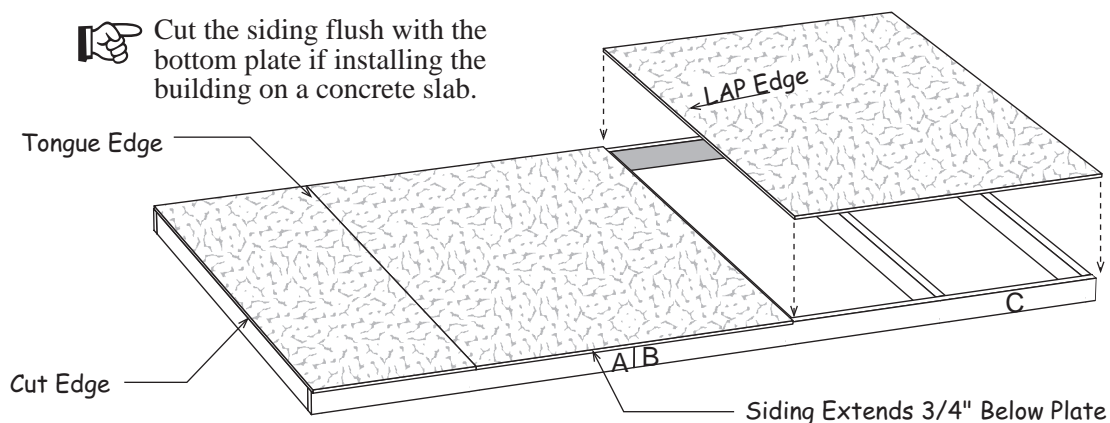


Step 6A Assemble 10' Side Walls

1. Position (2) two 2x4-48" boards and (2) two 2x4-72" boards together and indicate with 'X' marks where the wall studs will be located. Mark the ends that will butt together with the letters 'A' and 'B'. Mark right side end with a 'C'. This will be referenced in a latter step.



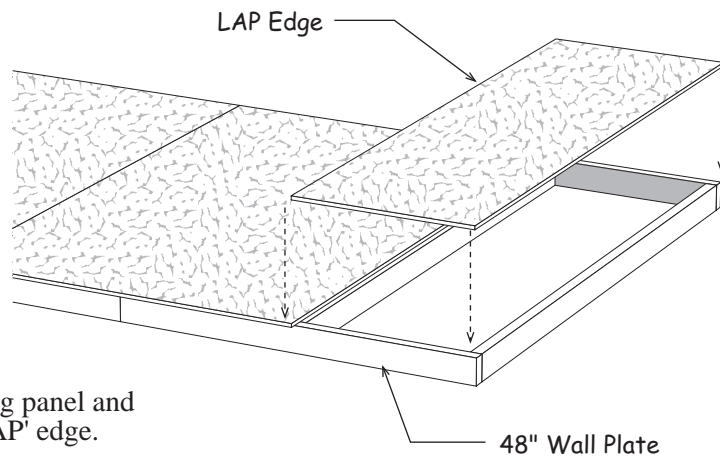
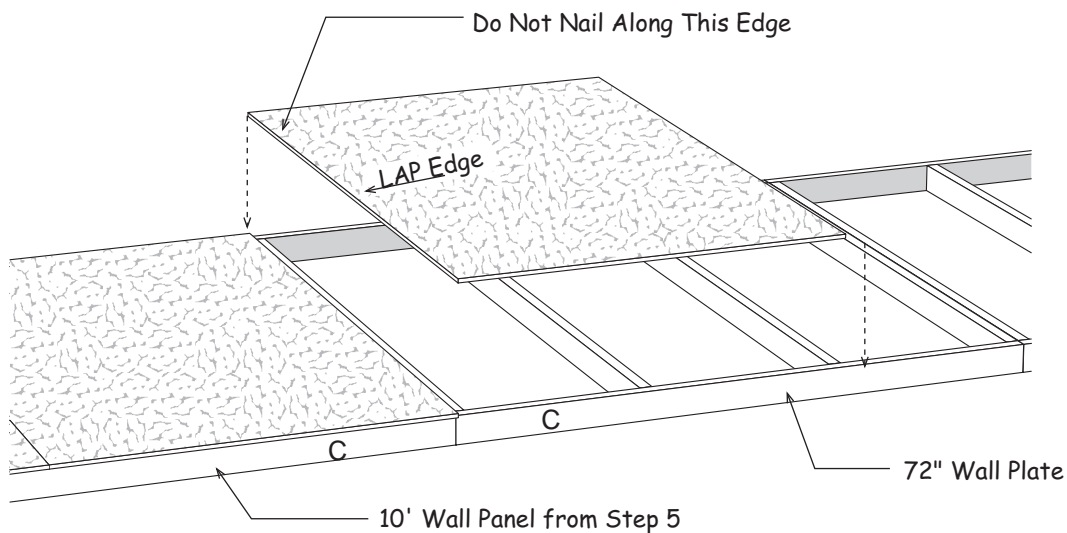
2. Install (7) seven 80-1/4" long wall studs between the wall plates. Use (2) two 10d sinkers at each end of stud. Nail the frames together with (4) four 10d sinkers on each side.
3. Repeat to assemble (3) three more 10' long side wall frames. **You will need to cut (2) two 64" long 2x4s to a length of 48" to assemble the last 48" wall frame.**
4. Square wall frame. *Measure diagonally (corner to corner); the measurements will be the same when the wall is square.*
5. Cut one of the 48" wide siding panels in half lengthways. Select the half, with the 'tongue' edge, and install this panel with the 'cut' edge flush with the end of the wall and extending 3/4" below the bottom plate. Use 6d galvanized nails spaced 8" apart. LAP edge panel will be used in next step.
6. Install (2) two more siding panels.



7. Select (1) one of the 10' wall frames and repeat steps 4-6 to apply siding.

Step 6B Assemble Side Walls for 20' Building Length

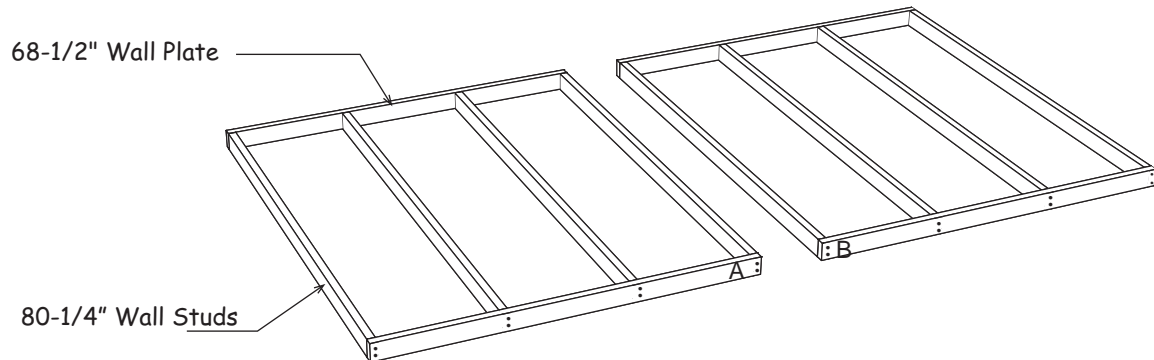
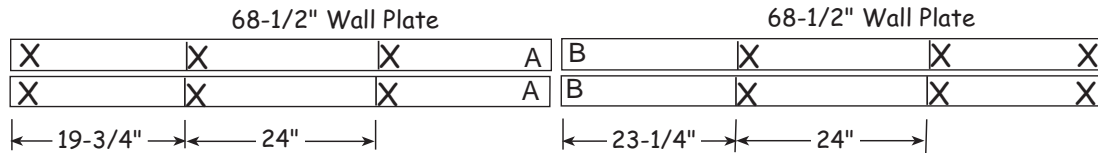
1. Select one of the 10' side walls with siding. Butt a 10' wall frame against this wall with the 'C' marks together. **Do Not** nail these frames together so they can be separated later.
2. Square the wall frame. Install a full width siding panel using 6d galvanized box nails spaced 8" apart. **Do Not** nail along the long edge that overlaps the sided wall frame. You can nail this edge after the wall panels are installed. This will enable you to separate the wall panels making them easier to handle.



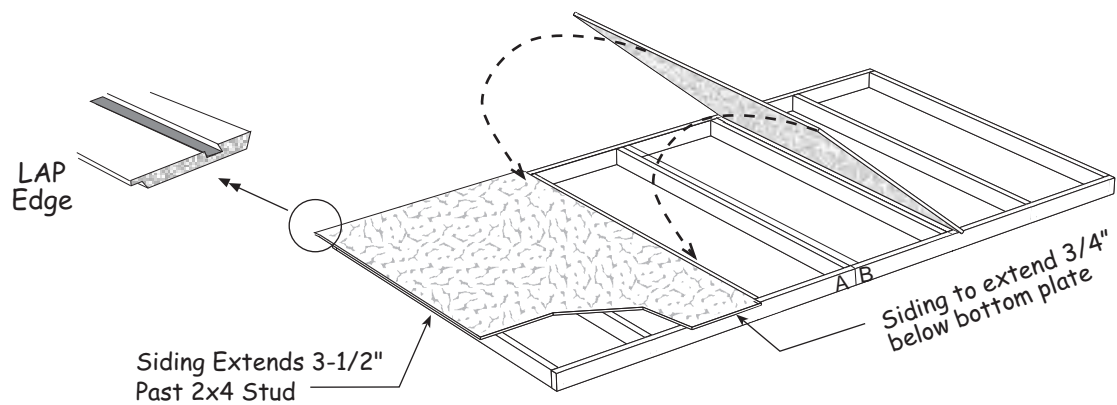
3. Install another full width siding panel and a 2' wide siding panel with 'LAP' edge.
4. Repeat to apply siding to the other 10' wall frame.

Step 7 Assemble Back Wall

1. Position (4) four 68-1/2" 2x4 boards together and indicate with 'X' marks where the wall studs will be located. Mark the ends that will butt together with the letters 'A' and 'B'.
2. Install (8) eight 80-1/4" long wall studs, between the wall plates, over the 'X' marks and where the plates meet. Use (2) two 10d coated sinkers at each end of a stud. Nail wall sections together using (4) four 10d coated sinker nails, on each side of the studs.

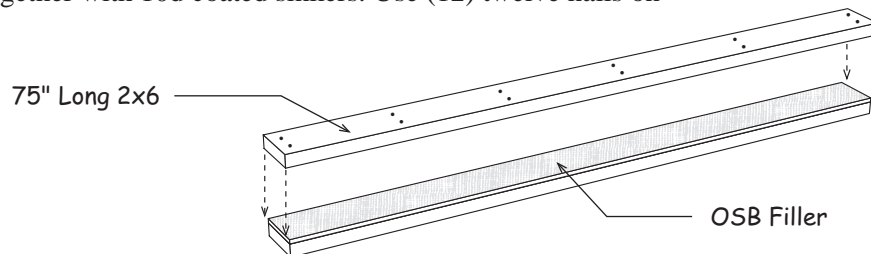


3. Square wall frame. *Measure diagonally (corner to corner); the measurements will be the same when the wall is square.*
4. Install the 1st siding panel with the 'LAP' edge extending 3-1/2" past the wall frame. Use 6d galvanized box nails spaced 8" apart. The bottom will extend 3/4" below the bottom plate, or trim flush for cement slab.
5. Install (2) two more siding panels. Cut the last panel to extend 3-1/2" beyond the wall frame.



Step 8 Assemble Door Header

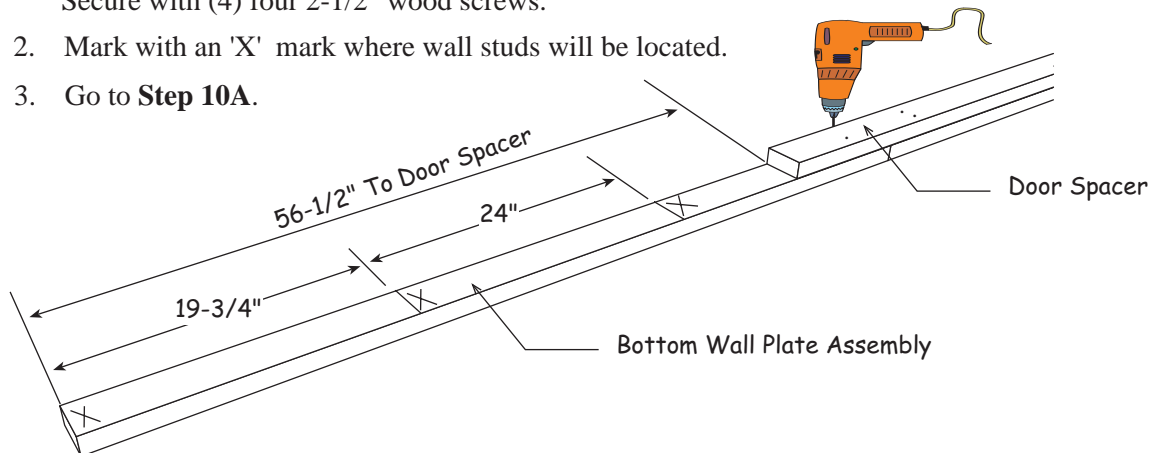
Assemble door header using (2) two 75" long 2x6 boards and a 75" OSB filler panel. Nail header together with 10d coated sinkers. Use (12) twelve nails on each side.



Step 9A Assemble Bottom Wall Plate (doors offset)

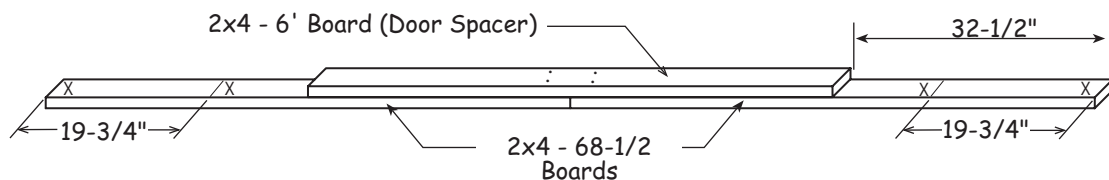
 If you want the barn doors in the center of the front wall, go to **Step 9B**.

1. Butt (2) two 68-1/2" boards together to make bottom wall plate. Secure bottom plate with a 2x4-6' board (used as door spacer) installed 56-1/2" from the end of the 2x4 wall plate. Secure with (4) four 2-1/2" wood screws.
2. Mark with an 'X' mark where wall studs will be located.
3. Go to **Step 10A**.



Step 9B Assemble Bottom Wall Plate (doors centered)

1. Butt (2) two 68-1/2" boards together. Center a 2x4-6' board (used as door spacer) on top and screw the boards together using (4) four 2-1/2" wood screws.
2. Mark with an 'X' mark where wall studs will be located.

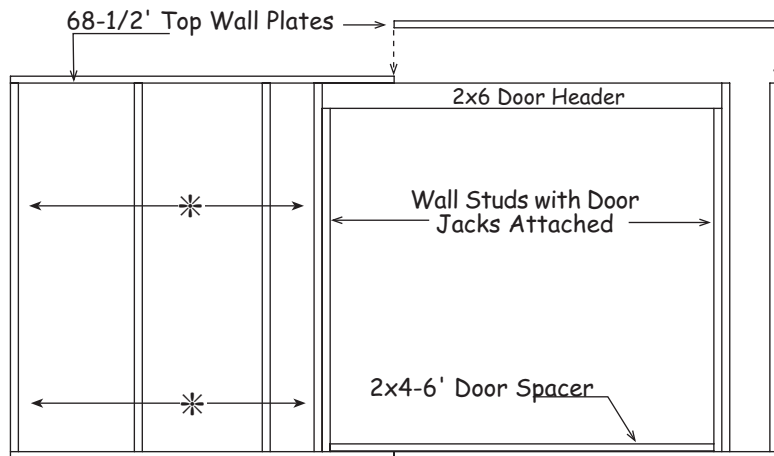


3. Go to **Step 10B**.

Step 10A Assemble Front Wall (doors offset)

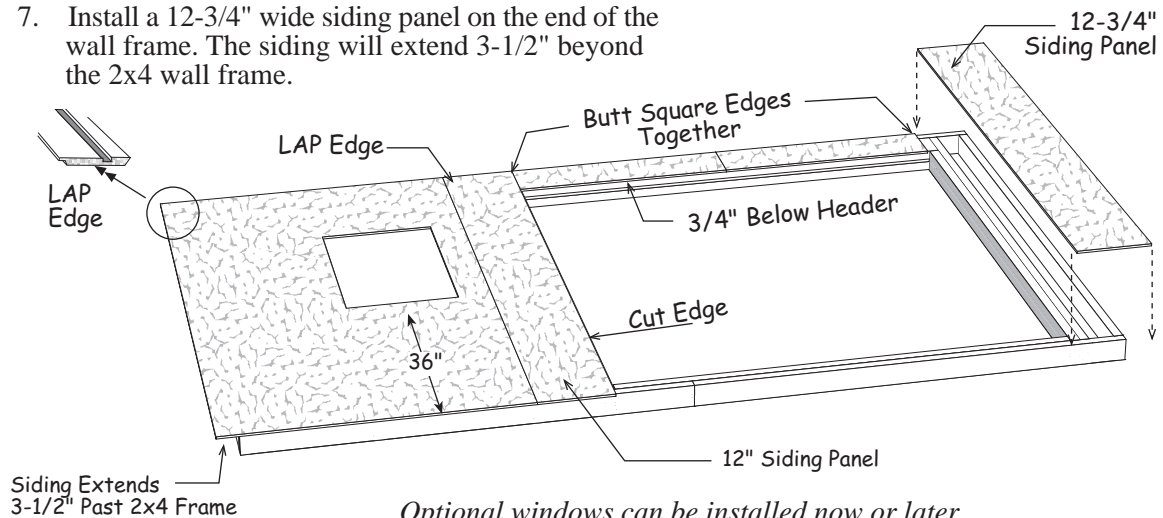
1. Gather the material listed below to assemble the door wall.
2. Install (4) four 80-1/4" wall studs over the 'X' marks using 10d sinkers.
3. Install pre-built studs with the door jacks attached to either side of the door spacer.
4. Install door header on the door jacks. Use 10d sinkers.

Material List	
2	68-1/2" Wall Plates
4	80-1/4" Wall Studs
2	80-1/4" Wall Studs w/ door jacks attached
1	Door Header from Step 8
1	Bottom Plate from Step 9A



 **To install doors offset to the left, flip wall before applying the siding.**

5. Install a 12" siding panel with a 'LAP' edge and a full width siding panel on the left side of door (right side if installing door on left). The cut edge on the 12" siding should be flush with the door opening and the full width siding should extend 3-1/2" past the frame. Siding should extend 3/4" below bottom plate. When both panels are positioned nail to frame.
6. Install (2) two 7-3/4" high pre-cut siding panels over the door opening. The siding should extend 3/4" below the door header.
7. Install a 12-3/4" wide siding panel on the end of the wall frame. The siding will extend 3-1/2" beyond the 2x4 wall frame.

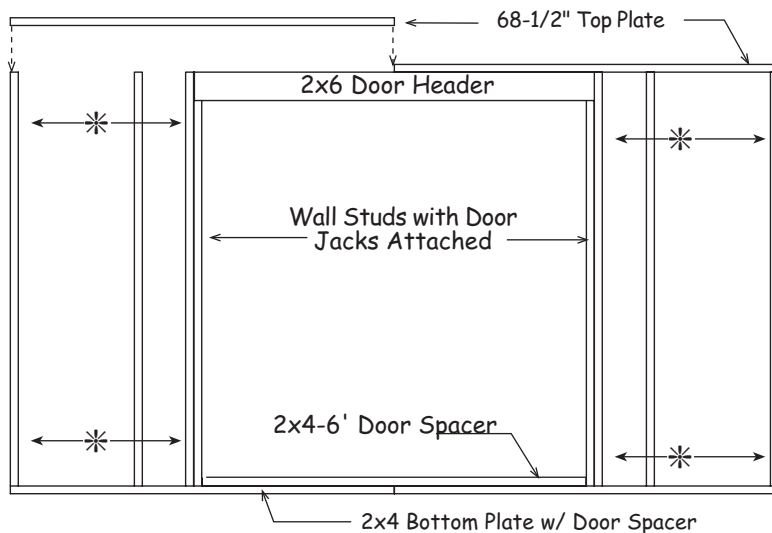


Optional windows can be installed now or later.

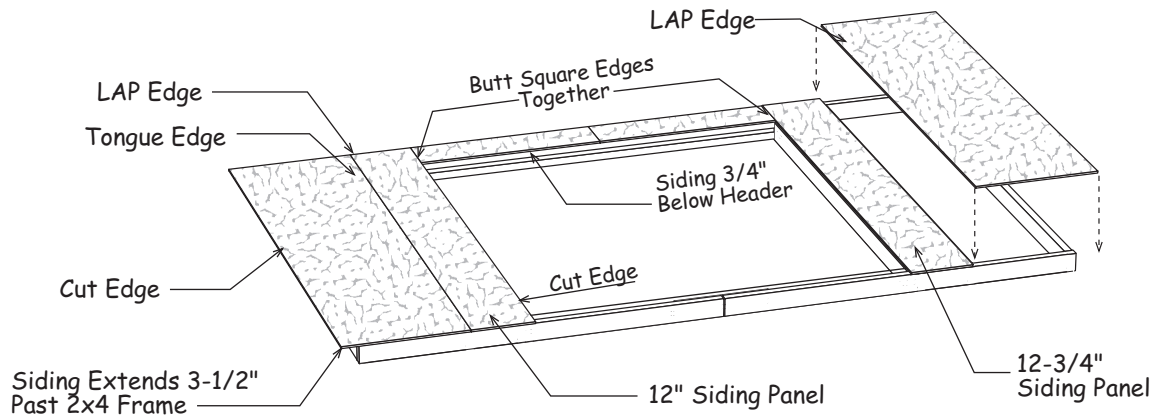
Step 10B Assemble Front Wall (doors centered)

1. Gather the material listed below to assemble the door wall.
2. Install (4) four 80-1/4" wall studs over the 'X' marks using 10d sinkers.
3. Install pre-built studs with the door jacks attached to either side of the door spacer.
4. Install door header on the door jacks. Use 10d sinkers.

Material List	
2	68-1/2" Wall Plates
4	80-1/4" Wall Studs
2	80-1/4" Wall Studs w/ door jacks attached
1	Door Header from Step 8
1	Bottom Plate from Step 9B

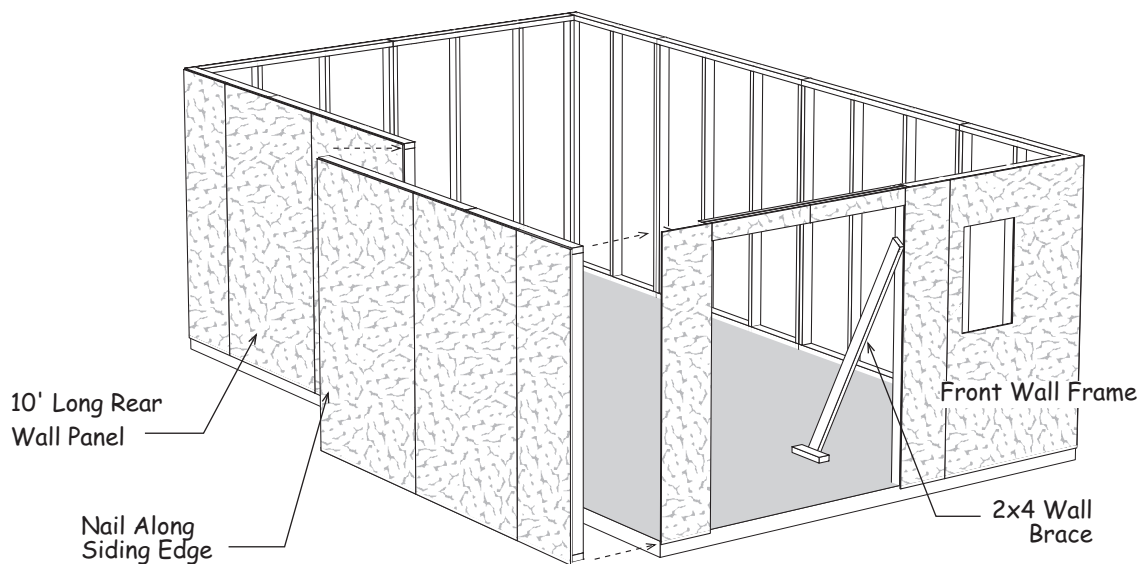


5. Locate a 12" siding panel that has a 'LAP' edge. Position the 'cut' edge flush with the left side of the door opening. **Do Not** nail the 'LAP' edge until the other siding is applied.
6. Cut a full width siding panel in half lengthways. Select the siding with the 'tongue' edge and install this at the left end of the wall frame. Siding should extend 3-1/2" past the frame.
7. Install (2) two 7-3/4" pre-cut siding panels over the door opening. Siding should extend 3/4" below header.
8. Install a 12-34" siding panel with the 'cut' edge flush with the side of the door opening.
9. Install the last siding panel. It should extend 3-1/2" beyond the 2x4 wall frame.



Step 11 Set Walls

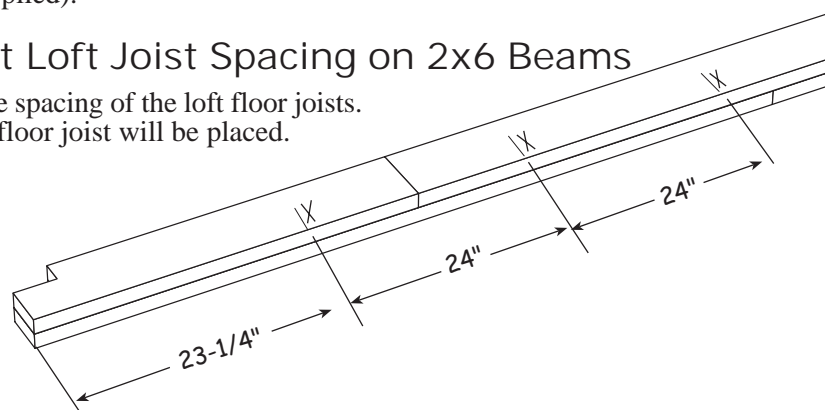
1. Set the back wall panel between (2) two 10' long side walls. Position the 'C' mark toward front of building. Secure wall panels together at the corners using (4) four 10d sinkers per corner.
2. Install the next (2) two side walls with the 'C' mark towards back of building. Nail with 10d sinkers. Nail siding edge where panels overlap.
3. Install front wall between the side walls. Nail along the siding edge where the side wall siding panels overlap.
4. Temporarily install (2) two 2x4-80-1/4" boards at both sides of the door opening to hold the wall straight. These boards will be used in a later step.



4. Unscrew and remove the 2x4 door spacer (this will be used later). Cut and remove the bottom 2x4 in the door opening. Secure walls to floor using 10d sinkers or concrete anchor bolts (not supplied).

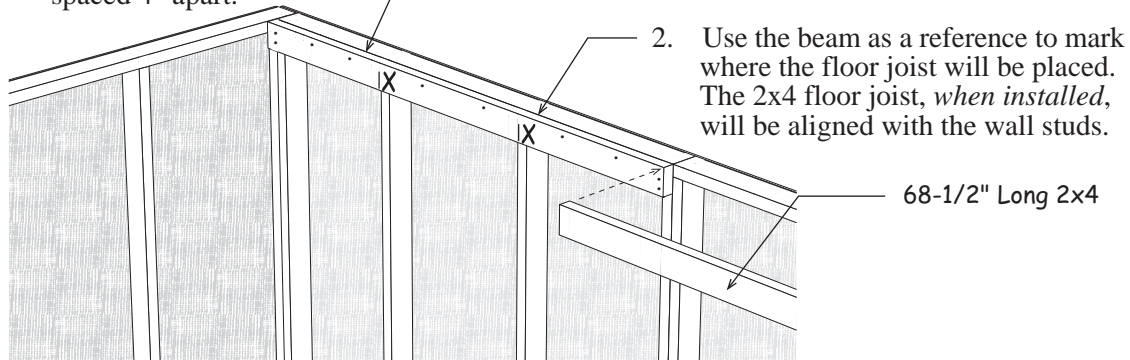
Step 12 Layout Loft Joist Spacing on 2x6 Beams

Layout both beams for the spacing of the loft floor joists.
The 'X' marks where the floor joist will be placed.



Step 13 Install Loft Floor Joist Headers

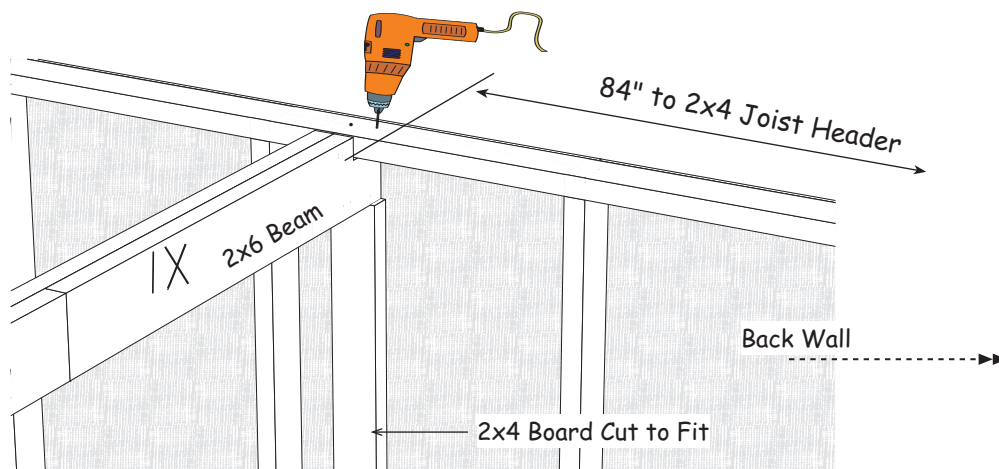
1. Install (2) two 68-1/2" long 2x4s on the back wall to support the floor joists. Install the 2x4s flush with the top of the 2x4 wall plate. Secure to wall studs and top plate with 10d sinkers spaced 4" apart.



3. Repeat to install joist header support boards on the front wall.

Step 14 Install 2x6 Loft Beams

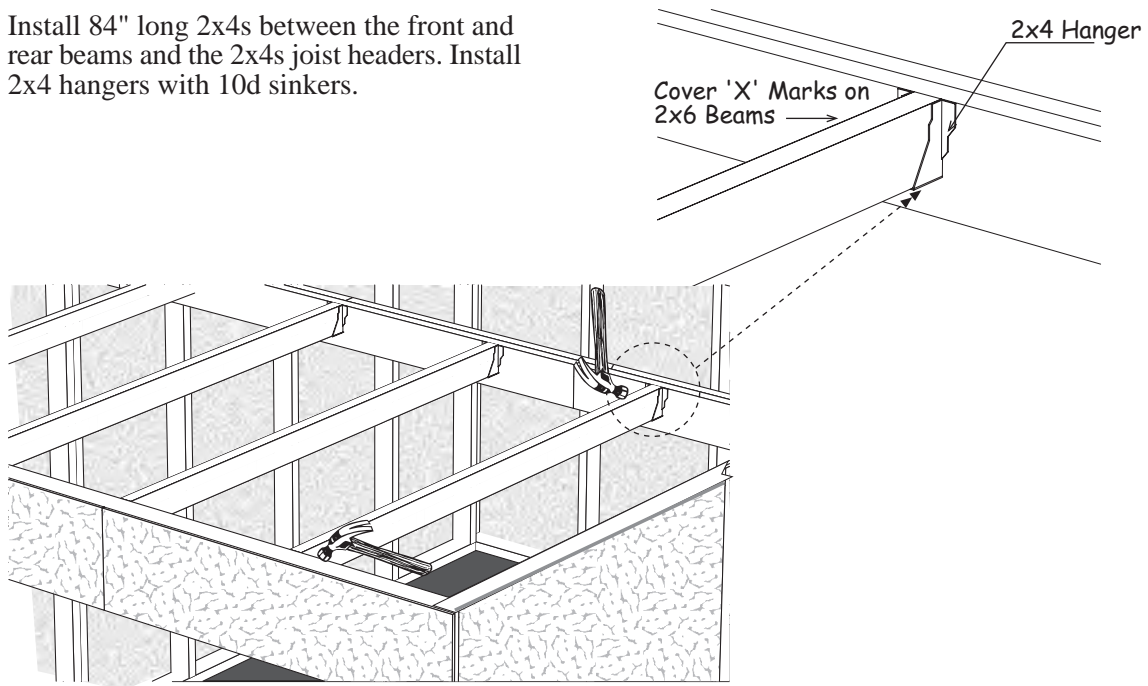
1. Install the rear 2x6 beam 84" from the 2x4 joist header boards with the 'X' marks on the beam facing the back wall. Use a 2x4-7' board as a gauge to properly space the beam. Refer to **Step 15** to see how the loft floor joists will be installed. Place the notch under the top plate and secure with a 2-1/2" wood screws through the top of the wall plate.
2. Remove 2x4s used to brace walls and gather the (2) two 80-1/4" long 2x4s. Cut (2) two boards to fit under beam. Toenail to beam and bottom plate with 10d sinkers.



3. Repeat to Install the other beam with the 'X' marks on the beam facing the front wall. When the front beam is installed there will be 56" between the beams

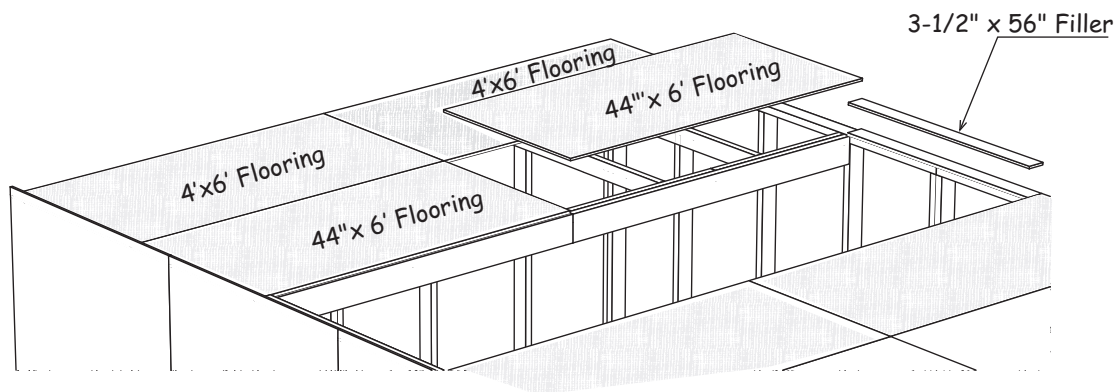
Step 15 Install 2x4 Floor Joists

Install 84" long 2x4s between the front and rear beams and the 2x4s joist headers. Install 2x4 hangers with 10d sinkers.



Step 16 Install Loft Flooring

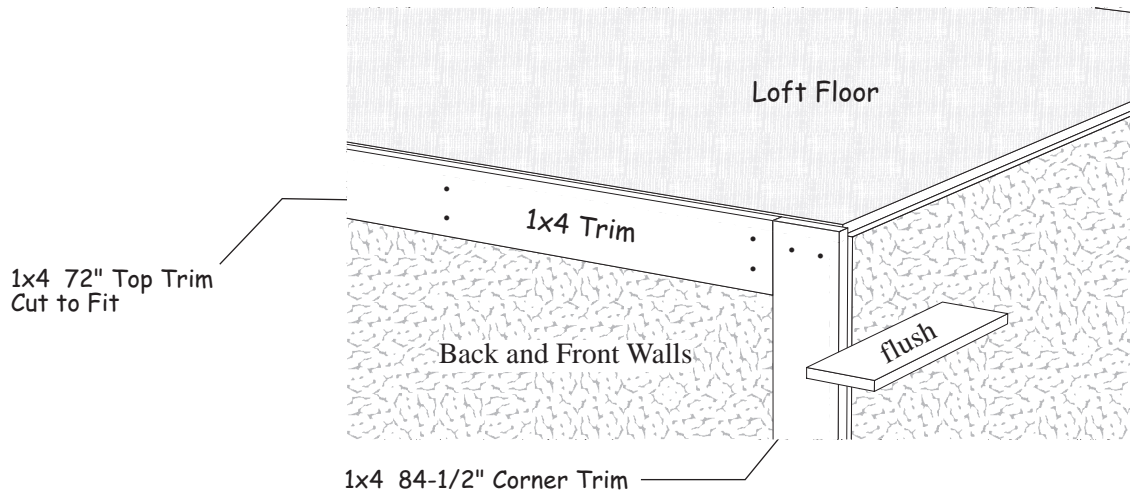
1. Install 7/16" OSB loft flooring on back loft floor joists. Loft flooring should be flush with outside of top wall plates. Use 6d common nails spaced 8" apart. *See layout pattern below:*



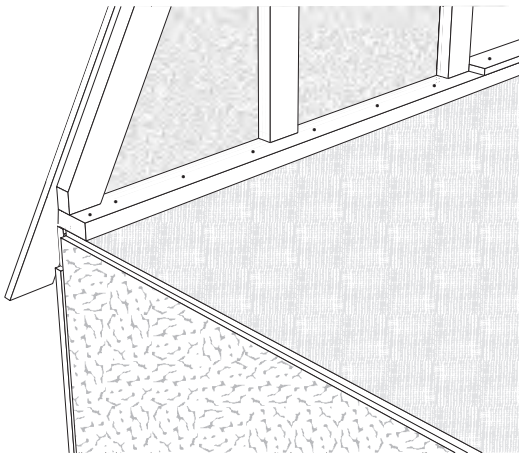
2. Repeat to install loft flooring at the front of the building.
3. Install 3-1/2" x 56" floor fillers on top of side wall plates between the loft flooring.

Step 17 Install Wall Trim

1. Install (2) two 84-1/2" long 1x4 corner trim boards on the back wall, flush with the siding on the side walls and flush with loft flooring. Use 6d galvanized box nails spaced 12" apart.
2. Install (2) two 1x4-72" trim boards between corner trim and flush with the top of the loft flooring. Cut last board to fit. *See diagram below.*
3. Repeat for front wall trim.



Step 18A Set Rear and Front Gables

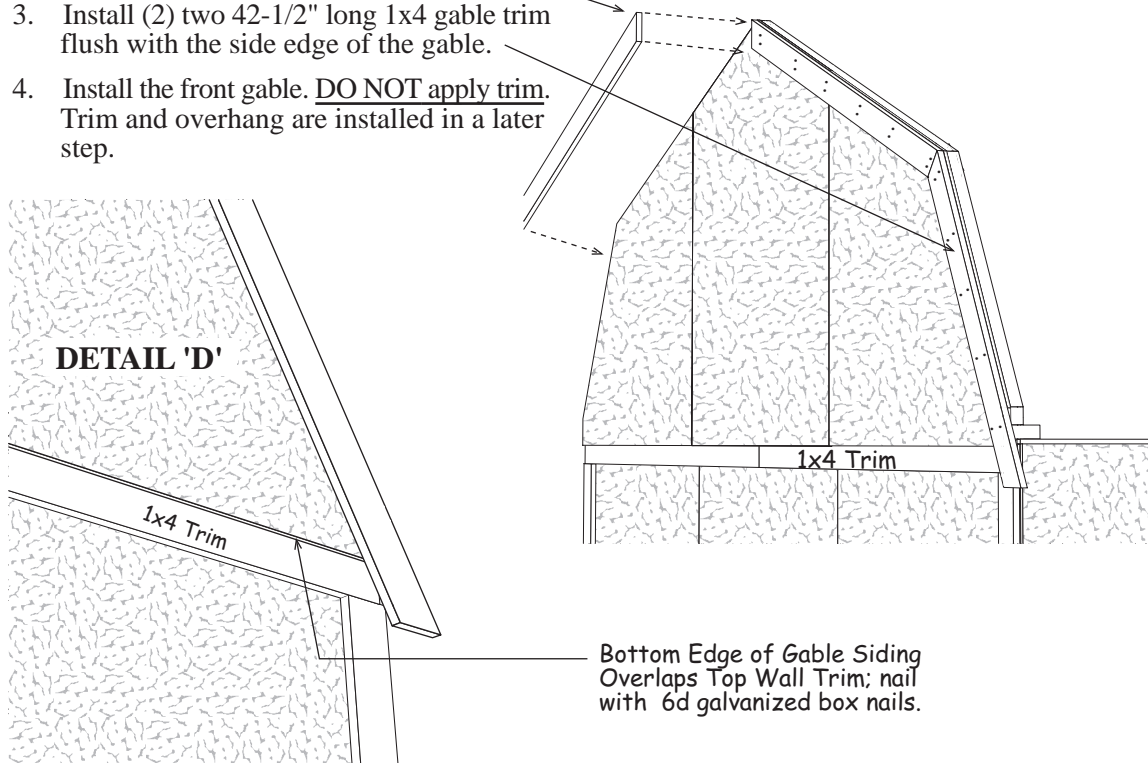


1. Install the rear gable on the rear wall. The siding on the gable must extend over the 1x4 trim board, not behind it. *See detail 'D' on next page.* Nail bottom gable to loft flooring. Use 10d sinker nails spaced evenly in space between studs.

WARNING: The gable ends are heavy and awkward. You'll need helpers to lift and set gables in place.

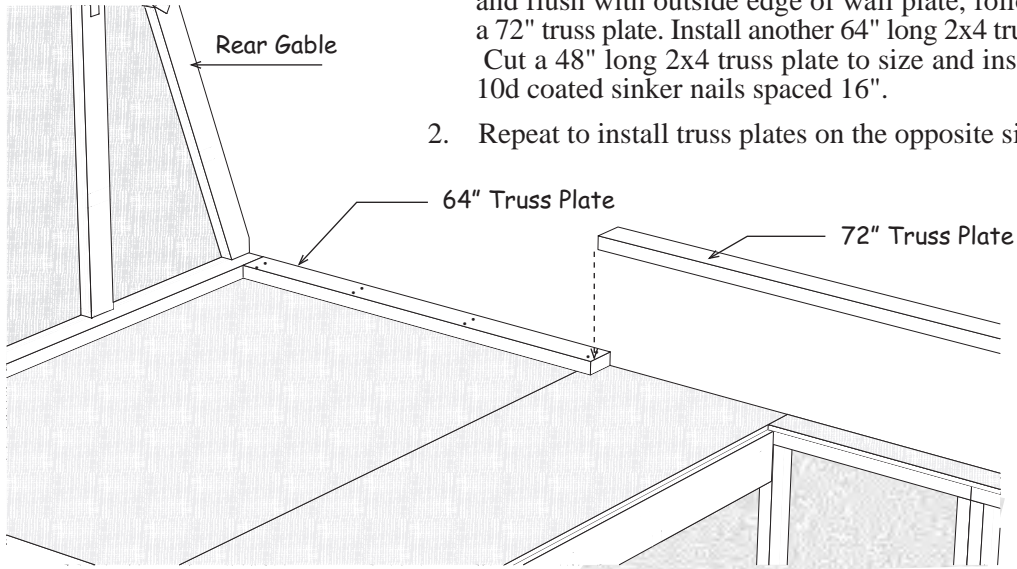
Step 18B Set Rear and Front Gables (continued)

2. Install (2) two 61" long 1x4 gable trim flush with the top edge of the gable. Install the ends with blue marks together. Install trim with 6d galvanized nails spaced 12" apart.
3. Install (2) two 42-1/2" long 1x4 gable trim flush with the side edge of the gable.
4. Install the front gable. DO NOT apply trim. Trim and overhang are installed in a later step.



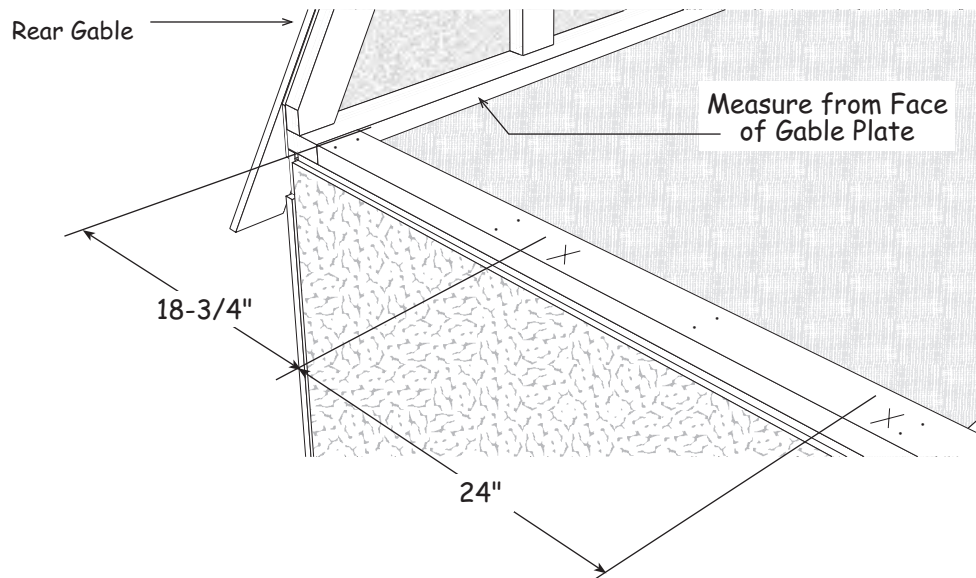
Step 19 Install 2x4 Truss Plates

1. Install a 64" long 2x4 truss plate against the rear gable and flush with outside edge of wall plate, followed by a 72" truss plate. Install another 64" long 2x4 truss plate. Cut a 48" long 2x4 truss plate to size and install. Use 10d coated sinker nails spaced 16".
2. Repeat to install truss plates on the opposite side.



3. Layout the truss spacing. Measure from the inside face of the 2x4 gable plate to mark the location of the first truss. The last truss space will be more than 24".

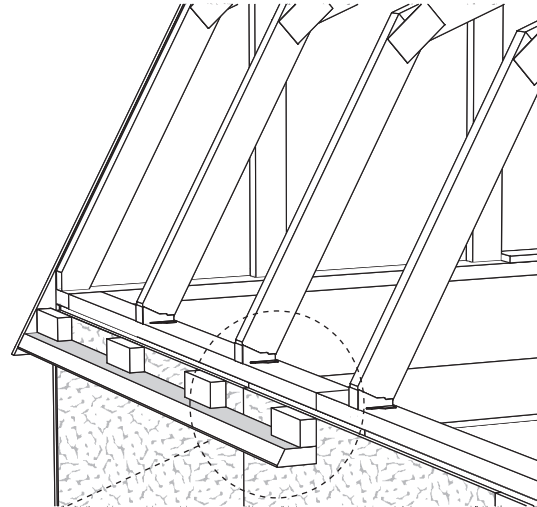
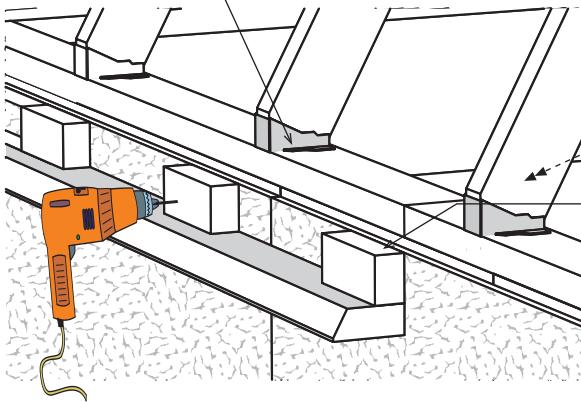
Important: When marking the opposite wall, place the 'X' mark on the same side of the line so your trusses are parallel when they are installed.



Step 20 Install Trusses & Soffit Boards

1. Place trusses over the 'X' marks and secure trusses to 2x4 truss plate using 2x4 hangers and 10d sinkers.
2. Locate 65-1/4" long soffit boards that have a beveled edge. Install one of these boards flush with the top of the siding and butting against the rear gable trim. Secure soffit boards to the top wall plate with 3" long screws spaced 8" apart. Cut to fit and install a 48" soffit board to fit behind 2x3 boards on the front gable.

Metal Truss Hanger




Soffit Block Flush With Siding

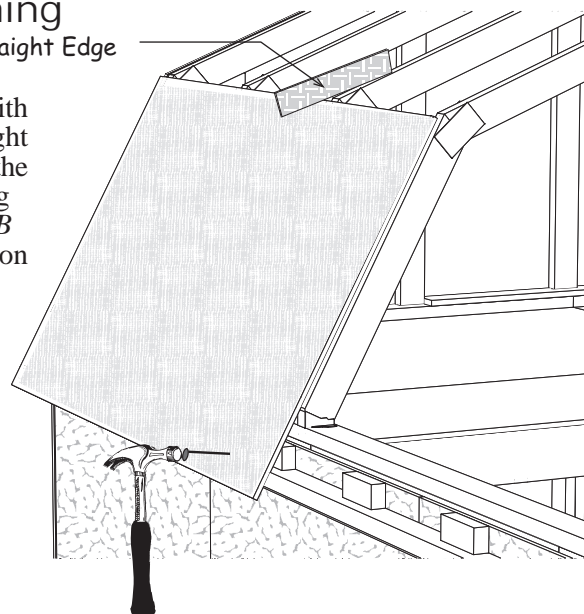
3. Repeat to install soffit boards on the opposite side.

Step 21A Install Roof Sheathing

1. Install a 42" x 72" OSB roof panel flush with the face of the rear gable trim. Use a straight edge to align the top of the sheathing with the top of the truss. Continue adding sheathing following the layout on the next page. *OSB will extend past front gable.* Use 6d common nails, spaced 8" apart.
2. Repeat step for opposite side.

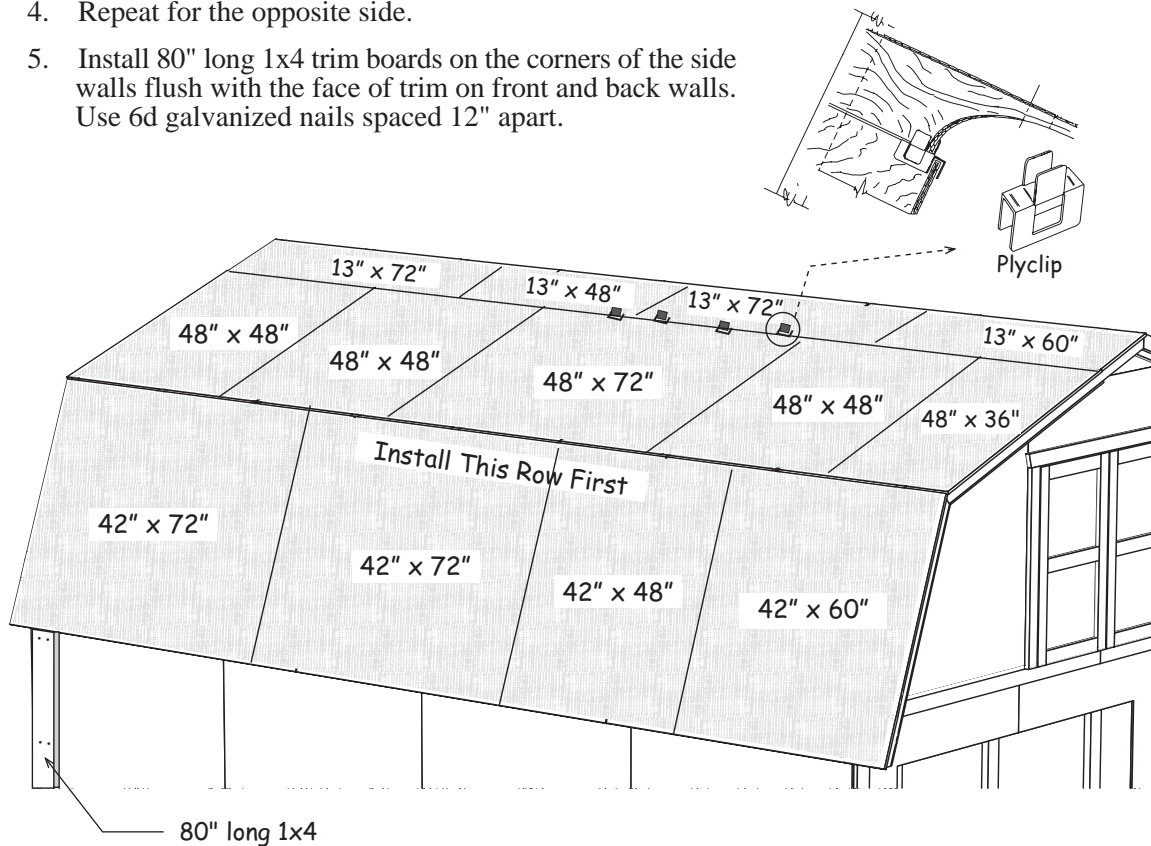
 To prevent the nails from protruding through the bottom of the soffit board, nail at an angle when nailing roof sheathing to the soffit boards.

Straight Edge



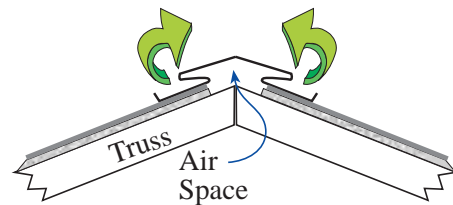
Step 21B Install Roof Sheathing (continued)

3. Install roof sheathing on the upper roof trusses. Insert (2) two plyclips onto roof sheathing between every truss on the top row. The top row of roof sheathing will be about 1" below the ridge to allow for ventilation. Use 6d common nails, spaced 8" apart.
4. Repeat for the opposite side.
5. Install 80" long 1x4 trim boards on the corners of the side walls flush with the face of trim on front and back walls. Use 6d galvanized nails spaced 12" apart.



Install Roofing — Not Supplied in Kit

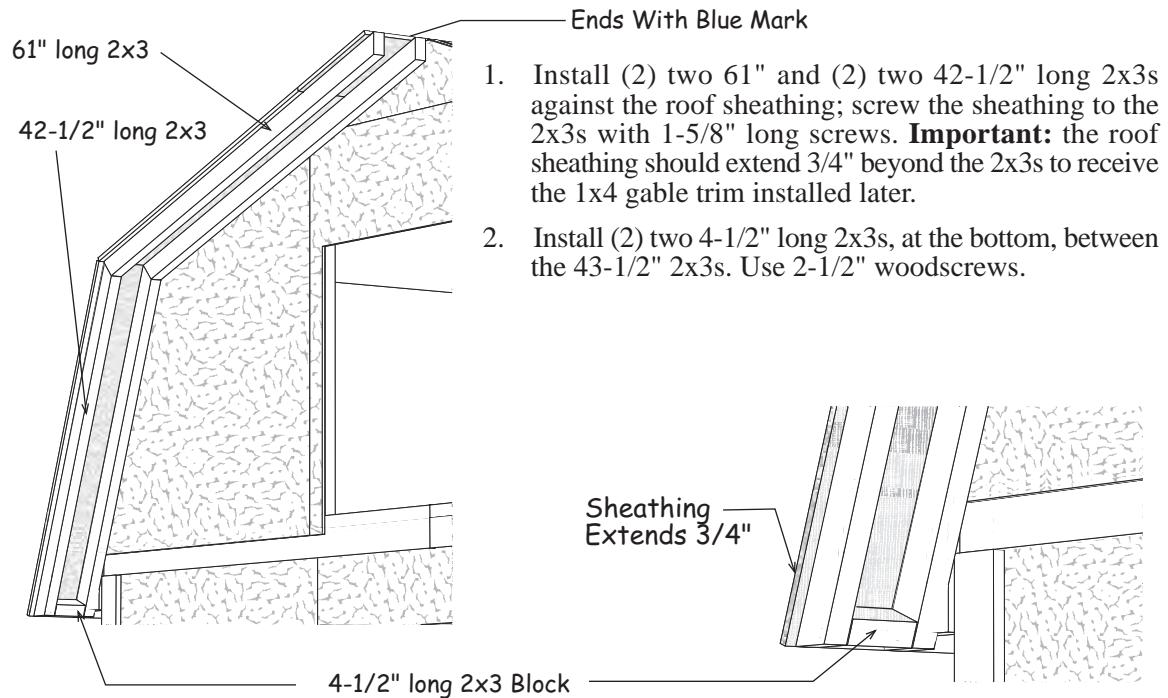
After completing Step 22, Install shingles according to the instructions on the wrapper. Additional information and tutorials can be found on various online sources.



Optional ridge vent provides ideal ventilation.

Building Tip: Install ridge vent (purchased separately) in lieu of shingle caps. Ridge vent provides ideal ventilation, preventing heat and moisture build-up from damaging your building or its contents.

Step 22 Install Front Gable Overhang and Loft Doors



1. Install (2) two 61" and (2) two 42-1/2" long 2x3s against the roof sheathing; screw the sheathing to the 2x3s with 1-5/8" long screws. **Important:** the roof sheathing should extend 3/4" beyond the 2x3s to receive the 1x4 gable trim installed later.
2. Install (2) two 4-1/2" long 2x3s, at the bottom, between the 43-1/2" 2x3s. Use 2-1/2" woodscrews.

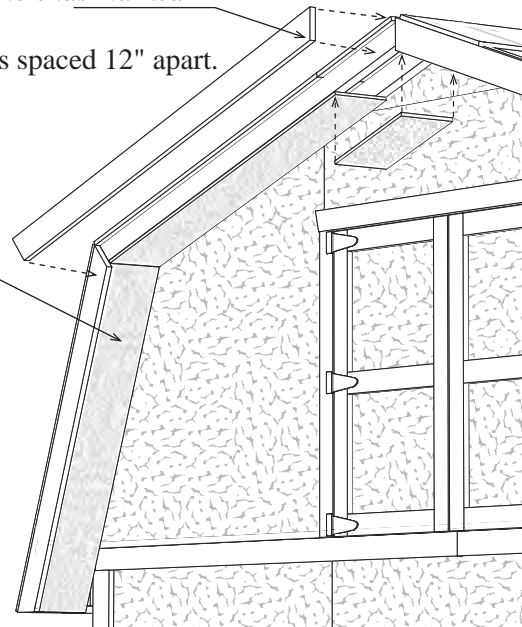
3. Install (2) two 1x4-61" gable trim boards, *with the ends marked with a blue line* together at the ridge.
Install trim boards with 6d galvanized box nails spaced 12" apart.

4. Install (2) two 43-1/2" long 1x4 trim boards on the sides.

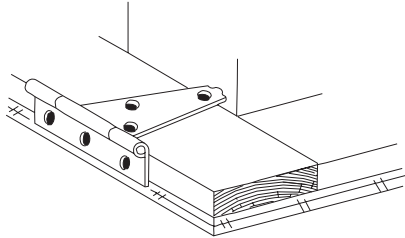
5. Cut to fit 7-1/2" wide soffit panels under the overhang. Use 6d galvanized nails.

6. Install 35-3/4" long 1x3 trim boards flush with each side of the loft door opening. Install a 50" long trim board across the top. *If door opening is cut out the siding will extend 3/4" below the top trim board.*

7. Install loft doors using 4" hinges and 1-1/4" long black screws. Install a 4" barrel bolt to the back of both doors using 1-1/4" black screws. Drill a hole in the Gable Plate for the round shaft to drop into.



Step 23 Install Doors



1. Lay the left door with the trim facing up. The siding on the left door extends past the door trim. See detail below.
2. Install 5" hinges to the left side of the door frame. To position the hinge properly, hold the rectangular plate against the frame. Use 2" black screws.
3. Install hinges to the right side of the other door.
4. Install 76-3/4" long trim boards along each side of the door opening. Tack these boards with a couple nails; you may want to move the trim later when you install the doors.
5. Install the 81-3/4" board, *that has angle cuts on both ends*, over the door opening.



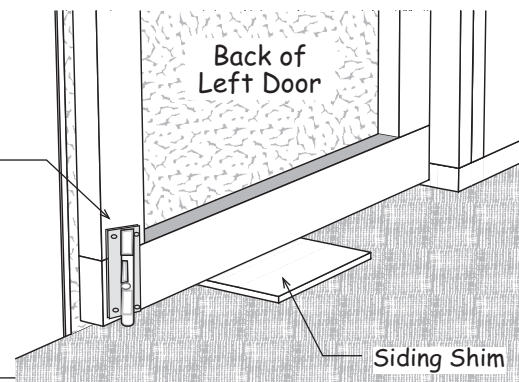
Before you fasten the hinges to the door trim, temporarily prop the doors in the opening. **Tip:** set the door stop on a piece of siding to help hold the door in place. Leave a space between the doors and the side trim to allow room for the doors to expand when they absorb moisture.

If your door opening is out of square, the space around the doors will not be even. You can reposition the side trim to make allowances for this. The side trim does not have to be flush with the frame of the door opening. You can move the trim in or out to make the door spacing equal.

Secure trim with 6d galvanized box nails spaced 12" apart.

Attach hinges to trim with 2" black screws.

Siding Extends Past Trim



6. Install a barrel bolt, on the lower back of the door with 1-1/4" black screws to secure this door in place when closed.. Drill a hole for the round shaft to drop into.
7. Install another bolt at the top of the door.
8. Install door latch with screws provided.

Siding Shim

Qty.	<i>2x4 Framing</i>		Size	Qty.	<i>Trim</i>		Size
10	Floor Joist for Loft		84 "	4	1x4	Gable Trim	61 "
44	Wall Studs		80 1/4"	4	1x4	Gable Trim	42 1/2"
2	Wall Studs wuth Door Jacks		80 1/4"	4	1x4	Lower Wall Trim	72 "
14	Wall Plates		72 "	4	1x4	Corner Trim	84 1/2"
12	Wall Plates & Floor Joist Ledgers		68 1/2"	4	1x4	Corner Trim	80 "
4	Gable Top Rafter		61 "	1	1x4	Door Trim	81 3/4"
4	Gable Side Rafter		34 3/4"	2	1x4	Door Trim	76 3/4"
10	Wall & Tie Plates		64 "	1	1x3	Loft Door Trim	50 "
6	Wall & Tie Plate Material		48 "	2	1x3	Loft Door Trim	35 3/4"
2	Gable Studs		50 "	Pre-built Components			
4	Gable Studs		40 3/4	18	Pre-built Truss Halves		
4	Gable Studs		30 3/4	6	3-1/2" x 65-1/4" Pre-built Soffit Boards		
2x6 Framing				2	3-1/2" x 48" Pre-built Soffit Boards		
2	Door Header		75 "	2	36" x 76" Pre-built Barn Doors		
6	Beam Material		72 "	2	21" x 35-1/2" Loft Door Frames		
4	Beam Material		36 "	Hardware			
2x3 Framing				5	lb. 10d Sinkers	38	7/16" Plyclips
4	Gable Extension	<i>top</i>	61 "	5	lb. 6d Galv.		
4	Gable Extension	<i>side</i>	42 1/2"	5	lb. 6d Common		
2	Gable Extension Blocks		4 1/2"	14	1x4 Drive-on Plate	38	Truss Hangers
Miscellaneous Lumber				6	4" Door Hinges		1 Door Hasp
10	2x4 Blocks for Truss Jig		10" to 12"	6	5" Door Hinges		2 Barrell Bolts
1	OSB Door Header Filler		5" x 75"			100	Wood Screws
18	Wood Gussets for Trusses		12" x 32"				
2	Wood Gussets for Trusses		9" x 12"	2	3/4" OSB Gable Nailer		3-1/2" x 42-3/4"
2	7/16" Loft Floor Fillers		3-1/2" x 56"	7/16" OSB Sheathing			
Lower Wall Siding		Gable Siding & Soffit		6	48" x 72"		2 48" x 36"
14	48" x 84"		4 48" x 55-1/4"	4	44" x 72"		6 48" x 48"
2	12" x 84"		4 24" x 37"	4	42" x 72"		4 13" x 72"
2	7-3/4" x 36"		4 7-1/2" x 48"	2	42" x 48"		2 13" x 60"
			2 7-1/2" x 24	2	42" x 60"		2 13" x 48"

Roof Material: 12 bundle shingles, 9 pcs. 10' metal roof edge, optional felt paper 1 roll