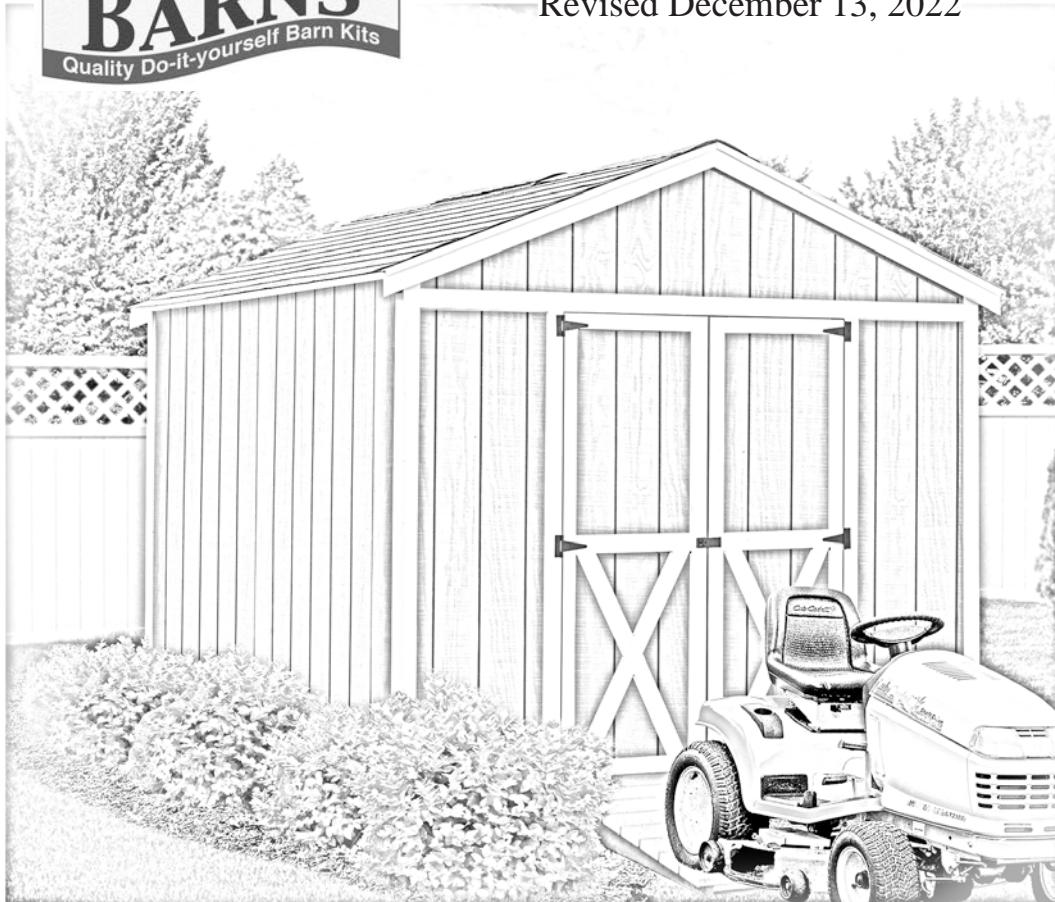




Best Barns USA

Assembly Book

Revised December 13, 2022



the Danbury

8' x 12'

Manufactured by RBS Holdings, LLC

205 Arlington Drive

Greenville, PA 16125

This manual is copyrighted. Under the copyright laws, this manual may not be copied, in whole or in part, without consent from

RBS Holdings, LLC

© Copyright 2022

IMPORTANT INFORMATION ABOUT YOUR KIT

Thank you for purchasing our kit. Please read the following information before beginning construction. Always check with your local HOA or building code office for any requirements or restrictions.

Floor: Wood flooring is sold optionally. You may choose to build your own or pour a cement pad.

Always wear safety glasses when cutting or nailing!

Tools Required:	Hand or Circular Saw	Level	Safety Glasses
	Cordless Drill	Measuring Tape	Dust Mask
	Hammer	6'-8' Ladder(s)	Phillips Screwdriver
	Pencil		Framing Square

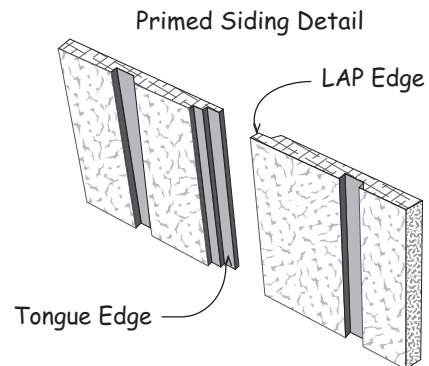
Additional Materials - **Not included in kit:**

Required: Shingles or metal roofing, Drip Edge, Roofing Nails or Screws, Paint

Optional: Caulk, Ridge Vent

Terminology:

Square - Confirm corners are at 90 degrees
Plumb - Confirm walls and trusses are straight vertically
Wall Plate - Top and bottom 2x4s used to frame walls
Tie Plate - 2x4s connecting wall sections together
Header - Spans top of door opening
OSB - Oriented Strand Board
LAP - Edge of siding that overlaps Tongue
Tongue - Edge of siding that is overlapped



Organize:

Unpack all items & organize according to size and type. This will make items easier to find when instructed.

Review the parts list on the back page. Should there be missing items or sub-par material contact Best Barns Customer Service.

DO NOT discard any material including the pallet until your project is complete.

Assembly:

Review all instructions before you begin. Please follow steps carefully and in sequence for successful results.

If you have any questions we are happy to assist you. Please contact us at:

800-245-1577 - Mon - Fri 8AM - 5PM EST

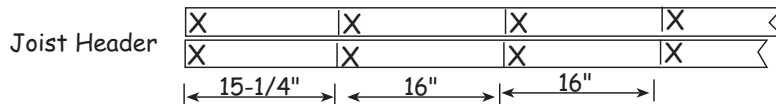
724-866-4357 - After hours and weekends

Email - questions@barnkits.com

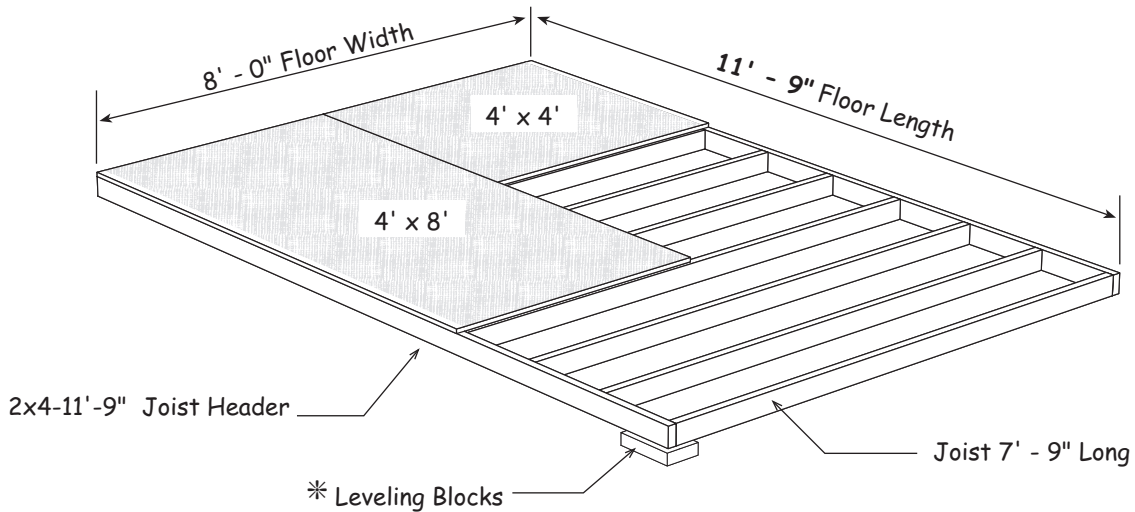
Construction Details for Optional Floor System

Check local building codes in your area, the construction may have to change. For a concrete slab, install sill sealer as a moisture barrier between the concrete and the wall plates. Foam sill sealer can be purchased at home centers in rolls 3-1/2" or wider.

1. Treated lumber is not cut to exact length. Cut (2) two 2x4-12' boards to **11'-9"**. Layout for 16" on center joist spacing. 'X' marks where floor joist will be placed.



2. Cut 2x4-8' floor joists to a length of 7'-9". *Treated lumber may be thicker than 1-1/2". Take this into account when cutting the length of floor joists. Shorten joist measurements if necessary to obtain 8'-0" building width.*
3. Install the floor joists, *over the 'X' marks*, between the joist headers. Use 16d galv. deck nails.




* *If necessary use bricks, patio stones or similar material to level or provide additional support to the floor. If your ground has low areas consider adding gravel and or 4x4 treated timbers to rest the floor on. If you use 4x4 timbers you will need (3) three pieces 12' long.*

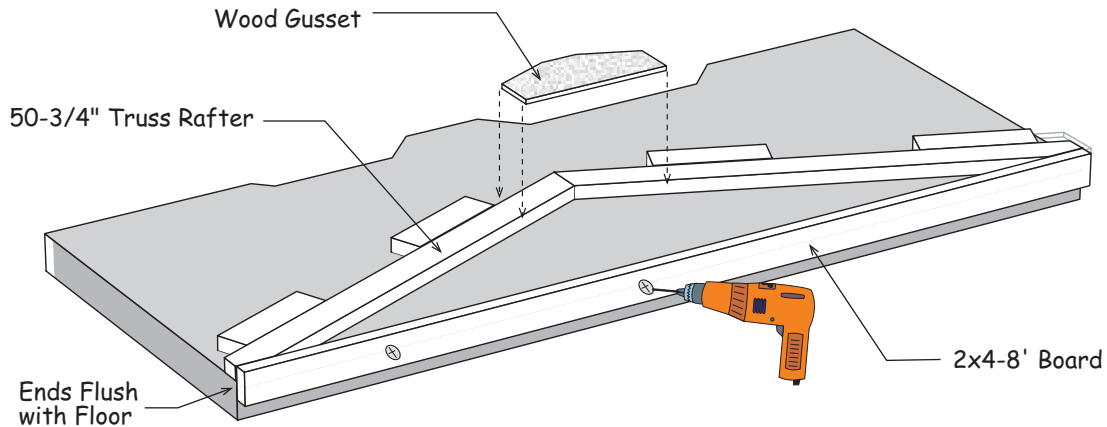
Material Description	8' x 12' Floor	
2x4 Treated Headers	2 pcs.	12'
2x4 Treated Floor Joist	10 pcs.	8'
Flooring 5/8" 4x8	3 pcs.	4x8
8d Screw Floor Nails	1 lb.	8d
16d Galv. Box Nails	1 lb.	16d

It is important that the floor be level and square. Before nailing the flooring, measure the floor diagonally (corner to corner). Then measure the opposite corners. These measurements will be the same if the floor is square (170-1/2").

Step 1 Assemble Roof Trusses

 It is important that all the trusses be assembled the same. While assembling first truss temporarily screw 1x4 or 2x4 blocks to the work surface against the top of rafters. These blocks maybe 8-12" long and could have angle cuts.

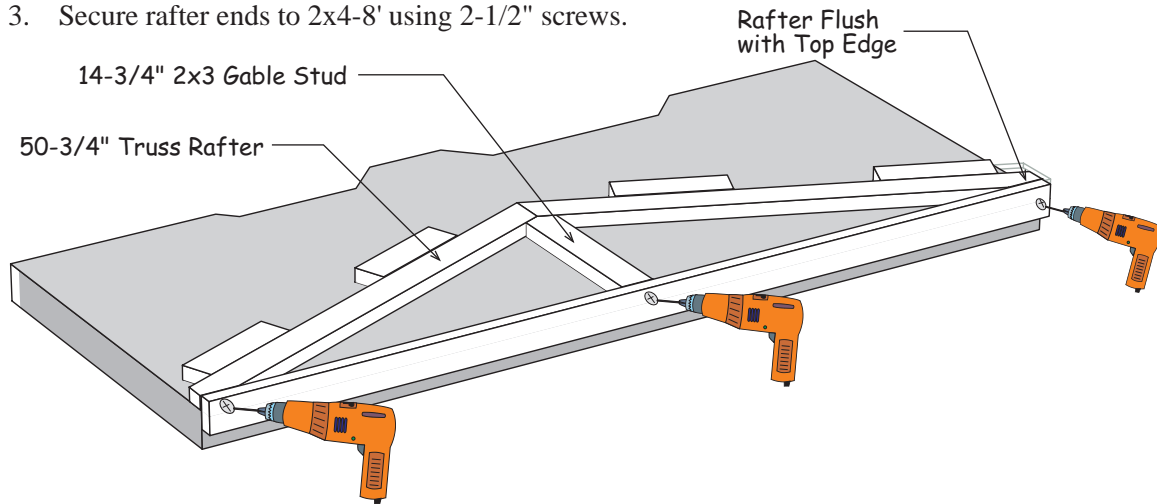
1. Temporarily install a 2x4-8' board, *to the end of the floor*, extending 1-1/2" above the surface of the floor. This will secure the bottom of the truss during construction. Use 2-1/2" screws.
2. Position two 50-3/4" long 2x4 truss rafters together. Secure the tops together with a wood gusset. Nail the wood gusset with (10) ten 6d common nails. **Do Not** attach the truss rafters to the 8ft. long 2x4. Turn truss over and apply wood gusset to the opposite side.
3. Repeat to assemble (4) four more trusses.



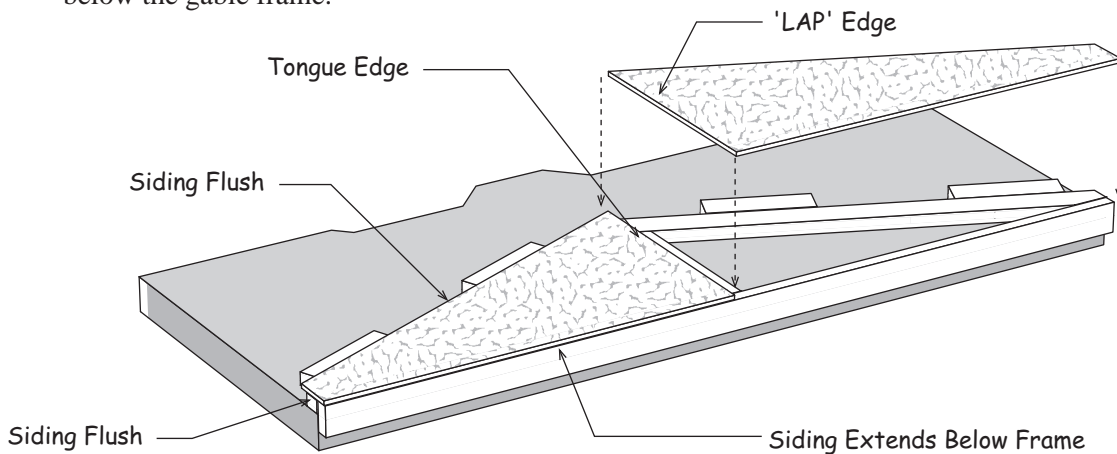
4. Set trusses aside. Leave 2x48' board attached to floor for next step.

Step 2 Assemble Gables

1. Position (2) two 50-3/4" long 2x4 truss rafters together. Rafters should be flush with top edge of 8' long 2x4.
2. Install a 14-3/4" long 2x3 gable stud, with a angle cuts on one end, in the center. Secure the bottom by screwing through the bottom 2x4-8' with 2-1/2" screws. Siding will secure the top to rafters.
3. Secure rafter ends to 2x4-8' using 2-1/2" screws.



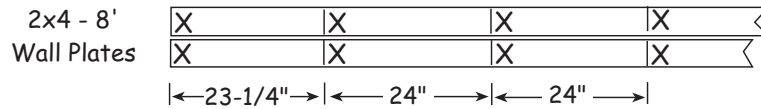
4. Install gable siding over the gable frame. Use 6d galv nails spaced 8" apart. The siding will be flush with the top and end of the 2x4 frame and extend below the gable frame.



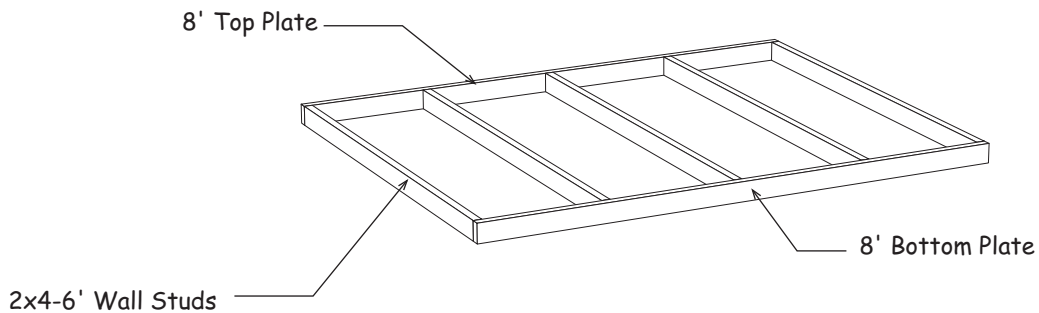
5. Unscrew the bottom 2x4-8' from floor and remove the gable frame.
6. Assemble another gable using another 2x4-8' board, rafters, gable stud and siding.
7. Remove short blocks from work surface. Set gables aside.

Step 3 Assemble Back Wall

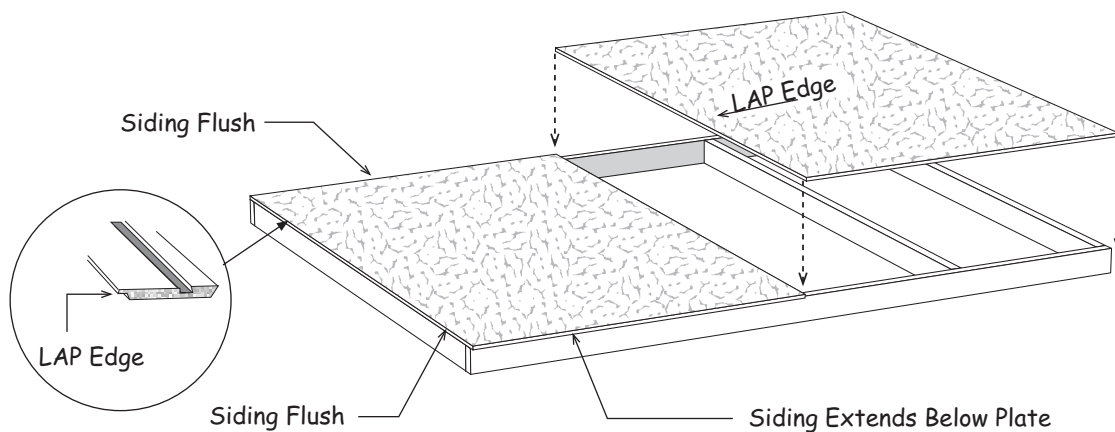
1. Gather (2) two 2x4-8' boards. Layout boards for wall stud spacing. Indicate with 'X' marks where the wall studs will be placed.



2. Install (5) five 72" wall studs between the top and bottom plates. Secure studs with 10d sinkers, use two (2) nails at each stud end.

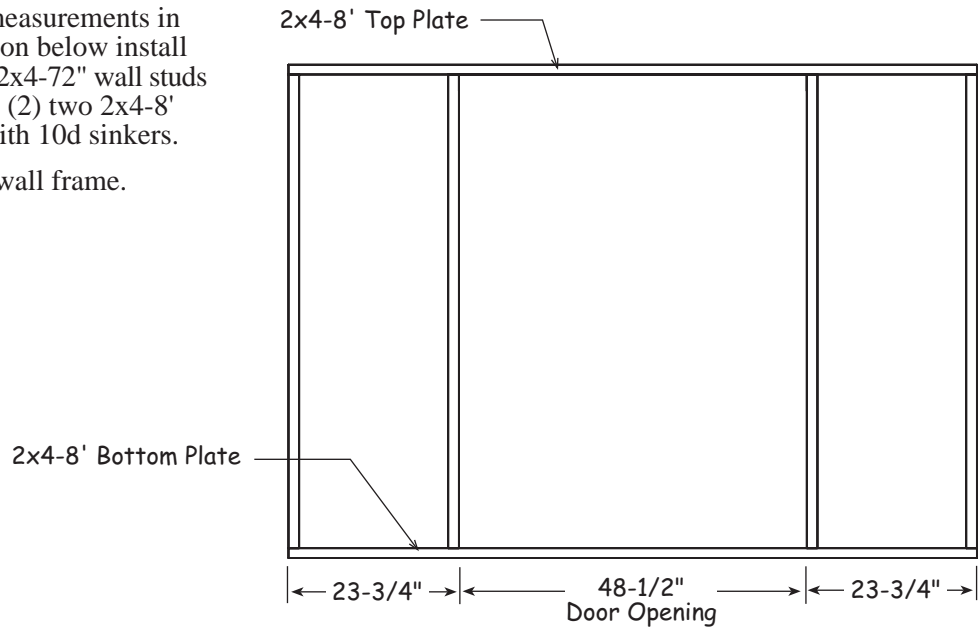


3. Square wall frame. *Measure diagonally (corner to corner). The measurements will be the same when the wall is square.*
4. Locate (2) two 48" x 75-3/4" siding panels. Install the first panel with the 'LAP' edge flush with the end and cut edge flush with top of the wall frame. Install siding with 6d galv. nails. Space nails 8" apart.
5. Install the second siding panel.

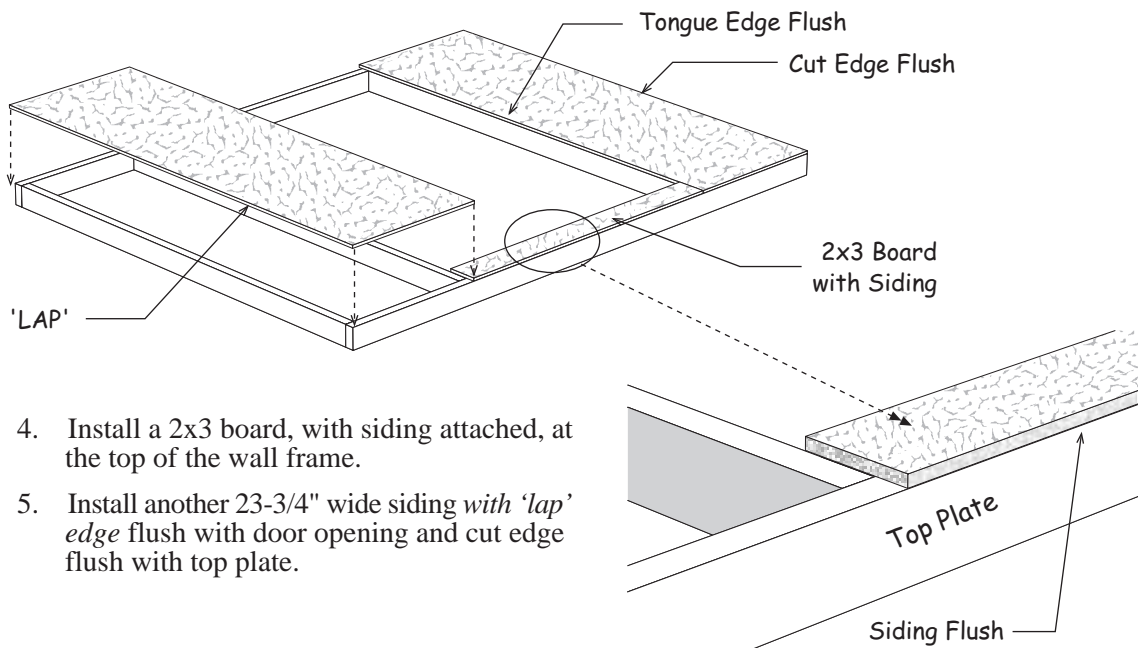


Step 4 Assemble Front Wall

1. Using measurements in illustration below install (4) four 2x4-72" wall studs between (2) two 2x4-8' plates with 10d sinkers.
2. Square wall frame.



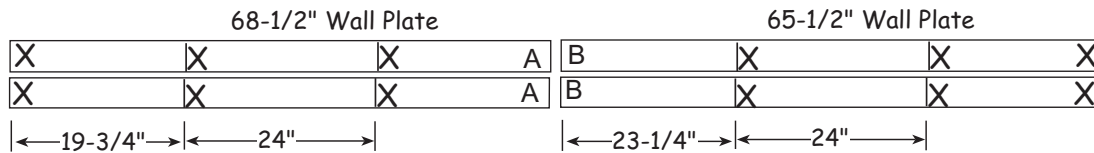
3. Install a 23-3/4" x 75-3/4" wall siding with *'tongue'* edge flush with the door opening and cut edges flush with end stud and top plate.



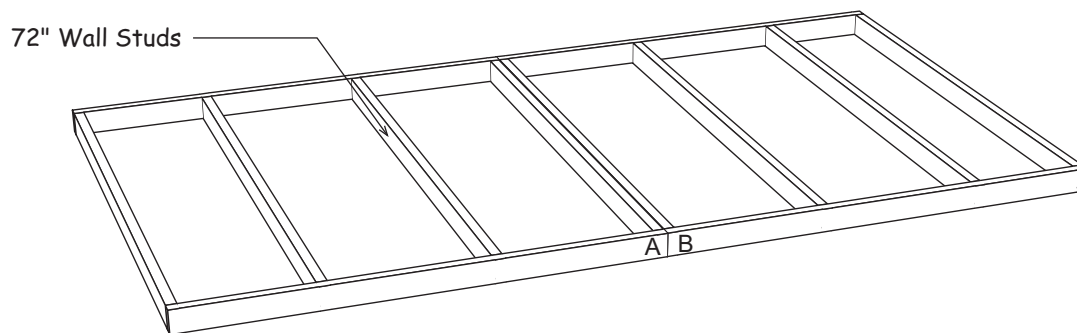
4. Install a 2x3 board, with siding attached, at the top of the wall frame.
5. Install another 23-3/4" wide siding with *'lap'* edge flush with door opening and cut edge flush with top plate.

Step 5 Assemble Side Walls

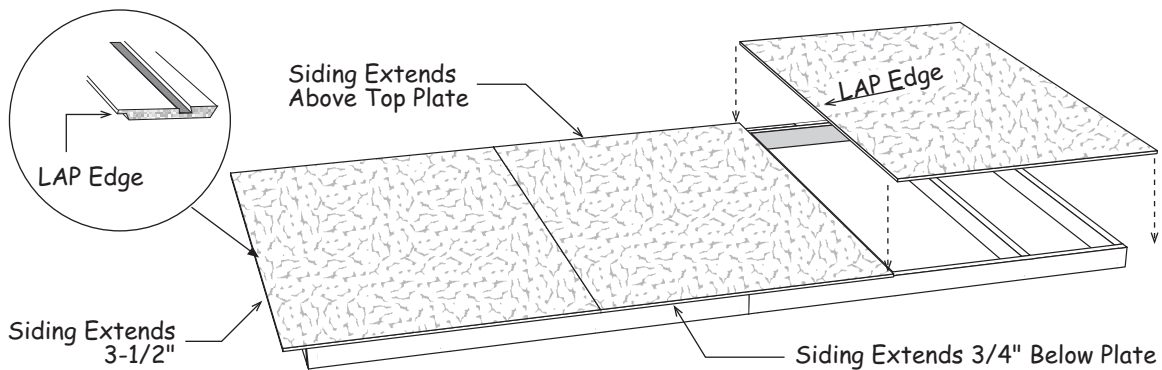
1. Position 68-1/2" and 65-1/2" 2x4 boards together and indicate with 'X' marks, where the wall studs will be located. Mark the ends that will butt together with the letters 'A' and 'B'.



2. Install 72" wall studs between the top and bottom plates. Assemble wall frames with 10d sinkers. Nail wall frames together with (4) four 10d sinkers staggered on each side.



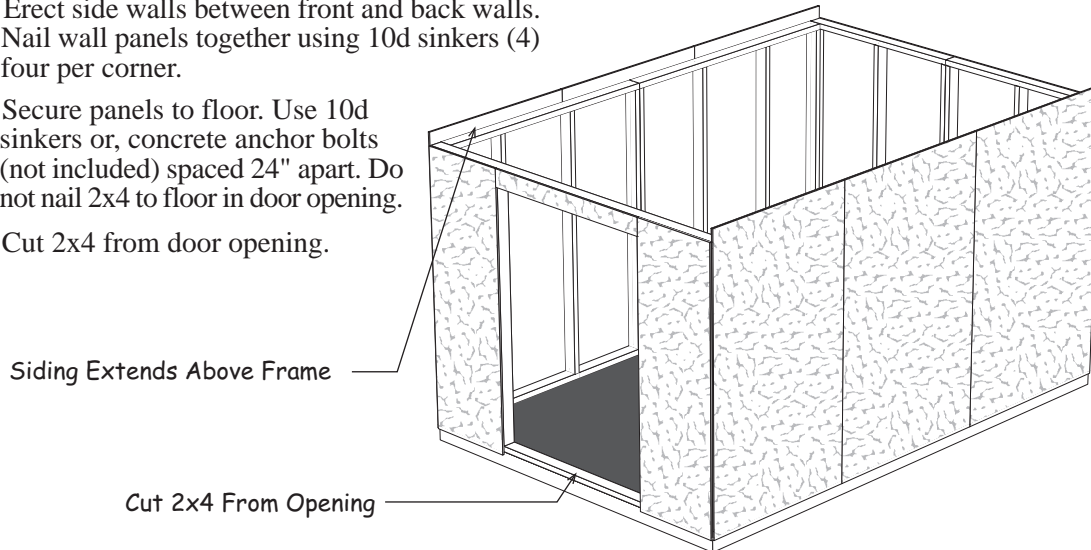
3. Square wall frame. Angle measurement should be 153-1/2" when squared. Install (2) two 48" x 79-1/4" siding panels. Install the first siding panel with the 'LAP' edge extending 3-1/2" past the end of the wall frame. Insure siding extends 3/4" below the bottom plate. Siding will extend above top plate.
4. Install a 45" wide siding panel last. The panel will extend 3-1/2" past the wall frame.



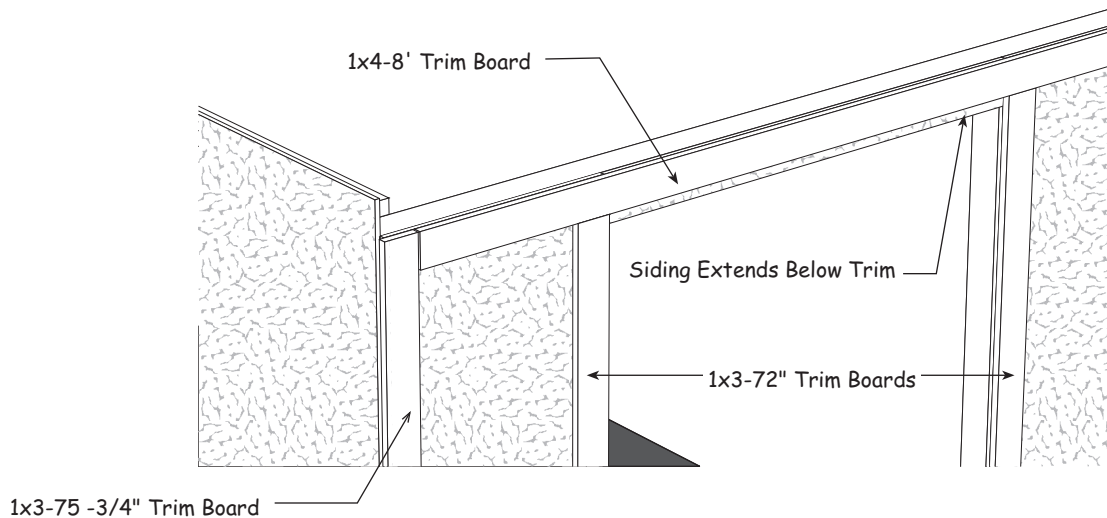
5. Repeat steps to assemble another side wall panel.

Step 6 Set Wall Panels and Install Trim

1. Erect side walls between front and back walls. Nail wall panels together using 10d sinkers (4) four per corner.
2. Secure panels to floor. Use 10d sinkers or, concrete anchor bolts (not included) spaced 24" apart. Do not nail 2x4 to floor in door opening.
3. Cut 2x4 from door opening.



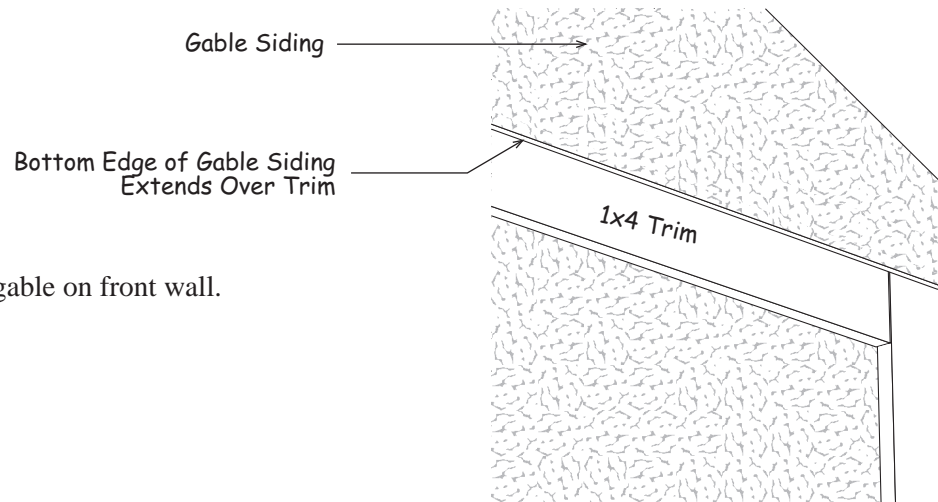
3. Install 1x3-75 -3/4" trim boards at the front corners. Install the trim flush with siding on the side walls. Use 6d galv. nails, spaced 12" apart.
4. Cut a 1x4-8' trim board to fit and install between the corner trim, flush with the top of the wall plate.
5. Repeat steps to install trim on the back wall.



6. Install 1x3-72" boards along each side of the door opening. Tack these boards temporarily with a couple nails; you may want to move the trim later when you install the doors.

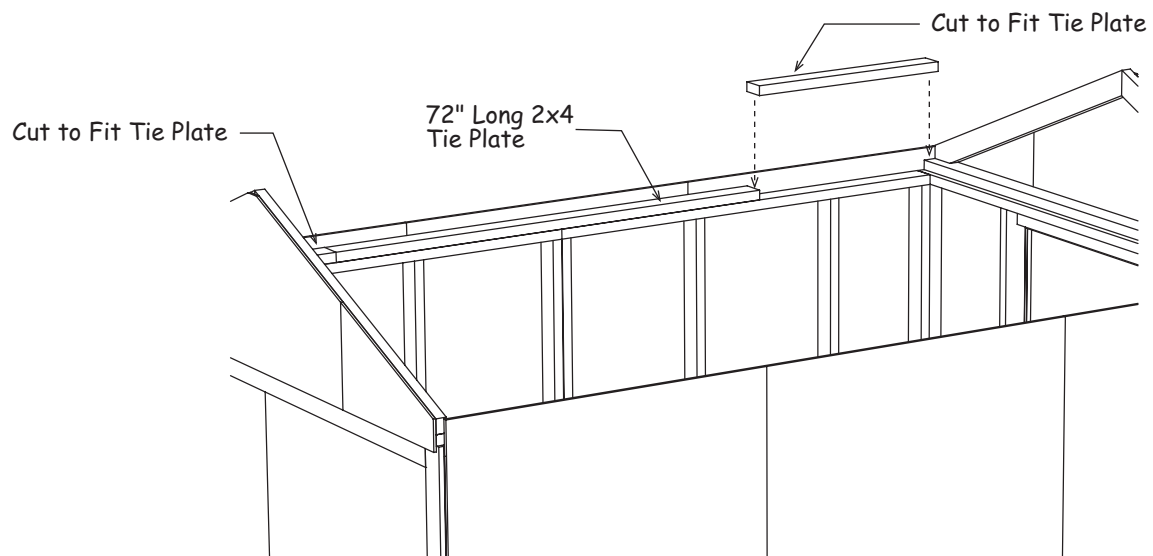
Step 7 Set Roof Gables

1. Install the rear gable on the back wall. The gable siding will extend over the 1x4 trim on the lower wall. **NOT behind the trim!** Secure gable to wall by nailing through the gable plate with 10d sinkers spaced 16" apart. Nail siding along the 1x4 trim board with 6d galv. nails.



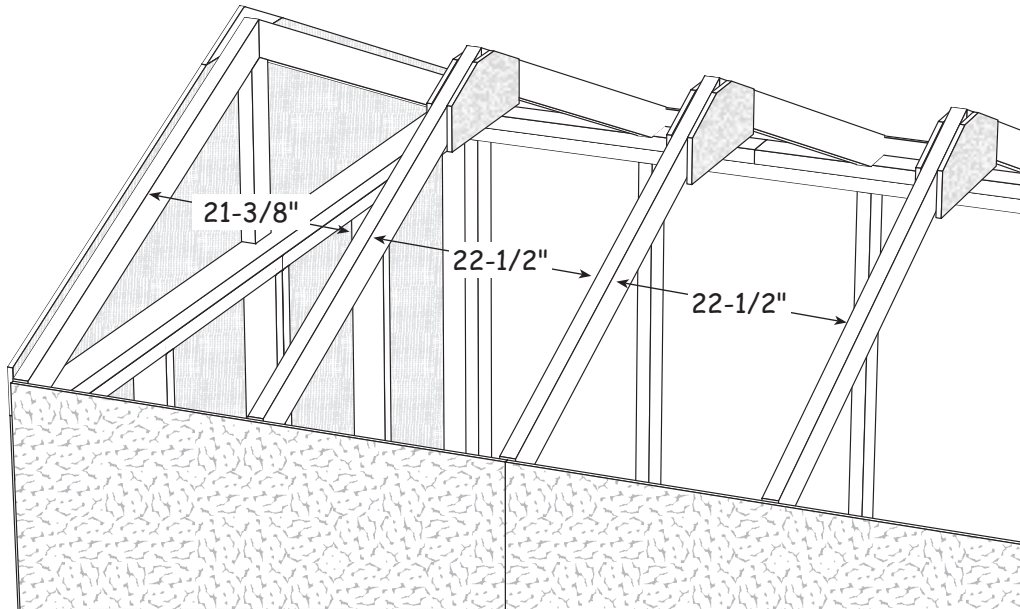
2. Install gable on front wall.

3. Install (2) two 72" long 2x4s as tie plates on the side walls. Install a 2x4 in the center of the wall overlapping where the walls butt together. Cut the other 2x4 into (2) two pieces so to fit between the center 2x4 and the gable ends. Use 10d sinkers spaced 16" apart.
4. Repeat to install tie plates on the opposite side.



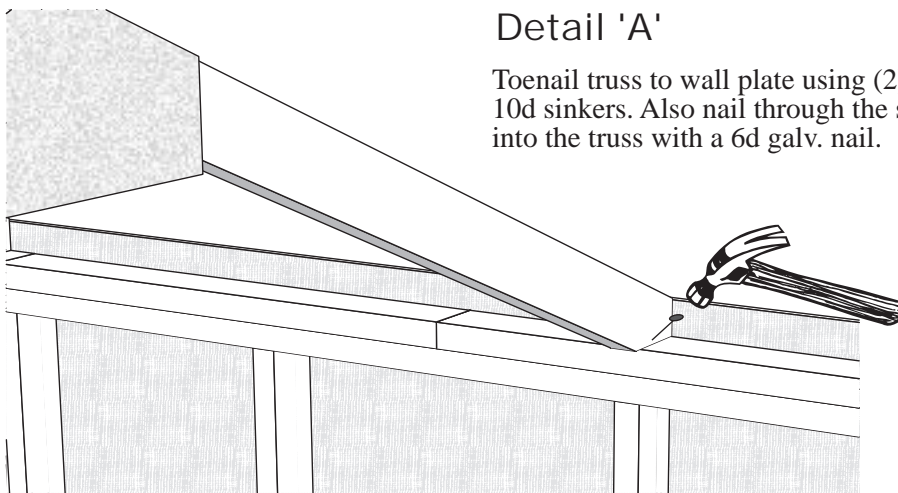
Step 8 Set Trusses

1. Starting at the back of the building. Set the first truss with a $21\text{-}\frac{3}{8}$ " space between the truss and the rear gable. Toenail truss to tie plate with a 10d sinker on either side. See Detail 'A' below.
2. Set the remaining trusses spaced $22\text{-}\frac{1}{2}$ " apart.



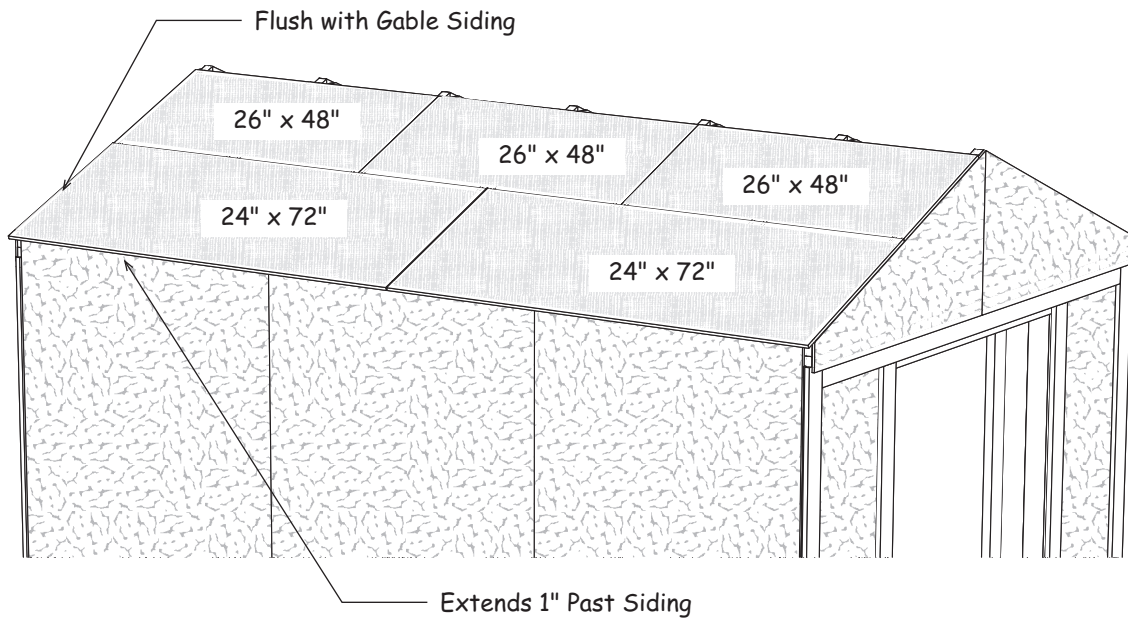
Detail 'A'

Toenail truss to wall plate using (2) two 10d sinkers. Also nail through the siding into the truss with a 6d galv. nail.



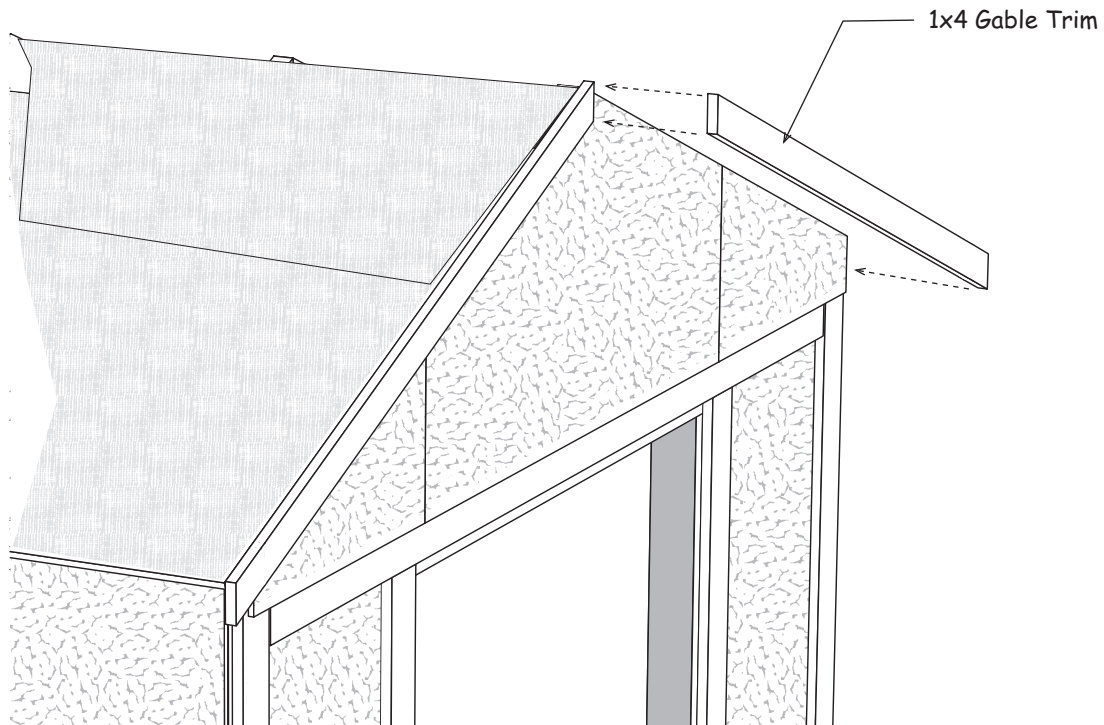
Step 9 Install Roof Sheathing

1. Install the roof sheathing per the layout below. Starting from back gable install 24"x72" sheathing flush with gable siding and 1" past siding on side wall. Sheathing will be below peak of trusses approximately 1-1/2" to allow for ridge venting if purchased. Use 6d common nails spaced 12" apart.



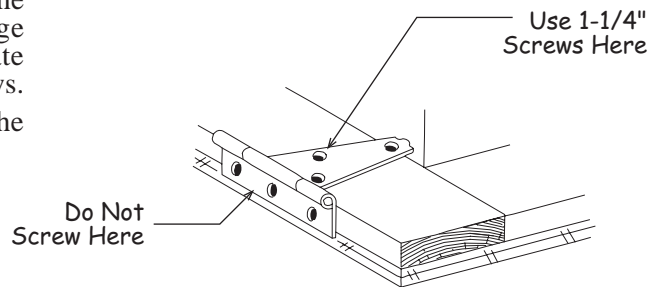
Step 10 Install Gable Trim

1. Install 1x4 gable trim at the front and back of the building. Top of trim will be flush with roof sheathing.

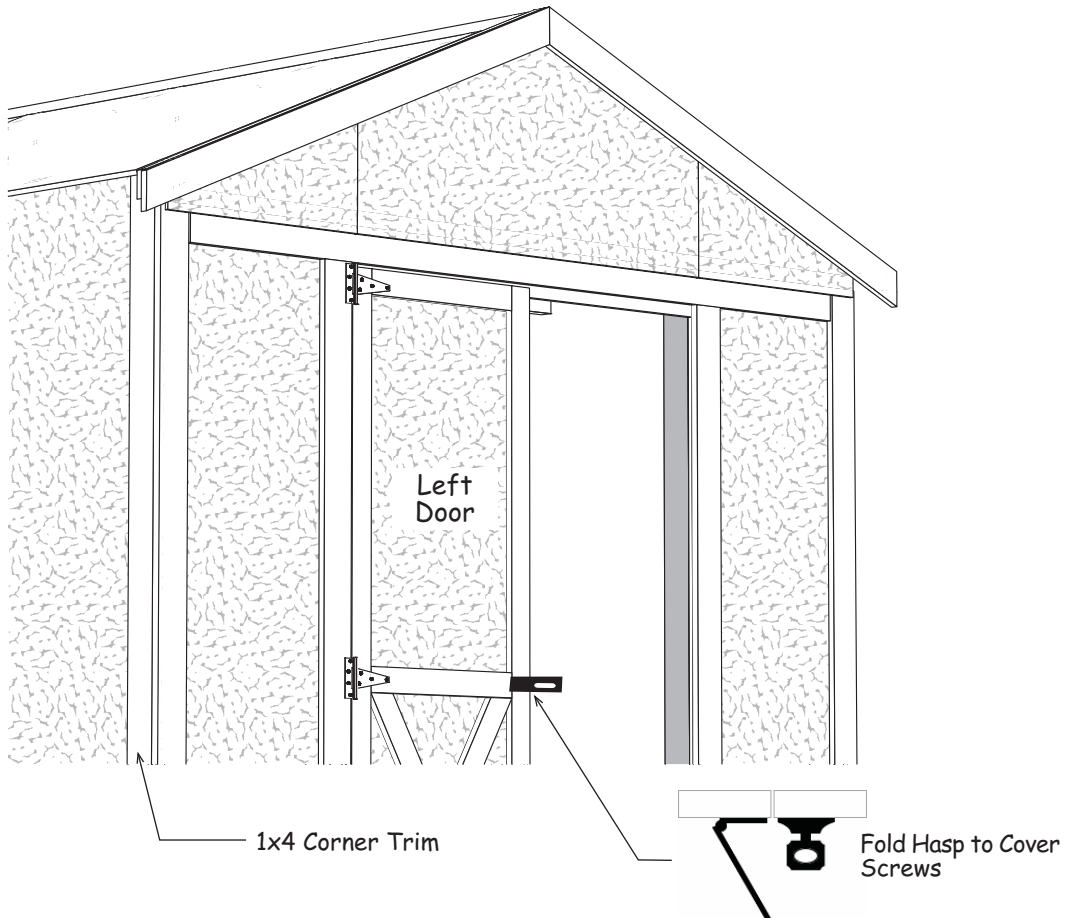


Step 11 Install Door Hinges

1. Place the left door with the trim facing up. The left door has a 2x4 installed on the back extending past trim and siding, see **Step 13**.
2. Install 4" hinges to the left side of the door frame. To position the hinge properly, hold the rectangular plate against the frame. Use 1-1/4" screws.
3. Install hinges to the right side of the other door.



Step 12 Install Doors & Side Wall Trim



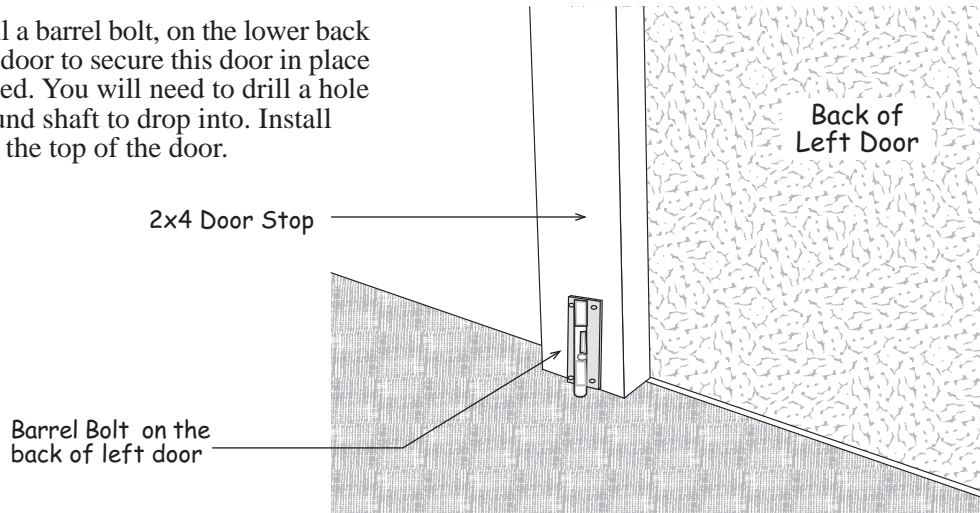
1. Install 1x4 corner trim on the side walls. Edge of trim should be flush with face of front and back wall trim.
2. Before you fasten the hinges to the door trim, temporarily prop the doors in the opening. Leave a space between the doors and the side trim to allow room for the doors to expand due to changes in weather.

If your door opening is out of square, the space around the doors will not be even. You can remove and reposition the side trim to make allowances for this. The side trim does not have to be flush with the frame of the door opening. You can move the trim in or out to make the door spacing equal. Adjust trim, if necessary, and then secure with 6d galv. nails. Secure hinges to the door trim with 2" long screws.

3. Install door latch.

Step 13 Install Barrel Bolt

1. Install a barrel bolt, on the lower back of the left door to secure this door in place when closed. You will need to drill a hole for the round shaft to drop into. Install another at the top of the door.



Step 14 Install Roofing — Not Supplied in Kit

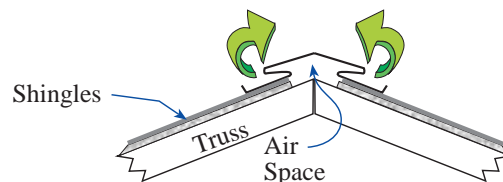
Install shingles according to the instructions on the wrapper.

Building Tip: Install ridge vent in lieu of shingles caps. Ridge vent provides ideal ventilation, preventing heat and moisture from damaging your building or its contents.

You will need to purchase.

- 5 Bundle roof shingles with nails.
- 5 Pieces roof 'drip' edge.

Optional ridge vent provides ideal ventilation.



Danbury 8'x 12' Packing List

Qty.	Description	Size
	2x4 Framing	
4	Tie Plates (attached to pallet)	80 "
14	Truss Rafters	50 3/4"
6	Plate Material	96 "
29	Wall Studs	72 "
4	Plate Material	68 1/2"
4	Plate Material	65 1/2"
4	Tie Plate Material	48 "
	2x3 Framing	
1	Door Header w/ siding	48 1/2"
2	Gable Studs	14 3/4"
	LP Exterior Siding	
4	Pcs. 48" x 79-1/4" Side Wall Siding	
2	Pcs. 45" x 79-1/4" Side Wall Siding	
2	Pc. 48" x 75-3/4" Back Wall Siding	
2	Pcs. 24" x 75-3/4" Front & Back Walls	
4	Pcs. Gable Siding 20-1/2" x 48"	

Qty.	Description	Size
	W Trim	
4	1x4 Gable Trim	51 3/4"
4	1x4 Corner Trim	78 3/8"
4	1x3 Corner Trim	75 3/4"
2	1x3 Door Side Trim	72 "
2	1x4 Lower Gable Trim	96 "
2	24" Wide Barn Doors	24" x 72"
	Hardware	
2	lb. 10d Sinkers	25 2" Black Screws
2	lb. 6d Galv.	25 1-1/4" Black Screws
2	lb. 6d Common	6 4" Hinges
		1 4" Door Hasp
		2 Barrel Bolts
	7/16" Roof Sheathing	
4	24" x 72"	6 26" x 48"
	7/16" Wood Gussets	
10	8" x 12" Wood Gussets	