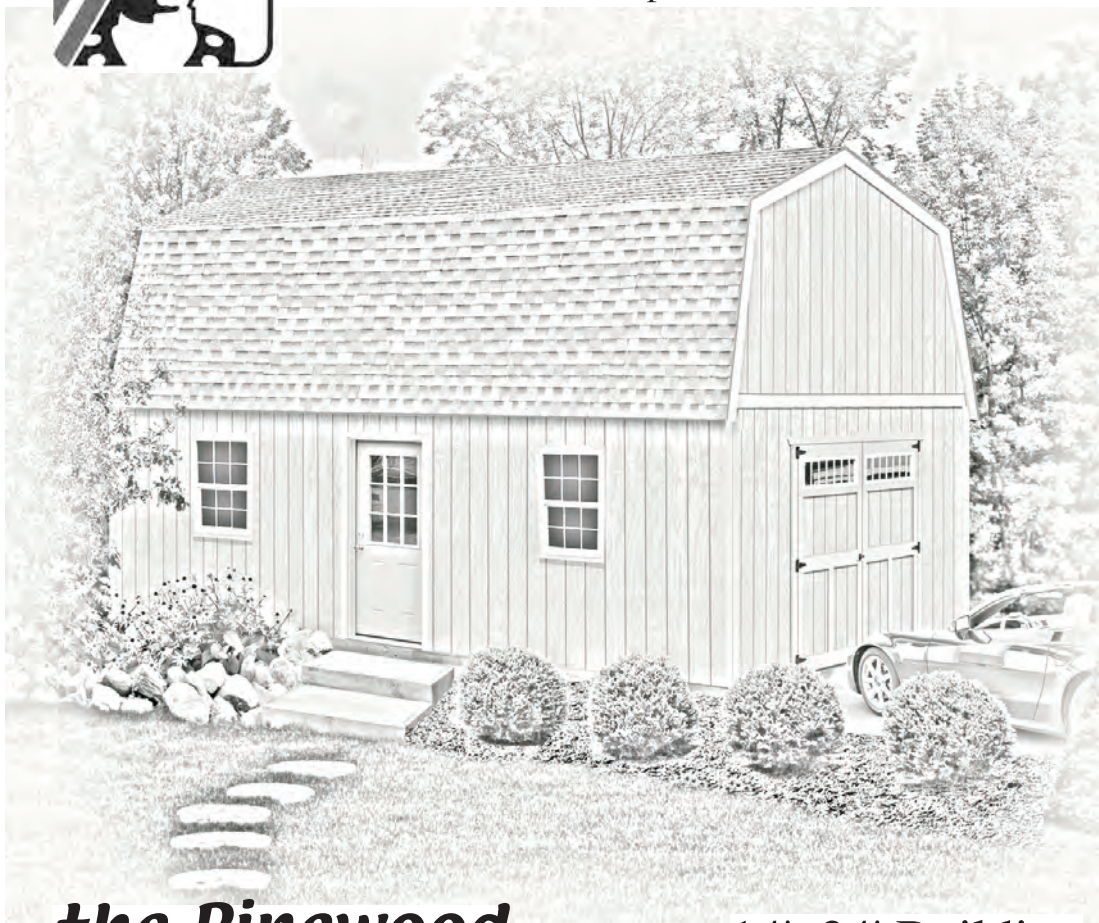




Sentry Buildings

Assembly Book

Revised September 9, 2024



the Pinewood

14'x24' Building

Manufactured by RBS Holdings, LLC

205 Arlington Drive

Greenville, PA 16125

This manual is copyrighted. Under the copyright laws, this manual may not be copied, in whole or in part, without consent from

RBS Holdings, LLC

© Copyright 2022

IMPORTANT INFORMATION ABOUT YOUR KIT

Thank you for purchasing our kit. Please read the following information before beginning construction. Always check with your local HOA or building code office for any requirements or restrictions.

Floor: Wood flooring is sold optionally. You may choose to build your own or pour a cement pad.

Always wear safety glasses when cutting or nailing!

Tools Required:	Hand or Circular Saw	Level	Safety Glasses
	Cordless Drill	Measuring Tape	Dust Mask
	Hammer	6'-8' Ladder(s)	Screwdriver with Bits
	Pencil	Scaffolding	Framing Square

Additional Materials - **Not included in kit:**

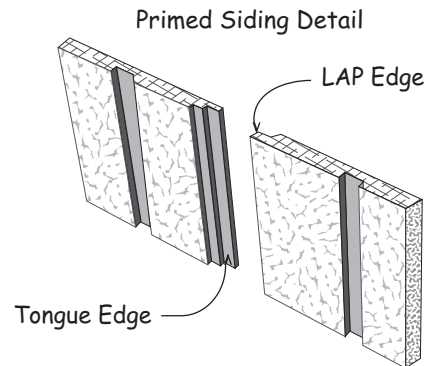
Windows are purchased separately

Required: Shingles or metal roofing, Drip Edge, Roofing Nails or Screws, Paint, Class 25 Sealant

Optional: Caulk, Ridge Vent

Terminology:

Square - Confirm corners are at 90 degrees
Plumb - Confirm walls and trusses are straight vertically
Wall Plate - Top and bottom 2x4s used to frame walls
Tie Plate - 2x4s connecting wall sections together
Header - Spans top of door opening
OSB - Oriented Strand Board
LAP - Edge of siding that overlaps Tongue
Tongue - Edge of siding that is overlapped



Organize:

Unpack all items & organize according to size and type. This will make items easier to find when instructed.

Review the parts list on the back page. Should there be missing items or sub-par material contact Best Barns Customer Service.

DO NOT discard any material including the pallet until your project is complete.

Assembly:

Review all instructions before you begin. Please follow steps carefully and in sequence for successful results.

If you have any questions we are happy to assist you. Please contact us at:

800-245-1577 - Mon - Fri 8AM - 5PM EST

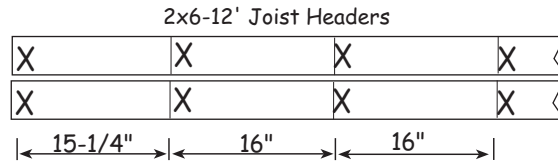
724-866-4357 - After hours and weekends

Email - questions@barnkits.com

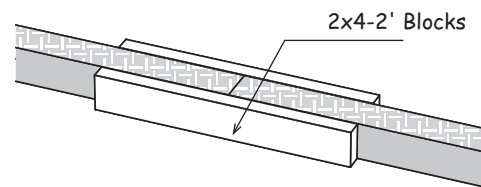
Suggested Constructing Details for Heavy Duty Floor System

Do Not make the foundation larger than 14' x 24'. Check local building codes in your area, the construction may have to change. Depending on your intended use of storage a cement slab may be more appropriate.

1. Cut (2) two 2x6-12' boards to 12' - 0". Layout for 16" on center joist spacing. 'X' marks where floor joist will be placed.



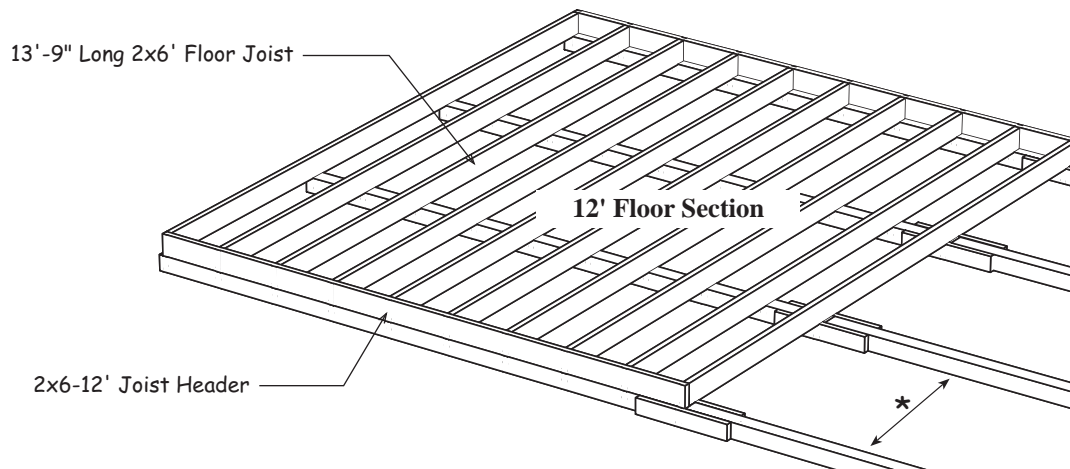
2. Cut (2) two 2x4-8' boards into 2' long blocks. Butt (2) two 4x4-12' timbers together to make a 24' runner. Secure the 4x4s together with the 2' long 2x4 blocks and 16d galvanized nails.



3. Assemble (3) more 24' runners.

4. Cut (10) ten 2x6-16' floor joist to 13'-9". Save the cutoffs, they will be used for solid blocking. *Treated lumber may be thicker than 1-1/2". Take this into account when cutting the length of floor joists. Shorten joist measurements if necessary to obtain 14'-0" building width.*

5. Install the floor joists cut above between the 12' joist headers. Secure with 16d galv. deck nails.



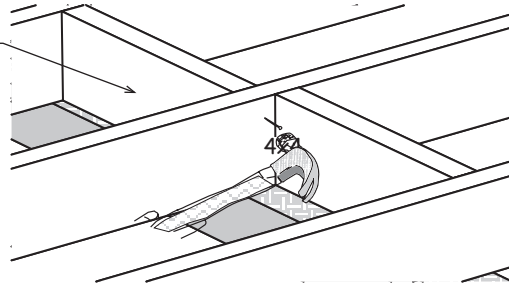
* Space equality apart or if storing a car or heavy tractor, locate runners under the tires.

6. Repeat steps to assemble another 12' x 14' floor section.
7. Install this floor section next to the 'rear section' and nail the floor section together 16d galvanized nails.

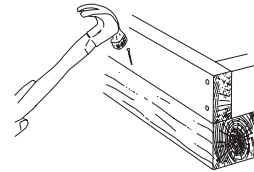
Constructing Details for Floor System continued

8. Cut leftover 2x6 boards to length and install between the floor joist over the center 4x4 runners. Stagger the 2x6 blocks to make it easier to nail the block between the joist.

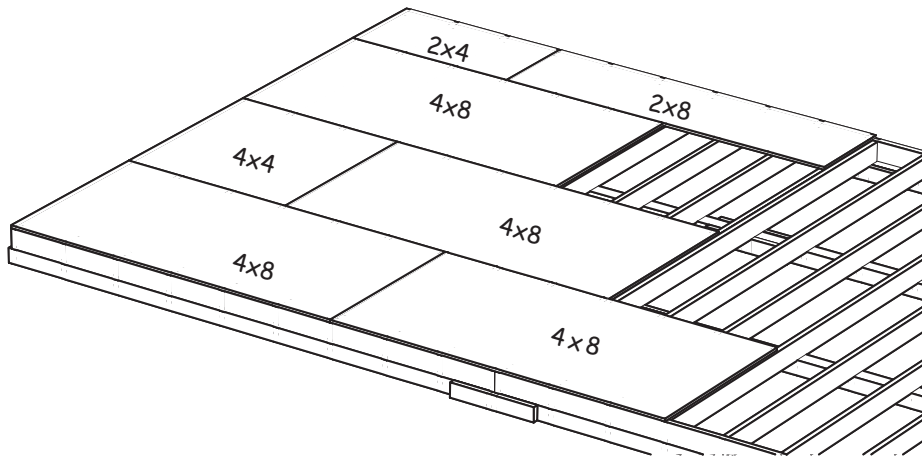
Stagger Solid Blocking
over Center Runners



9. It is important that the floor be level and square. Measure the floor diagonally (corner to corner). Then measure the opposite corners; these measurements will be the same (27' 9-3/8") when the floor is square. Toenail frame to the 4x4 runners.



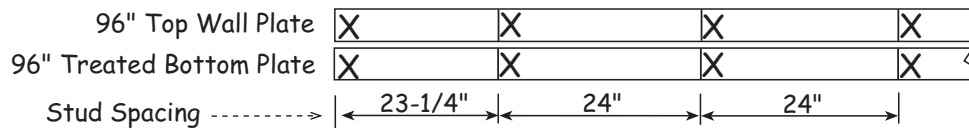
10. Cut 4x8 flooring, *where necessary*, and install the flooring with 8d galvanized nails spaced 8" apart.



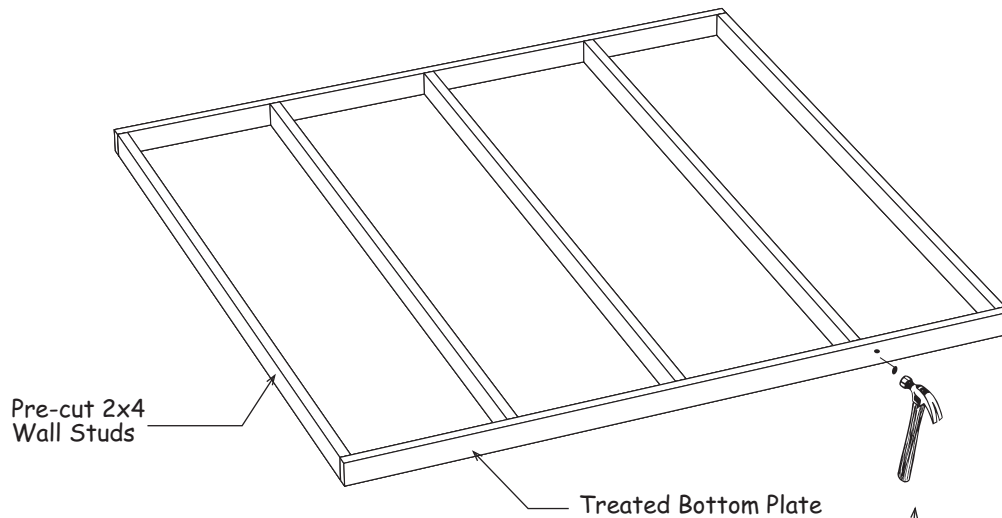
Material Breakdown for Wood Floor					
2	ea.	Treated Blocking	2x4 - 8'	11	ea. 3/4" Plywood Sheathing 4x8
20	ea.	Treated Floor Joist	2x6 - 16'	8	ea. 4x4 Treated Runners 12'
4	ea.	Treated Joist-Headers	2x6 8'	5	lb. Screw Floor Nails 8d
2	ea.	Treated Joist-Bridging	2x6 12'	5	lb. Galv Deck Nails 16d

Step 1 Assemble (3) Three 8' Back Wall Frames

1. Cut, if necessary, (2) two 2x4-8' (one will be treated) to a length of 96". Position the boards together and indicate with 'X' marks where the wall studs will be located.



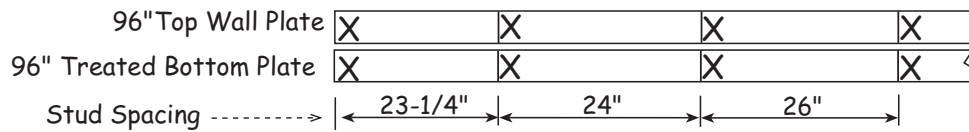
 ***The length of pre-cut wall studs will vary from 92-1/4" to 93" depending on your locality.***



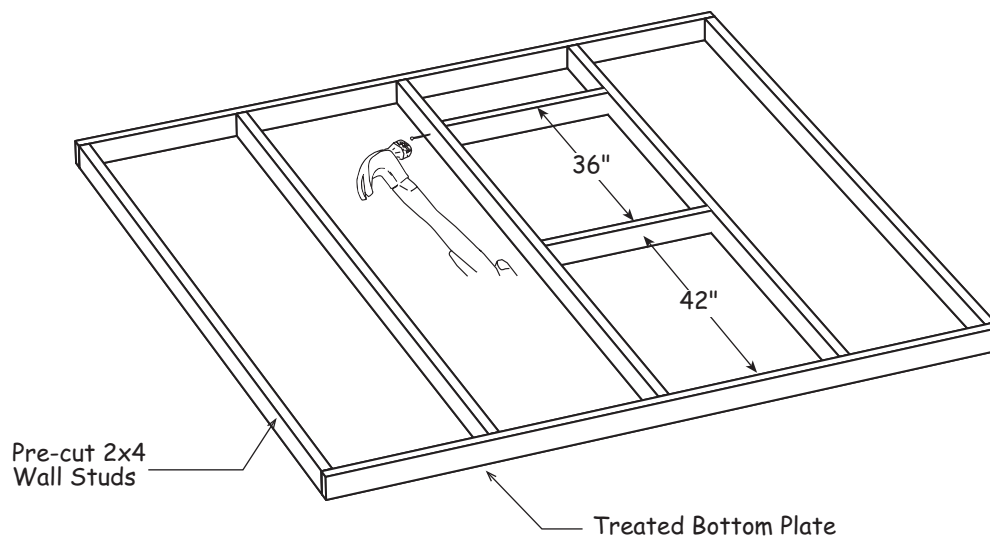
2. Install (5) five pre-cut wall studs between the top and bottom plates. Nail the treated bottom plate to each wall stud with (2) two 16d galvanized deck nails. Use (2) two 10d coated sinker nails per stud to secure the top plate.
3. Repeat to build (2) two more 96" long wall frames.
4. Set frames aside.

Step 2 Assemble (2) Two 8' Frames w/ Window Openings

1. Cut, if necessary, (2) two 2x4-8' (one will be treated) to a length of 96". Position the boards together and indicate with 'X' marks where the wall studs will be located.



2. Install (5) five pre-cut wall studs between the top and bottom plates. Nail the treated bottom plate to each wall stud with (2) two 16d galvanized deck nails. Use (2) two 10d coated sinker nails per stud to secure the top plate.



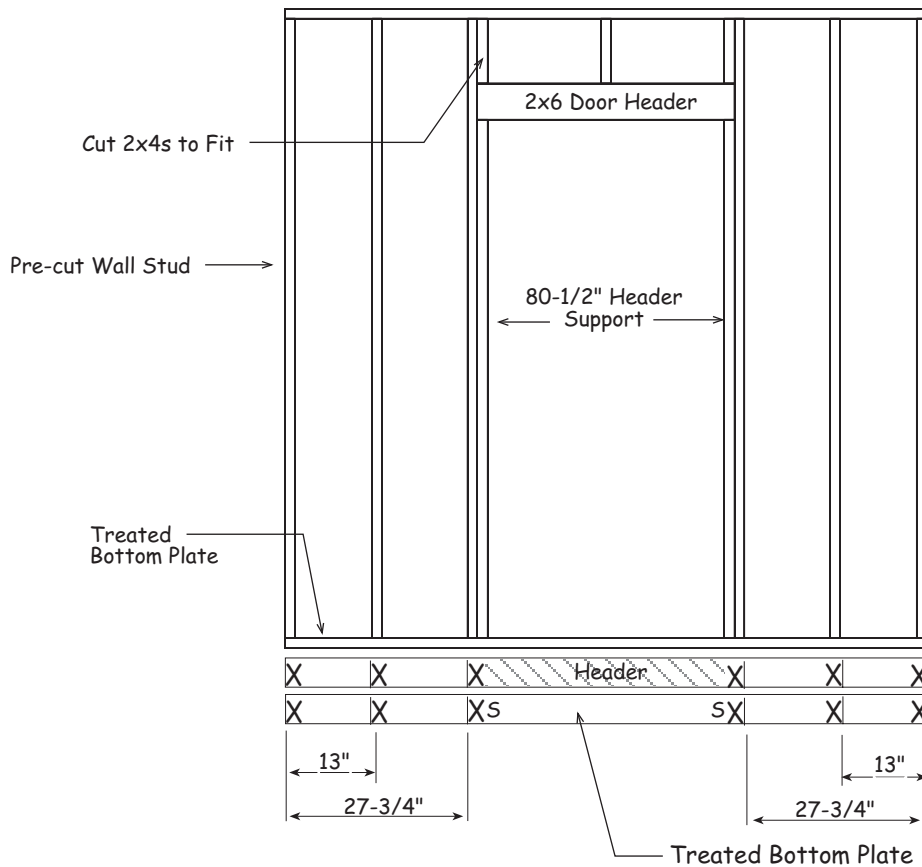
3. Cut, from a pre-cut wall stud, (2) two 2x4 to a length of 24-1/2". Save the cutoffs.
4. Position the 24-1/2" boards at the heights indicated above. Nail these 2x4s between the wall studs to create a window opening. Use 10d sinkers.
5. Repeat to build another 96" long wall frame.
6. Set frames aside.

Step 3 Assemble 8' Front Door Wall Frame



Refer to door manufacturers specifications for rough opening size. Adjust measurements accordingly.

1. Trim, *if necessary*, (2) two 2x4-8' boards (one will be treated) to a length of 96". Position the boards together and indicate with 'X' marks where the wall studs will be located. Mark an 'S' on bottom plate where the door header supports will be located. *See drawing below.*
2. Install (6) six pre-cut studs, *over the 'X' marks*, between the wall plates. Use 10d sinkers on top plate and 16d galv. nails on bottom plate.
3. Cut (2) two pre-cut wall studs to a length of 80-1/2", if necessary adjust measurement to match door manufacturers specifications, and install over 'S' marks as header supports. Nail to studs with (10) ten 10d sinkers. Save cutoffs.

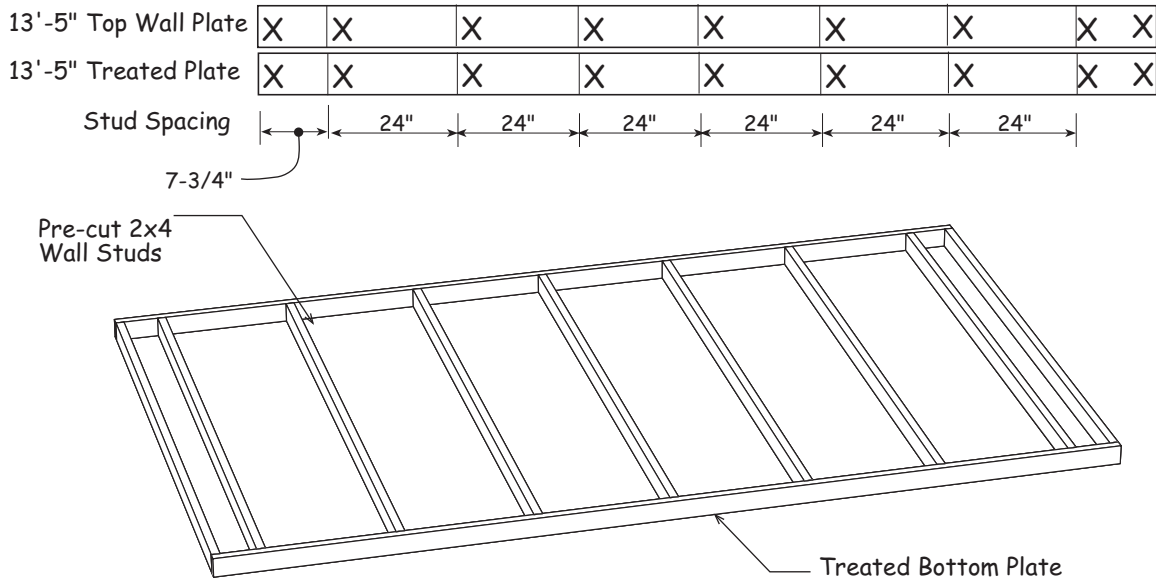


4. Install the 37-1/2" long 2x6 door header on the header supports. Nail to studs with 10d sinkers.
5. From 2x4 cutoffs cut (3) three blocks to fit between header and top 2x4 plate. Install with 10d sinkers.
6. Set frame aside.

Step 4 Assemble a 13'-5" Long End Wall Frame

 ***If 2x4-14' boards are not available 16' long 2x4 will be substituted.***

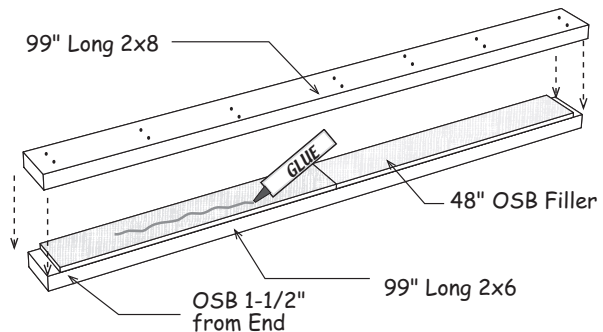
1. Cut (2) two 2x4-14' (one will be treated) to a length of 13'-5". Position the boards together and indicate with 'X' marks where the wall studs will be located.



2. Install (9) nine pre-cut wall studs between the top and bottom plates. Nail the treated bottom plate to each wall stud with (2) two 16d galvanized deck nails. Use (2) two 10d coated sinker nails per stud to secure the top plate.
3. Set frame aside.

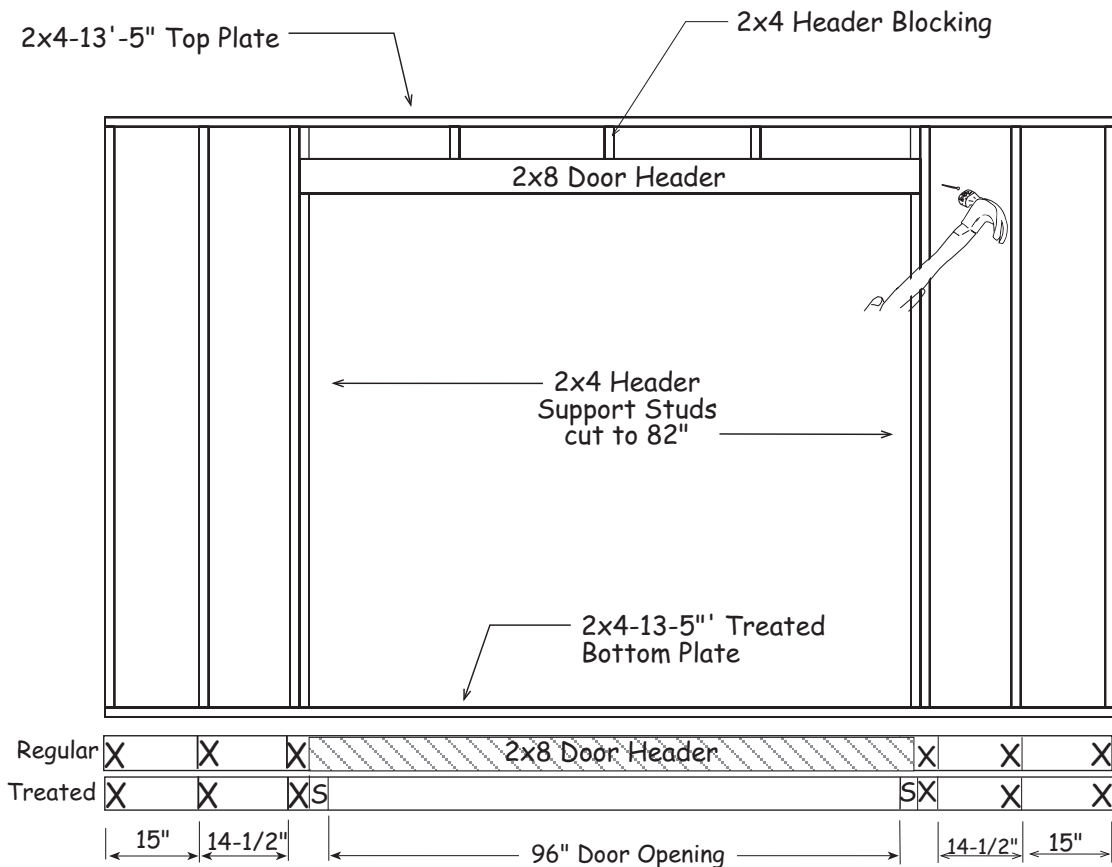
Step 5 Assemble Door Header

1. Cut (2) two 10' long 2x8 boards to a length of 99".
2. Locate (2) two 7-1/4" x 48" OSB. Install in the center of the 2x8 boards. Nail together using 10d coated sinkers. Use (12) twelve nails spaced evenly on each side. OSB should be 1-1/2" from end of boards.




Step 6 Assemble a 13'-5" Long End Wall Door Frame

1. Cut (2) two 2x4-14' (one will be treated) to a length of 13'-5". Position the boards together and indicate with 'X' marks where the wall studs will be located and an 'S' where the door header support studs will be located. *See drawing below.*
2. Assemble the front wall frame using the wall plates cut above and install (6) six pre-cut wall studs over the 'X' marks.
3. Cut (2) two pre-cut studs to a length of 82". Install over 'S' marks as header supports using (10) ten 10d sinkers. Install the 2x6 header by toe-nailing the ends to the adjacent studs with 10d sinkers.
4. From 2x4 cutoffs left over from previous steps cut (5) five blocks to fit between header and top 2x4 plate. Install with 10d sinkers.

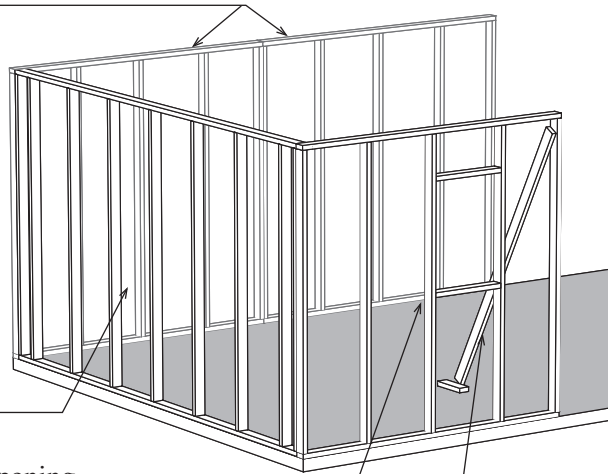


Step 7 Install Wall Frames & 2x4 Tie Plates

 The 13'-5" long wall frames are positioned between 8' side walls.

1. Erect the 13'-5" long wall frame without door opening on the end of the floor. **IMPORTANT:** make sure frames are square and plumb.
2. Install (2) two of the 8' long end wall frames on the back side of the floor. Secure frames together using (8) four 10d sinkers (stagger nails on each side of the studs).
3. Secure the frames together at the corner using (4) four 10d sinkers.

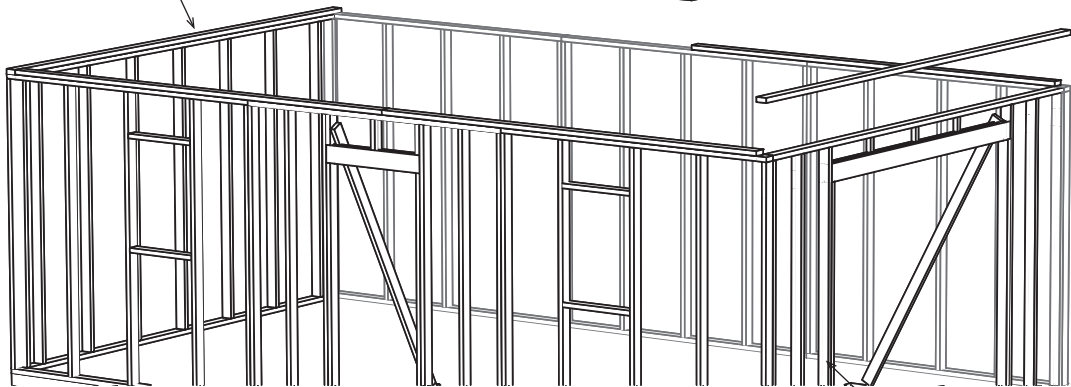
13' - 5" Wall Frame



4. Install 8' long wall frame with window opening. Brace center frames with pre-cut studs.
7. Erect all remaining frames. Nail frames to the floor using 16d galv. nails (or concrete anchor bolts, *not included*) 24" on center. *Do not nail 2x4s to floor in door openings.*
8. Cut if necessary 14' long 2x4s and install as tie plates on both end 14' walls. Use 10d sinkers space 16" apart to secure tie plates.

14' Long 2x4 Tie Plate

12' Long 2x4 Cut to Fit



13'-5" Wall Frame

9. Install a 12' long 2x4 on back wall butted against 14' long tie plate on end wall with door. Cut to fit another 2x4-12' and install. Use 10d sinkers. Repeat on front wall.

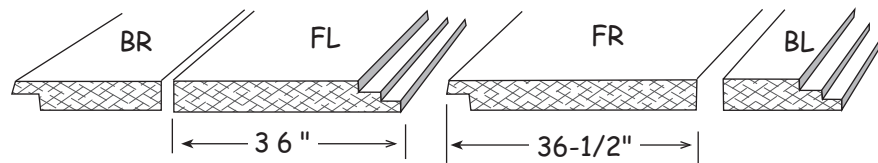
Step 8A Install Siding



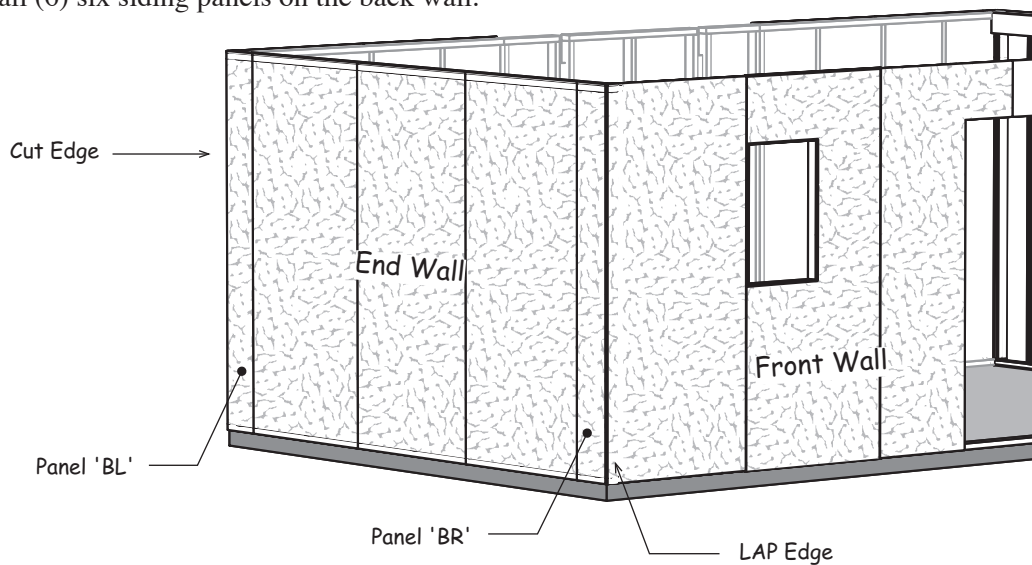
If a siding panel has a damaged edge, install this edge at a corner where it will be covered with corner trim.

If installing building on concrete slab, install siding flush with the bottom plate. For wood floor, extend siding 3/4" below bottom plate.

1. Select (2) 4x8 siding panels and cut panels to the widths shown below. Mark the panels as shown below so they can be identified later.

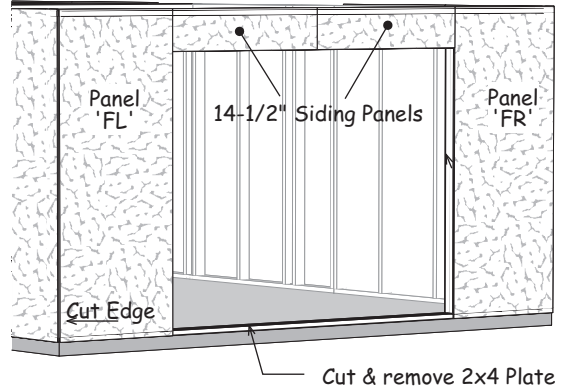


2. Install siding panel 'BL' with the 'cut' edge flush with the wall stud of the back wall. Install all siding with 6d galvanized nails spaced 8" apart.
3. Install (3) three full width siding panels.
4. Install the siding marked 'BR'.
5. Install (6) six siding panels on front wall. Start with 'LAP' edge flush with face of end wall siding. Cut and remove siding that extends over the door and window openings.
6. Install (6) six siding panels on the back wall.



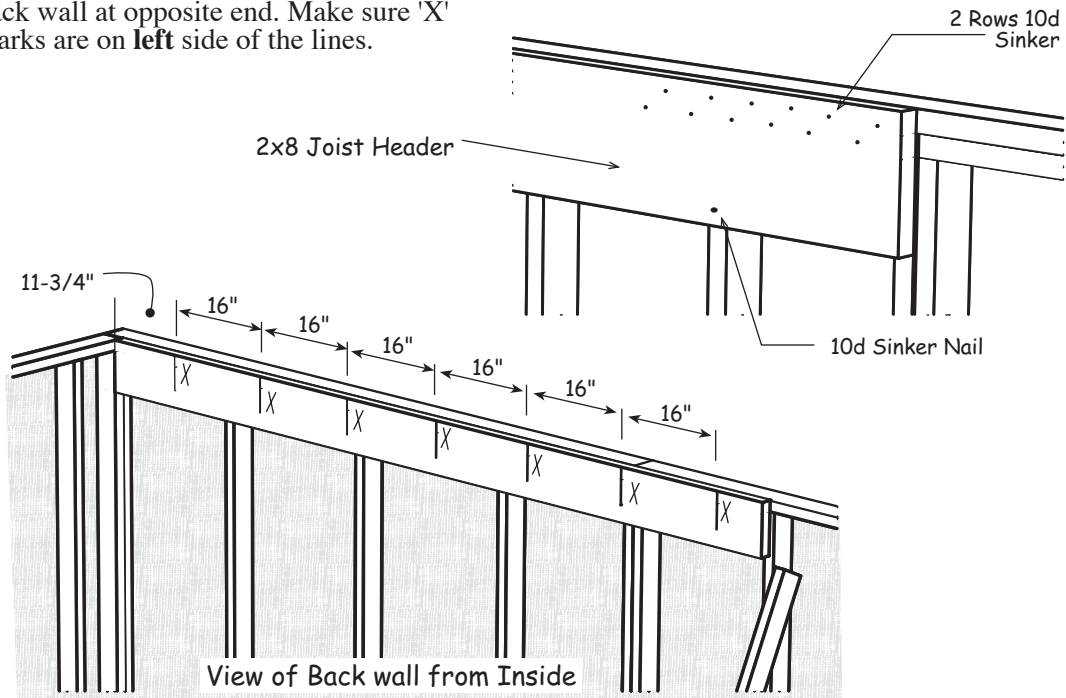
Step 8B Install Siding continued

7. Install siding panel 'FL' with the 'cut' edge flush with the siding of the front wall.
8. Locate (2) two 13" x 48" siding panels. Install siding above the door opening, flush with bottom of door header. If necessary cut top flush with other siding panels.
9. Install the remaining siding panel on the wall frame.
10. Cut and remove 2x4 plate that extends across both door openings. Save the 2x4s, it will be used in a later step.



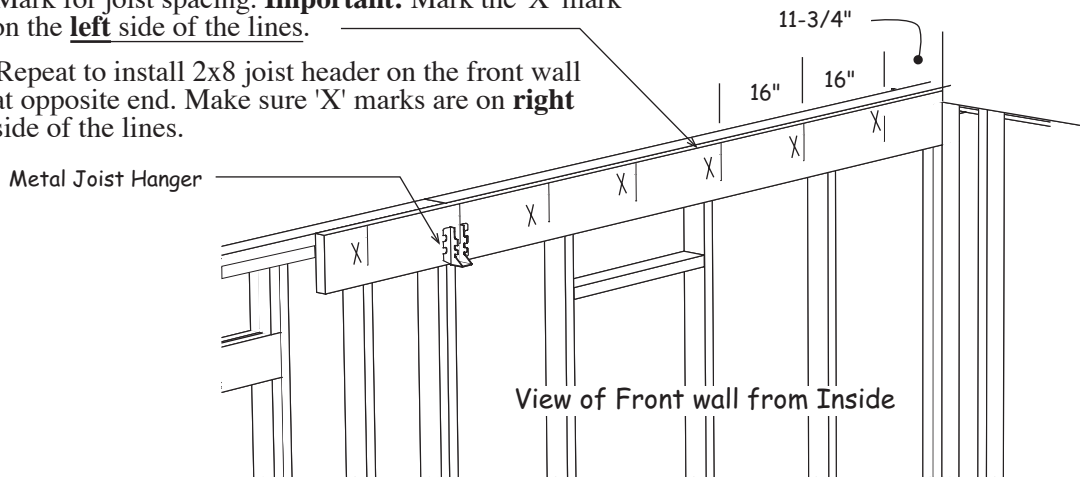
Step 9 Install 2x8 Joist Headers on Back Walls

1. Cut a 10' long 2x8 board to 115". Install this 2x8 to the 8' back wall panel, against the 13'-5" end wall without door opening. Install the 2x8 flush with the top of the 2x4 tie plate. Secure with (2) two rows of 10d sinker nails spaced 4" apart across the top 2x4 plate. Also nail the 2x8 to each wall stud with one 10d sinker. *See detail below.*
2. Mark for joist spacing. The first space will be 11-3/4" measuring from inside the end wall frame. **Important:** Mark the 'X' mark on the **right** side of the lines.
3. Repeat to install 2x8 joist header on the back wall at opposite end. Make sure 'X' marks are on **left** side of the lines.



Step 10 Install 2x8 Joist Headers on Front Wall

1. Cut a 10' long 2x8 board to 115". Install this 2x8 to the 8' front wall panel, against the 13'-5" end wall without door opening. Use 10d sinkers.
2. Mark for joist spacing. **Important:** Mark the 'X' mark on the **left** side of the lines.
3. Repeat to install 2x8 joist header on the front wall at opposite end. Make sure 'X' marks are on **right** side of the lines.

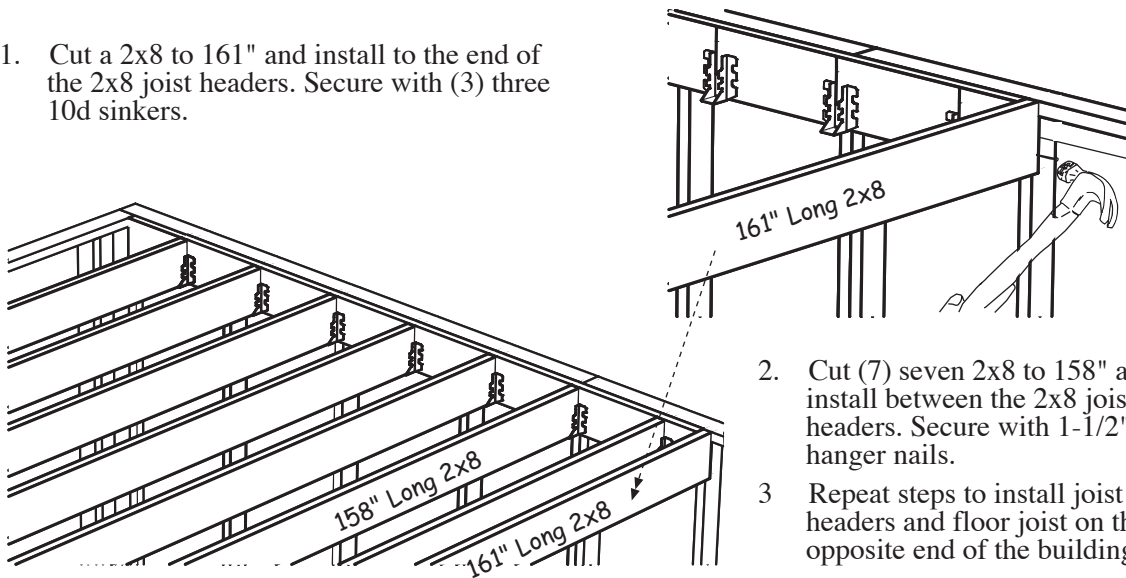


4. Install joist hangers, *on all 2x8 joist headers*, over the 'X' marks, flush with the bottom of the 2x8s. Use 1-1/2" hanger nails.

Step 11 Install 2x8 Floor Joist

 ***If 2x8-14' boards are not available 16' long 2x8 will be substituted.***

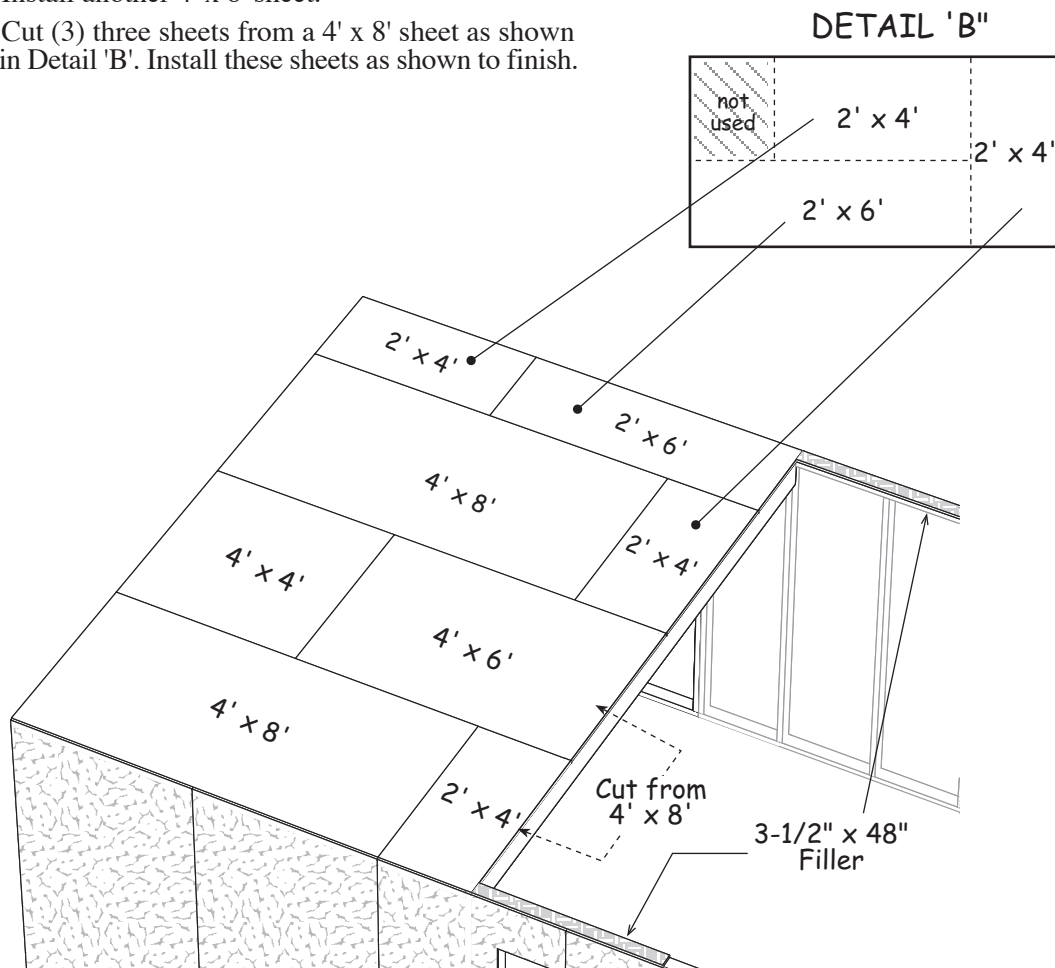
1. Cut a 2x8 to 161" and install to the end of the 2x8 joist headers. Secure with (3) three 10d sinkers.



2. Cut (7) seven 2x8 to 158" and install between the 2x8 joist headers. Secure with 1-1/2" hanger nails.
3. Repeat steps to install joist headers and floor joist on the opposite end of the building.

Step 12 Install Loft Flooring


1. Install a 5/8" x 4' x 8' sheet at the front left corner flush with the 2x4 plates on the front and end walls. Secure flooring with 8d galvanized spiral nails spaced 12" apart.
2. Cut a 4' x 8' sheet in half. Install a 4' x 4' panel where shown below. Save the cutoff for the opposite end of the building.
3. Cut a 4' x 8' sheet to 6'. Install the 4' x 6' and the 2' x 4' cutoff where shown below.
4. Install another 4' x 8' sheet.
5. Cut (3) three sheets from a 4' x 8' sheet as shown in Detail 'B'. Install these sheets as shown to finish.



6. Repeat steps to install flooring on the opposite end of the building using the 4' x 4' cutoff from step number 2 above.
7. Locate (2) two 3-1/2" x 48" OSB filler and install over 2x4s between loft floors.

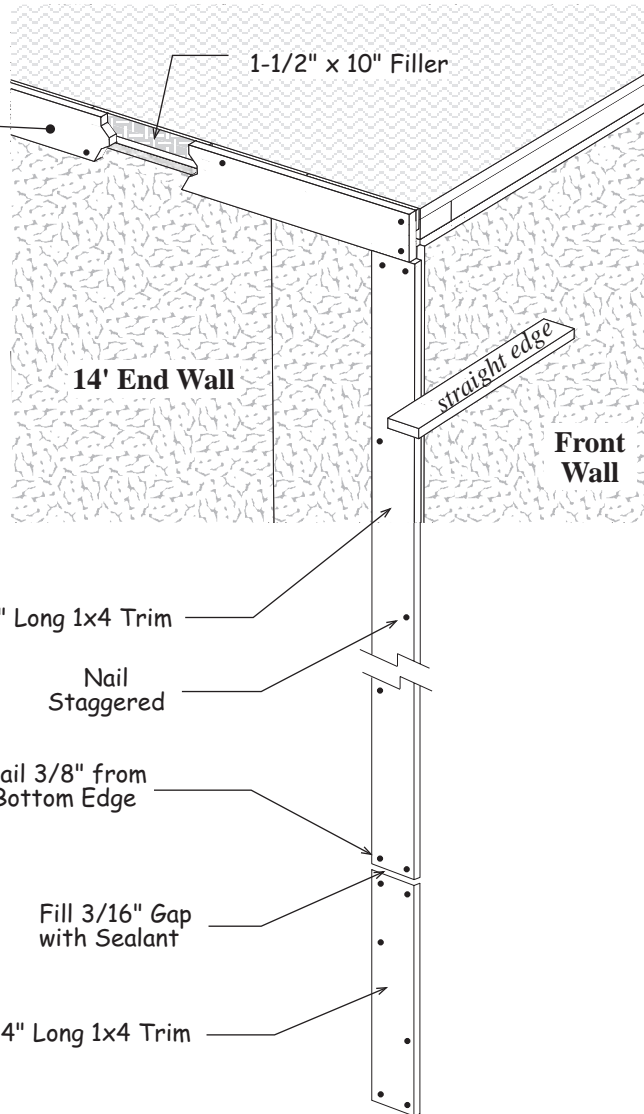
Step 13 Install Trim on End Walls


IMPORTANT: Trim Must Be Installed Before Installing Roof Gables!

 Depending on the pre-cut stud length and if the siding extends below the bottom plate, you may have a space between the top of the siding and the loft floor. If necessary tack nail 1-1/2" x 10" siding fillers behind trim. Space fillers 12" apart.

1. Install (2) two 84" long 1x4 trim boards flush with the top of the loft flooring. Nail (2) two 6d galv. nails 3/8" from ends of boards. Then nail staggered along board 12" apart. *See diagram.*

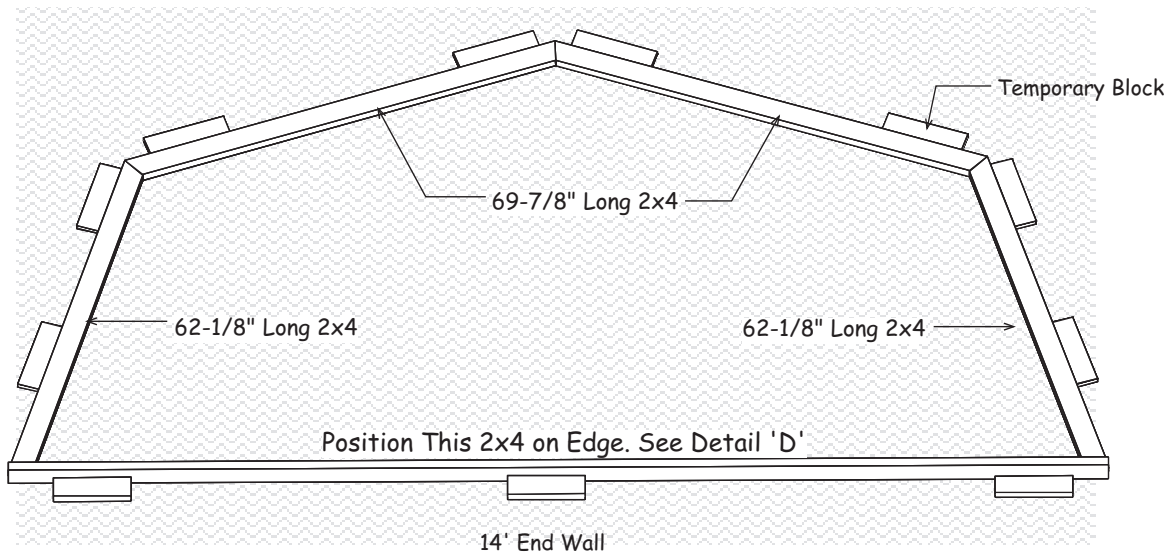
2. Locate (4) four 24" and (4) four 72" long 1x4 trim boards. Install 72" long boards under horizontal trim and flush with siding on front and back walls. Use 6d galv. nails.
3. Install 24" long boards under the 72" boards. Leave a gap of 3/16" to allow for sealant to fill gap. If necessary cut trim to be flush with bottom of siding. Fill gap with sealant.
4. Repeat on opposite end wall.



 **When installing trim in later steps space nails and seal as described in this step.**

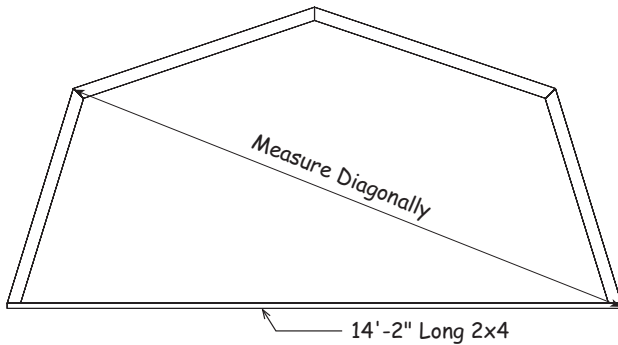
Step 14A Assemble Gable Frame

1. Cut a 16' long 2x4 to a length of 14'-2".
2. Gather (2) 62-1/8" long and (2) 69-7/8" long 2x4s. Position 62-1/8" boards as shown below. Set the 14'-2" long 2x4 on edge and nearest to 14' end wall. The gable frame when complete will be 2" wider than loft floor.
3. Check the frame for squareness. Measure from the knee to the corner of the 14'-2" long 2x4. Measure again from opposite knee. The measurements should be the same, see Detail 'C'.

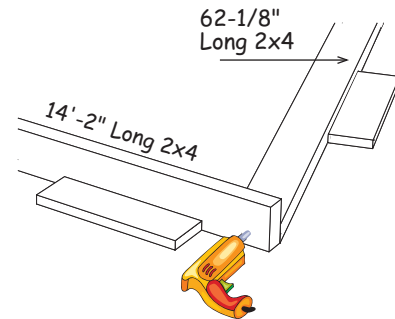


4. It is important that both gables and the trusses are built the same. Temporarily screw blocks to the loft flooring around the gable frame members, *see above*. The blocks measure 8"-12" long and may have angled ends.
5. Screw the 2x4 plate to the truss leg with (2) two 2-1/2" deck screws on each end. *See Detail 'D'*.

DETAIL 'C'

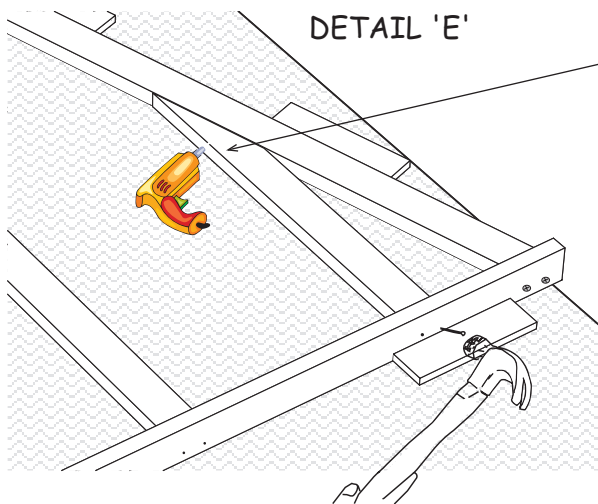
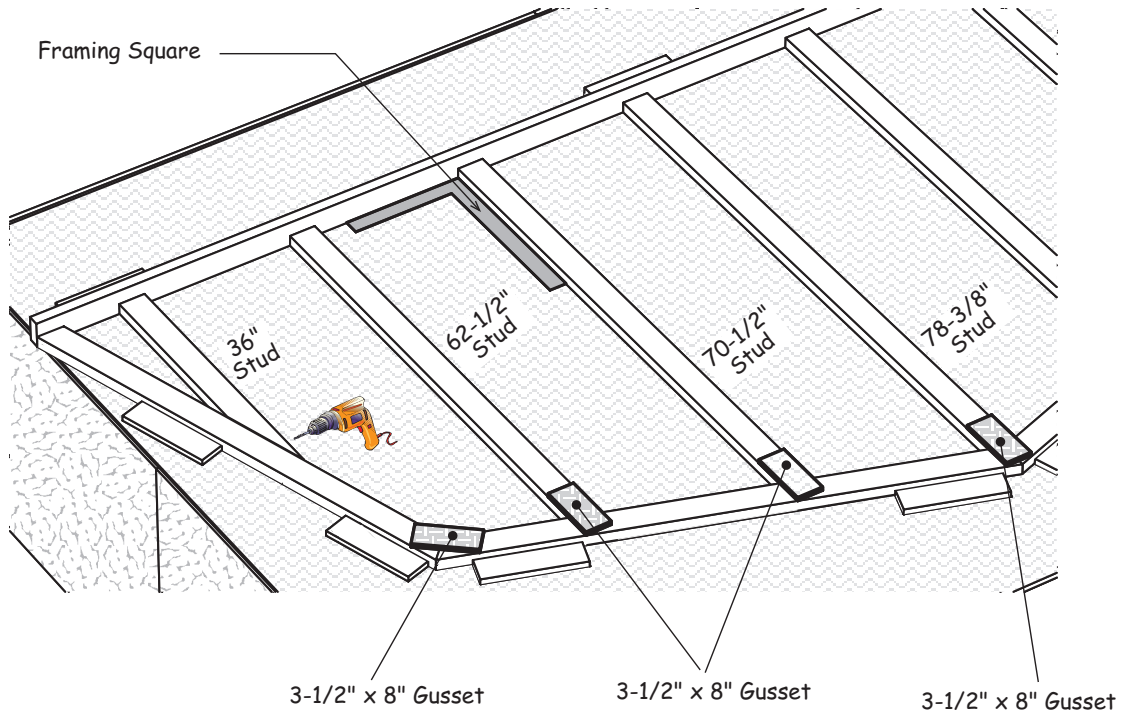


DETAIL 'D'



Step 14B Assemble Gable Frame continued

6. Install pre-cut gable studs inside the gable frame. Use a framing square to make sure the studs are plumb and fit tight to the top 2x4 top frame and bottom plate. Use 3-1/2" x 8" OSB gussets to temporarily secure the tops of the gable studs until the siding is applied. Use 6d common nails. Secure the stud to the bottom 2x4 plate using (2) two 10d sinker nails. *See Detail 'E'.*

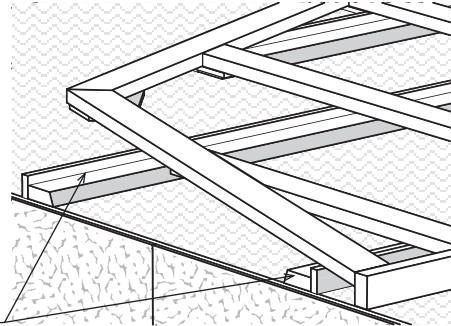


7. Attach 36" gable stud using a 2-1/2" long screw.
8. Flip frame over and move the frame to the opposite loft area. Position the gable so the bottom of the gable is facing towards the 14' end wall. This will make the gable easier to install after the siding is applied.
9. Repeat steps 1 to 7 to assemble another gable frame. Do not remove 1x4 blocks from floor. They will be needed for a later step.

Step 15 Install Siding on Gable Frame

1. Select the first gable frame assembled and position the gable frame so the wood gussets are facing towards the floor.
2. The bottom 2x4 plate prevents the gable from laying flat on the floor. Locate 65" long 2x4s that have a 1x3 board attached. These boards will be used later when installing the roof overhang. Place these 2x4s with the 2x4 resting on the floor. Resting the gable frame on these boards will make it easier to install the siding.

2x4 with 1x3 Attached



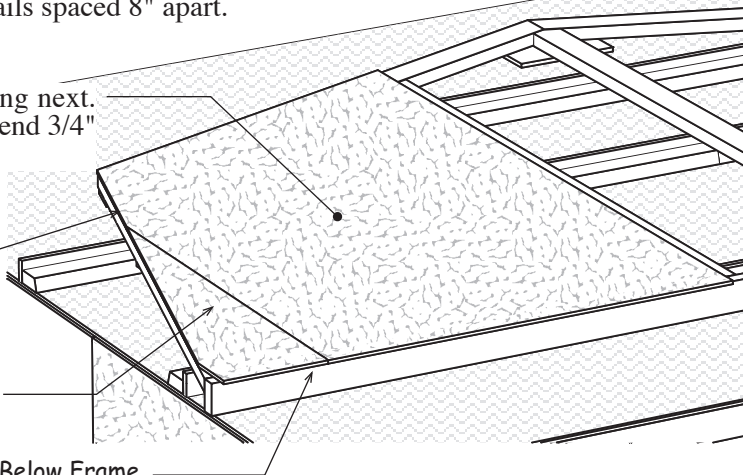
3. Install a 12" x 44-1/2" siding panel that has a 'tongue' edge. Install the siding with the cut edge flush with the side of the gable frame and extending 3/4" below the frame. Use 6d galvanized nails spaced 8" apart.

4. Install a 48" x 76-1/2" siding panel next. The bottom edge should extend 3/4" below the bottom frame

 Siding may not be flush with 2x4 frame.

12" x 44-1/2" siding panel

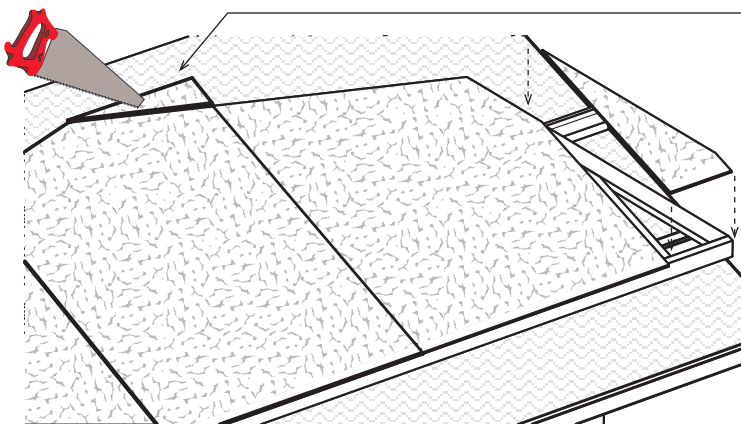
Siding Extends 3/4" Below Frame



5. Install a 4'x7' center siding panel. Cut the siding that extends past the gable frame.

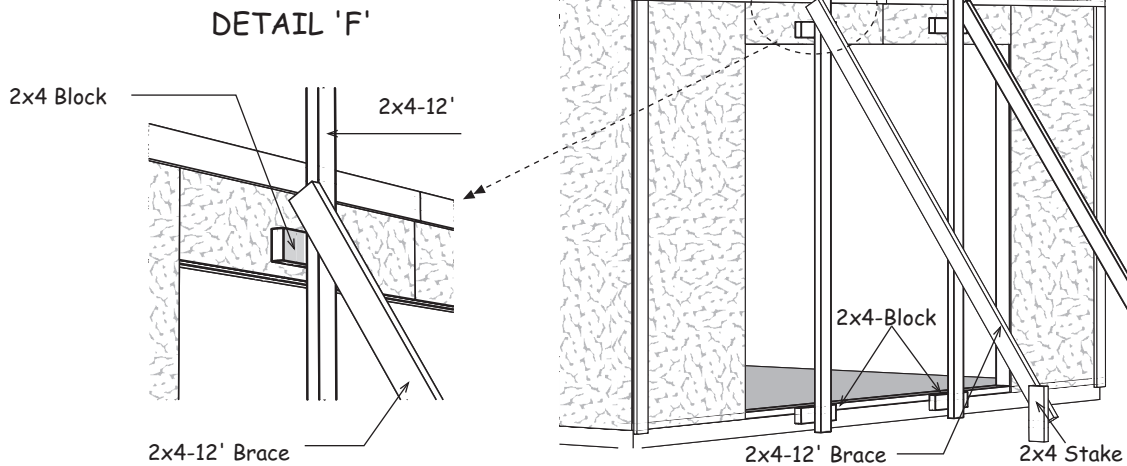
6. Install the last two siding panels.

7. Repeat steps to install siding on the other gable frame.

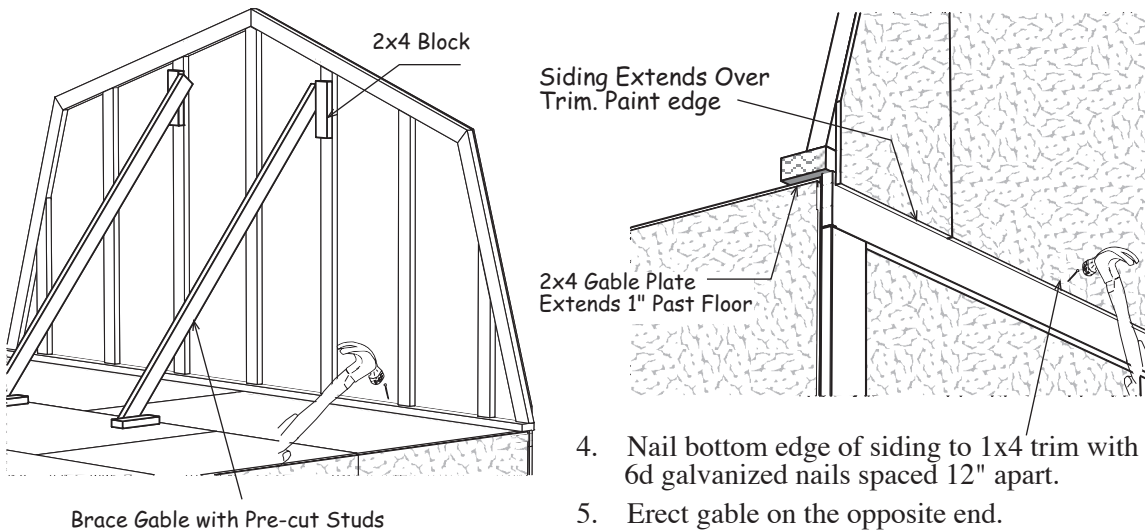


Step 16 Install Gable

1. Install (2) two 2x4-12' boards on the end wall to prevent the gable from falling off during installation. Install (2) two more 2x4-12 boards to brace the vertical 2x4 in place. Before installing the vertical 2x4s attach (2) two 2x4 blocks to the back of the 2x4s. See Detail 'F'. This will create the proper spacing to set the gable over the lower wall.



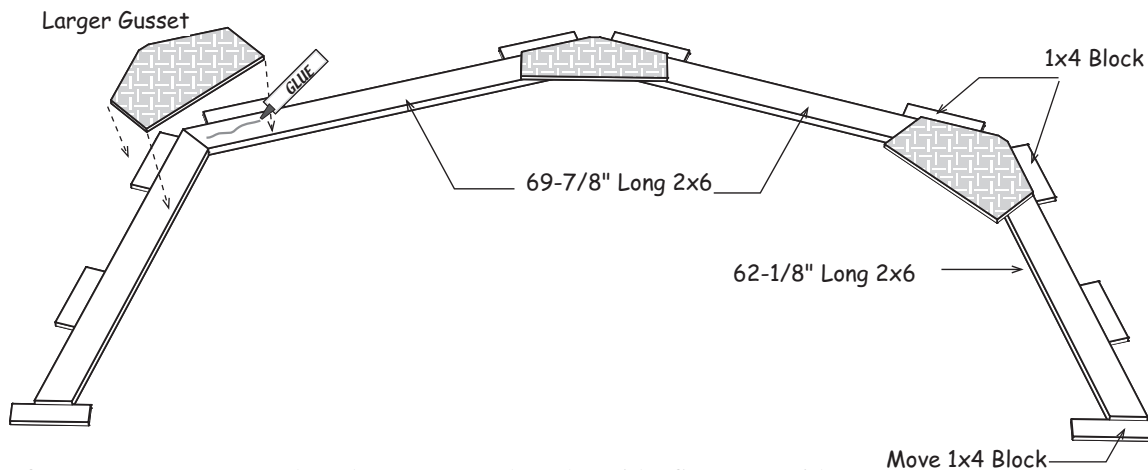
2. Erect the gable on the end wall with the gable siding extending over the trim on the end wall. Center the gable so the bottom 2x4 extends 1" past the flooring on both sides. Nail to floor, *between each gable stud*, using 10d sinkers.
3. Remove the 2x4s used to brace the lower walls and use them to brace the gable.



4. Nail bottom edge of siding to 1x4 trim with 6d galvanized nails spaced 12" apart.
5. Erect gable on the opposite end.

Step 17 Assemble 2x6 Roof Trusses

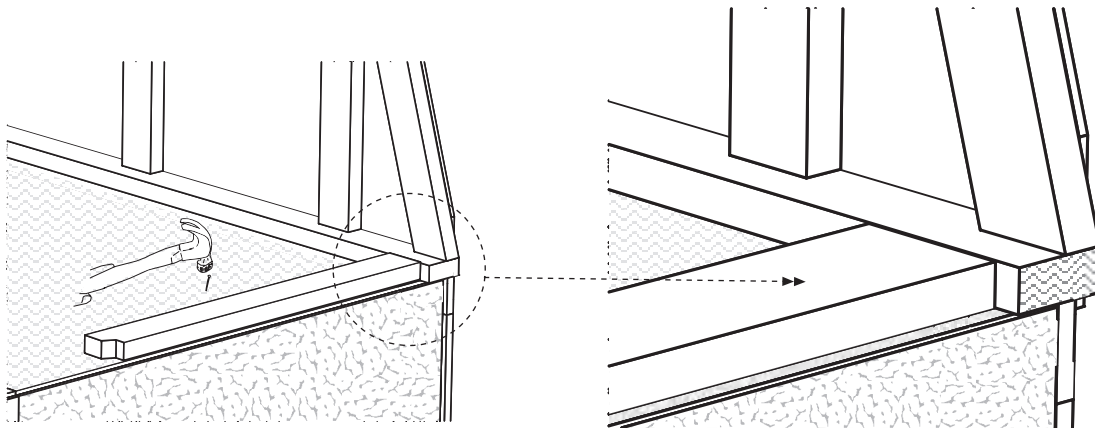
1. Lay truss parts inside the 1x4 blocks used around gable frames. Place these ends together at the ridge. Move (2) two 1x4 blocks to the bottom of the truss legs to keep these from moving.
2. Secure the 2x6 boards together using pre-cut gussets. Install the larger gussets at the knee of the trusses. Gussets with (3) three rows of 6d common nails spaced 6" apart.



3. Turn truss over and apply gussets to the other side. Set truss aside.
4. Assemble (10) ten more trusses. Remove 2x4 blocks from floor.

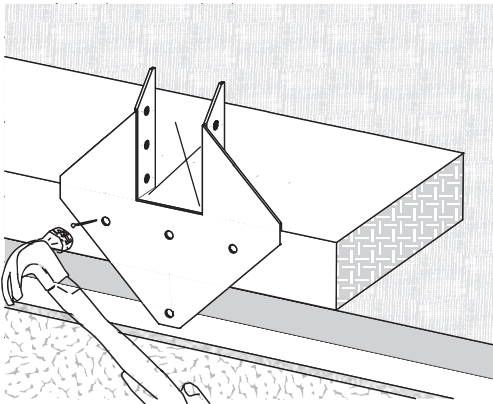
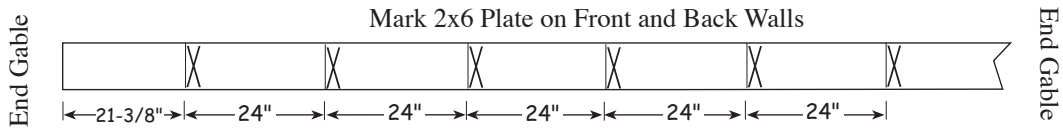
Step 18 Install 2x6 Truss Plates

1. Install a 12' long 2x6 board on back wall against back of gable frame. The 2x6 would be installed aligned with edge of the flooring. Use (2) two rows of 10d sinkers spaced 16" apart. Cut to fit and install another 12' long 2x6 board.
2. Repeat on front wall.

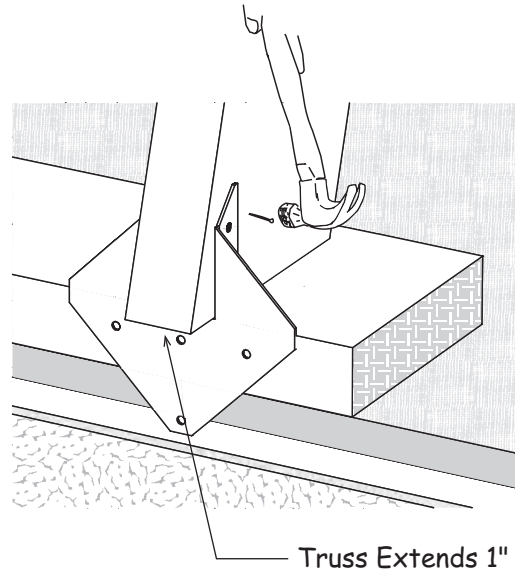


Step 19 Install Trusses

1. Starting at the end wall without the door opening indicate with 'X' marks where the trusses will be located. The last space will be wider than the first (21-3/8") space.

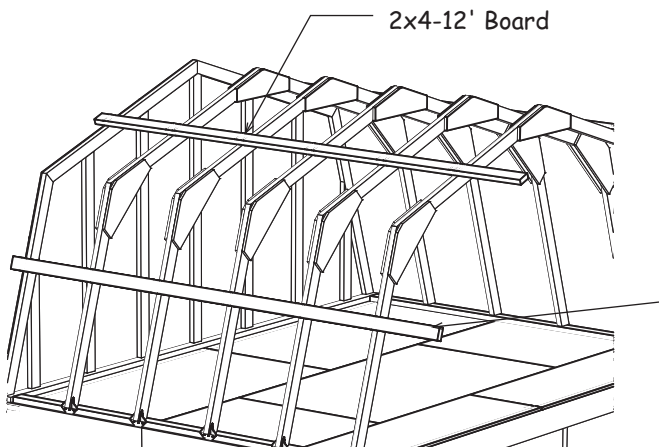


2. Install H1 truss hangers to the 2x6 truss plate. Position the hanger on the line with the 'X' mark in the opening. Install the hangers using 6d common nails.



4. Set truss legs into hanger. The truss needs to extend 1" beyond the 2x4 truss plate to be in-line with the gable frames.

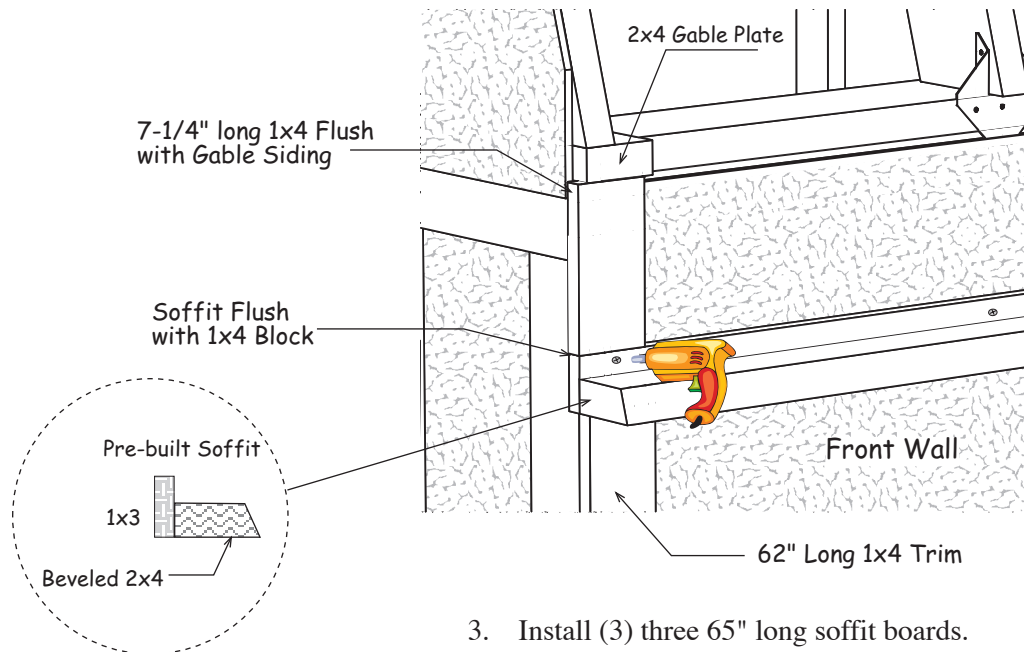
Use 1-1/2" hanger nails to secure the truss to the metal hanger



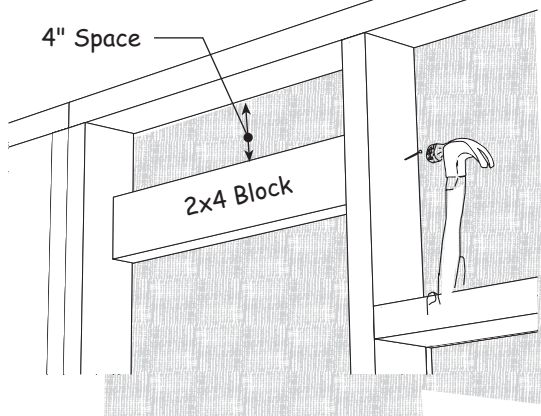
5. Remove the 2x4-12' boards used to brace the gable. As you progress setting trusses, tack these boards to keep trusses plumb. Don't remove the 2x4s until the roof sheathing is applied.
6. Use another 2x4-12' board as a straight edge to ensure the trusses are aligned with the gable frame.

Step 20 Install Front and Back Wall Overhangs

1. Locate (4) four 7-1/4" long 1x4 trim blocks. Install one of the 1x4 trim blocks at each corner of front wall. Install the 1x4 trim blocks under the 2x4 gable plate, flush with the siding on the **gable**. The block will extend 3/8" past the corner trim on the end wall. Use 6d galv. nails.
2. Install a 4' long pre-built soffit board on the front wall under the 1x4 trim block. Use one of the 7-1/4" long 1x4 block as a gauge to install the soffit board level across the front wall. Install the soffit board to the wall studs using 2-1/2" deck screws. Drill holes in the 1x3 to prevent the 1x3 from splitting.



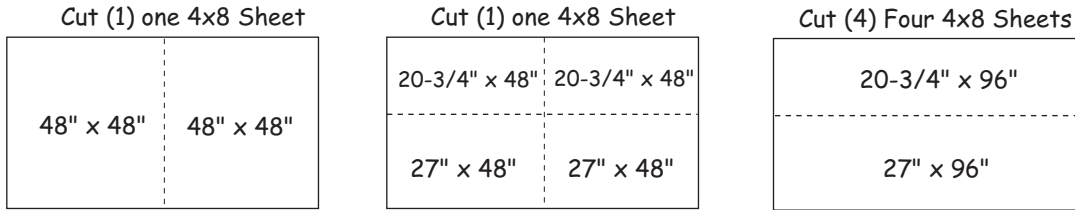
DETAIL 'G'



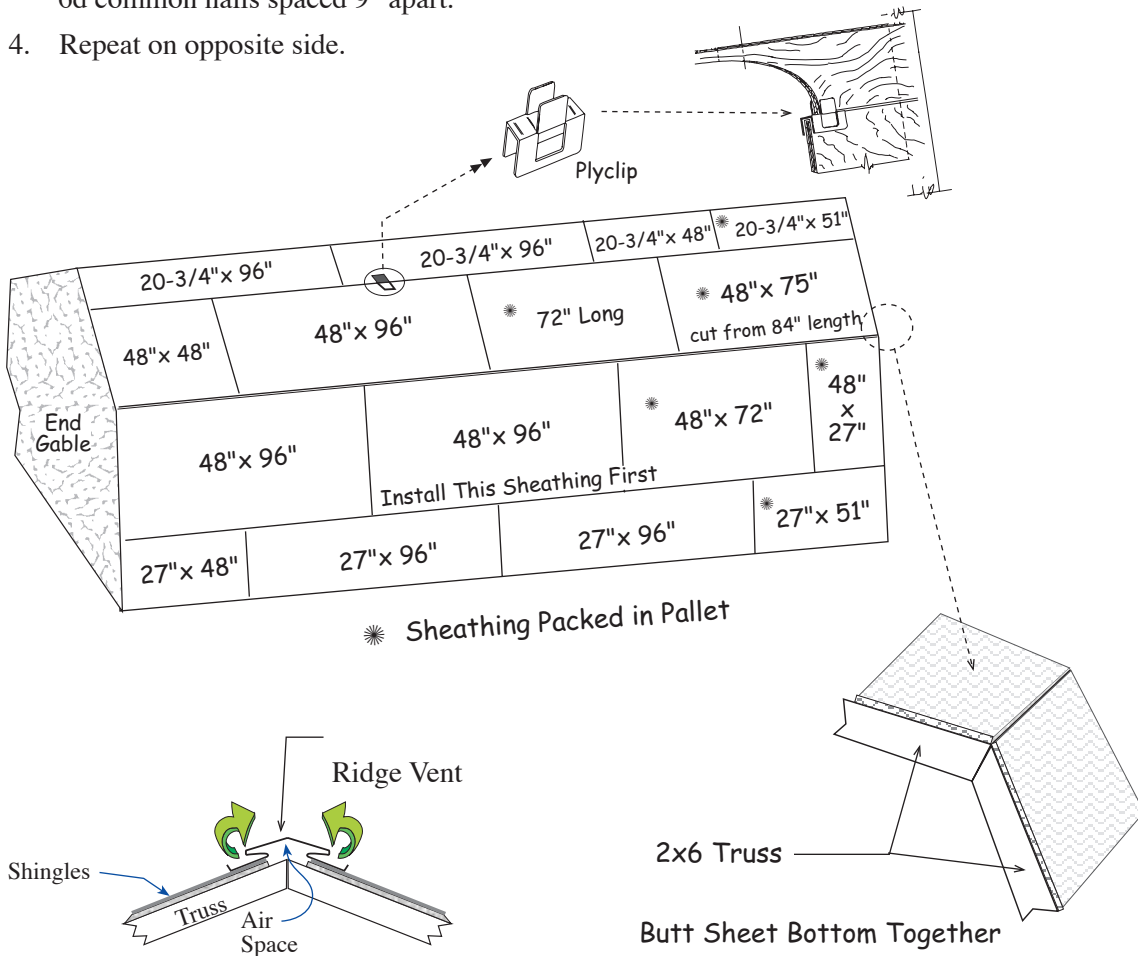
3. Install (3) three 65" long soffit boards.
If necessary, cut and install a 2x4 between the wall studs where the soffit boards butt together. Install the 2x4 block 4" below the top wall plate. *See detail 'G'*
4. Cut to fit a 4' long soffit board.
5. Repeat steps on back wall.
6. Locate (4) four 24" and (4) 62" long 1x4 boards. Install 62" long boards under soffit flush with face of 1x4 trim on end walls.
7. Install 24" long boards under the 62" boards. If necessary cut flush with bottom of siding.
8. Repeat on back wall.

Step 21 Install Roof Sheathing

- 1 Cut (6) six sheets of 7/16" OSB into the quantity and sizes shown below.

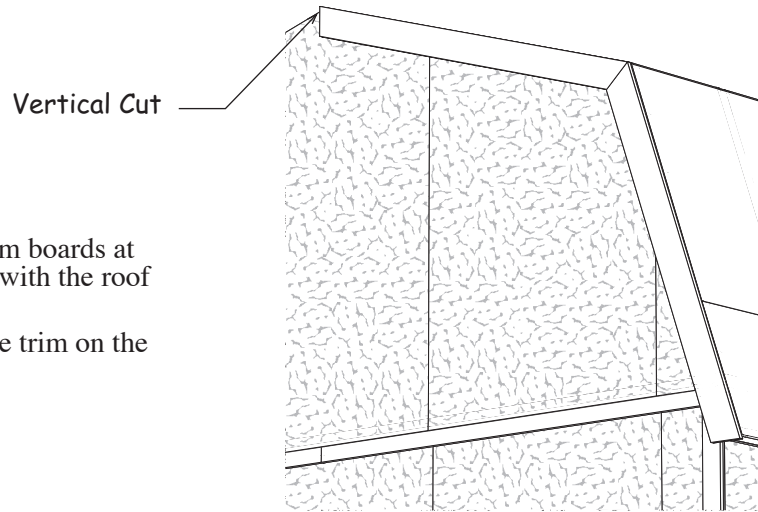


2. Locate (2) two 48"x84" OSB sheets and cut to a length of 75".
3. Make certain the trusses and the gables are plumb. Starting from front left end install 7/16" OSB sheathing per layout below. OSB should be flush with gable siding. Install a plyclip between each truss on the top row of sheathing. The top row of roof sheathing will be 1" below the peak of the truss to allow air circulation if ridge vent is installed. Install sheathing using 6d common nails spaced 9" apart.
4. Repeat on opposite side.



Step 22 Install Gable Trim

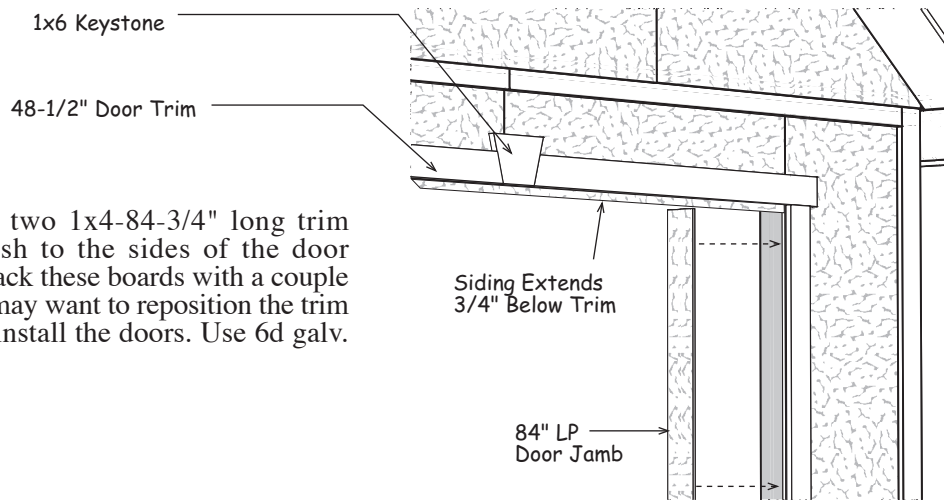
1. Install 70-1/4" long 1x6 trim boards at the top of the gable. Install the trim with the vertical cut located at the peak of the gable. Install 1x6 flush with the top of the roof sheathing. Use 6d galv. nails spaced 12" apart.



2. Install 75-1/4" long 1x6 trim boards at the side of the gable, flush with the roof sheathing.
3. Repeat steps to install gable trim on the opposite gable.

Step 23 Install Door Trim

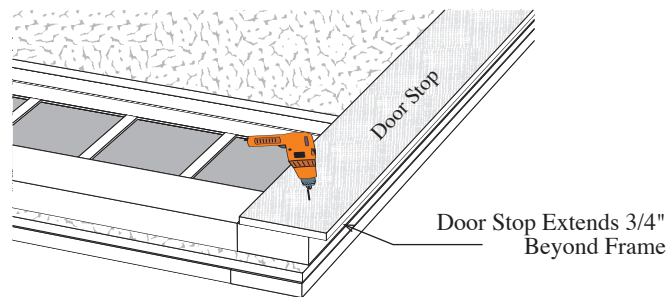
1. Install 3-7/8" x 84" primed LP door jamb material to the sides of the door opening. Install door jamb flush with the siding. Use 6d galv. nails.
2. Install (2) two 48-3/4" long 1x4 trim boards and a 1x6 keystone across the top of the door opening. Install the trim boards centered across the opening and 3/4" above the siding. The exposed siding will serve as a door stop when the doors are closed. Use 6d galv. nails spaced 12" apart.



3. Install (2) two 1x4-84-3/4" long trim boards flush to the sides of the door opening. Tack these boards with a couple nails, you may want to reposition the trim when you install the doors. Use 6d galv. nails.

Step 24 Install Door Stop on Left Door

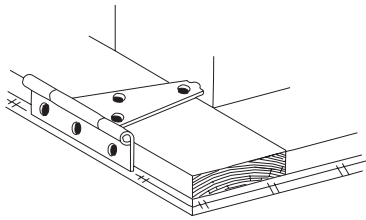
1. Select the door without the pre-drilled hole on long edge. Lay door face down.
2. Install a 4-1/2" x 83" long siding panel as a door stop on right side of door. The door stop should extend 3/4" beyond the frame of the door and flush with top of door. Use 1-1/2" exterior screws spaced 12" apart.



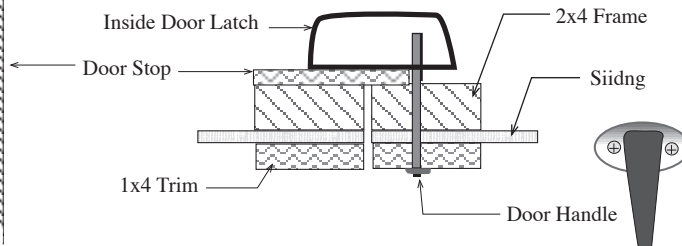
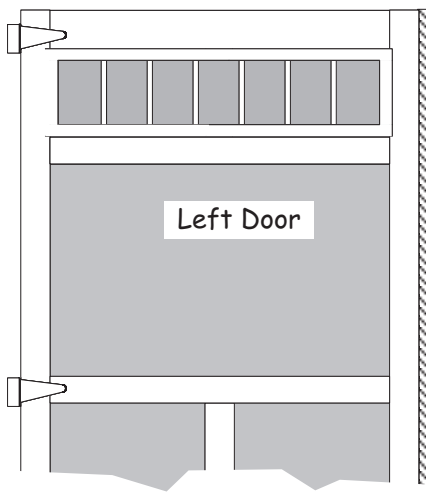
Step 25 Install Doors



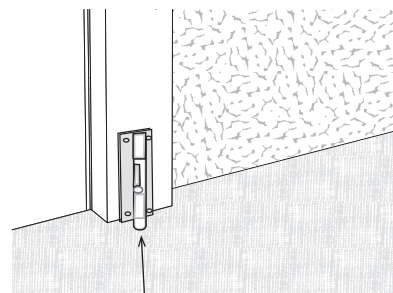
If your door opening is out of square, the space around the doors will not be even. You can remove and re-position the side trim to make allowances for this. The side trim does not have to be flush with the frame of the door opening. You can move the trim in or out to make the door spacing equal.



1. Install (3) three 6" hinges to sides of the doors. To position the hinge properly, hold the rectangular plate against the frame. Use 2" black screws.
2. Before fastening the hinges to the trim, temporarily prop the doors in the opening. Leave a space at the top and between the doors and the side trim to allow room for the doors to expand due to humidity.
3. Determine position of hinges and install to side trim with 2" screws.
4. Install the window using the short white screws.
5. Install door handle using 2" black screws into the pre-drilled hole on right side door. When the handle is turned the inside latch will hold doors closed. Tighten set screw to finish.



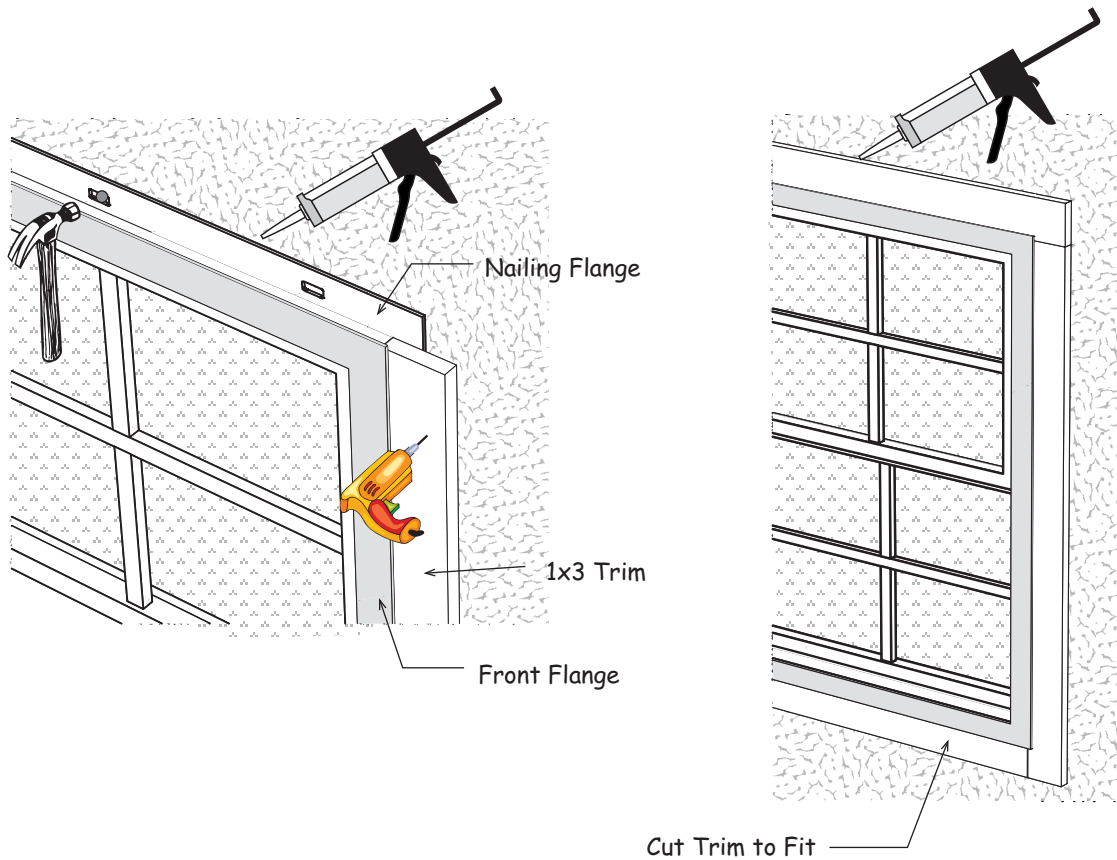
6. Install a barrel bolt using 3/4" pan head screws on the lower back of the door to secure this door in place when closed. You will need to drill a hole for the round shaft to drop into.
7. Install another barrel bolt at the top of the door.



Barrel Bolt on the back of left door

Step 26 Install Windows

1. Apply caulking around the window opening before installing the windows.
2. Hold the window in the opening using a few nails with a flat head so the trim can be inserted in the slot. Nails used to install shingles work well.
3. Insert 38-1/2" long 1x3 trim boards along each side of the window, flush with the top frame. *Note; the front flange projects above the window frame creating a slot for the trim.* The top trim will rest on the side trim. The 1x3 side trim will extend below the window to receive the bottom trim.
4. Secure the trim boards using (6) six stainless trim screws.
5. Install a 29-1/2" long 1x3 trim across the top. Apply caulking along the top.
6. Cut a 29-1/2" long 1x3 trim board and install under the window.
7. Install shutters with screws provided.



Install Roofing — Not Supplied in Kit

1. Install metal roof 'drip' edging along the perimeter of the roof.
2. Install felt paper and shingles according to the instructions on the wrapper

Roof Covering (Not Included)		
18	bdl.	Roof Shingles
11	pcs.	Roof 'drip' Edge-10'
500	sq. ft.	Felt Paper

Packing Lists

Qty.	<i>Material Shipped in 48" Door Kit</i>	
2	ea.	48" x 84" Pre-built Doors
2	ea.	12" x 42" Transom Windows
2	ea.	1x4" x 84" Door Trim
2	ea.	1x4" x 48-3/4" Door Trim
1	ea.	1x6" x 10" Keystone
2	ea.	3-7/8" x 84" LP 3/8" Primed Door Jamb
6	ea.	6" Door Hinges
1	ea.	Door Handle & Latch
1	ea.	6" Barrel Bolt
52	ea.	2" Hinge Screws
16	ea.	3/4" Pan Head Screws
10	ea.	1-1/2" Exterior Screws
32	ea.	White Window Screws

Qty.	Material from Local Supplier		
54	2x4	-	Pre-cut Wall Studs
6	2x4	8'	Wall plates (treated)
2	2x4	14'	Wall plates (treated)
6	2x4	8'	Framing Lumber
8	2x4	12'	Framing Lumber
4	2x4	14'	Framing Lumber
2	2x4	16'	Framing Lumber
4	2x6	12'	Truss Plates
6	2x8	10'	Floor Joist
16	2x8	14'	Floor Joist
9	4x8	5/8"	Loft Flooring
17	4x8	3/8"	LP Primed Siding
12	4x8	7/16"	OSB Sheathing

Qty.	<i>Material in 4' Extension Kit</i>	
4	ea.	2x6 x 69-7/8" Truss Top Cord
4	ea.	2x6 x 62-1/8" Truss Leg
2	ea.	2x4 x 48" Pre-built Soffit
4	ea.	9" x 24" Ridge Gusset
8	ea.	14-1/2" x 24" Knee Gusset
4	ea.	H-1 Metal Truss Hangers
6	ea.	2x8 Metal Joist Hangers

Qty.	Material Shipped on Pallet		
14	Truss - Top Cords	2x6	x 69-7/8"
14	Truss Legs	2x6	x 62-1/8"
1	Pre-built Door Header	2x6	x 37-1/2"
6	Pre-built Soffit Overhangs	2x4	x 65"
4	Gable Top Wall Plates	2x4	x 69-7/8"
4	Gable Side Wall Plates	2x4	x 62-1/8"
2	Gable Wall Studs	2x4	x 78-3/8"
4	Gable Wall Studs	2x4	x 70-1/2"
4	Gable Wall Studs	2x4	x 62-1/2"
4	Gable Wall Studs	2x4	x 36"
4	Gable Trim	1x6	x 70-1/4"
4	Gable Trim	1x6	x 75-1/4"
4	Trim Under Gable Siding	1x4	x 84"
4	Corner Trim	1x4	x 72"
4	Corner Trim	1x4	x 62"
8	Corner Trim	1x4	x 24"
4	Window Trim	1x3	x 38-1/2"
4	Window Trim	1x3	x 29-1/2"
2	3/8" LP Gable Siding	48"	x 84"
4	3/8" LP Gable Siding	48"	x 76"
4	3/8" LP Gable Siding	12"	x 44-1/2"
2	3/8" LP Wall Siding	48"	x 13"
2	7/16" OSB Sheathing	48"	x 84"
4	7/16" OSB Sheathing	48"	x 72"
2	7/16" OSB Sheathing	48"	x 27"
2	7/16" OSB Sheathing	27"	x 51"
2	7/16" OSB Sheathing	20-3/4"	x 51"
2	7/16" OSB Header Fillers	5-1/2"	x 48"
14	3/4" Ridge Gusset	9"	x 24"
28	3/4" Knee Gusset	14-1/2"	x 24"
2	5/8" OSB Floor Fillers	7-1/4"	x 48"
2	Single Hung Window	24"	x 36"

Qty.	Hardware Breakdown		
5	lbs.	16d	Galvanized Spiral Nails
10	lbs.	10d	Coated Sinkers
10	lbs.	6d	Galvanized Nails
5	lbs.	8d	Galvanized Spiral Nails
13	lbs.	6d	Common Nails
5	lb.	1-1/2"	Hanger Nails
50	1-5/8"		Stainless Screws
50	2-1/2"		Wood Screws
14	2x6		H1 Truss Hangers
18	2x8		Joist Hangers
28	7/16"		Plyclips for roof sheathing
1			Tubes Caulking
			<i>Wood blocks packed with hardware</i>
4	1x4	7-1/4"	Trim Blocks
12	1x4	8" to 12"	Long Truss Jig Blocks
14	7/16"	3-1/2" x 8"	OSB Gussets
16	3/8"	10"	LP Siding Fillers