



Best Barns USA

Assembly Book

revised November 2, 2018



Regency Deluxe

8' x 12'

Manufactured by Reynolds Building Systems, Inc.

205 Arlington Drive

Greenville, PA 16125

800-245-1577

This manual is copyrighted. Under the copyright laws, this manual may not be copied, in whole or in part, without consent from Reynolds Building Systems, Inc. © Copyright 2016

IMPORTANT INFORMATION ABOUT YOUR SHED KIT

Thank you for your purchase. I want you to be completely satisfied with your building. The 2x4s we use in our kit are the best grade available, importing most from Europe. If you are dissatisfied with any lumber call and we will replace it.

Read the instructions before starting the assembly of the building. If you have any questions about assembling the kit, call 800-245-1577. Business hours (8:00-5:00 ET) Monday thru Friday. After business hours call 724-866-HELP (4357) or email to help@barnkits.com.

The material that is included in our kit is listed on the back page. The optional floor package, if purchased, will be supplied by a local lumber supplier.

You will need to purchase the finish roof covering. Refer to the **Step 22** for information on this material. The siding and trim is primed. You will need to apply a finish coat using latex acrylic paint..

Some of the framing lumber was used in the shipping pallet. Unpack the material from the pallets, then unscrew the top 2x4s. The bit for the screws is packed in the hardware bag.. The 2x4s will be used for wall bracing.

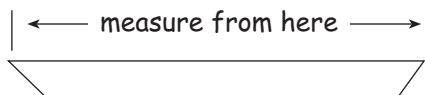
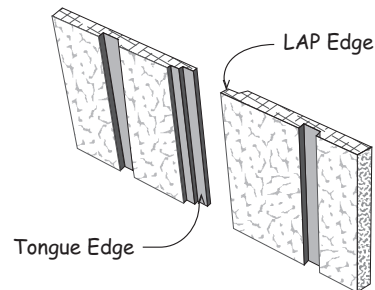
Most buildings are installed on a wood floor and the siding was designed to extend over the wood flooring. If the foundation is a concrete floor cut the siding flush with the bottom of the wall plate to prevent the concrete from contacting the siding.

Stacking the boards, according to size, will make them easier to find when needed. **Do Not** discard any material until your building is complete.

Before building, obtain a building permit and check all pertinent building code regulations.

The siding is made in 4x8 sheets with grooves cut into the face, the long edge is beveled so that the siding overlays where they butt.

To identify which edge we want you to use, we will refer to the edge as either the 'LAP' Edge or the Tongue Edge. Nail siding with 8d galv. nails, spaced 12" apart.



When measurements are given for a board length, it is from the longest side.

Tool List

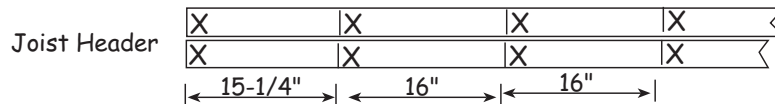
- | | |
|--|--|
| <input type="checkbox"/> Hammer & Phillips Screwdriver | <input type="checkbox"/> Power Drill/Screwdriver |
| <input type="checkbox"/> Framing Square & Level | <input type="checkbox"/> Measuring Tape |
| <input type="checkbox"/> Hand Saw | <input type="checkbox"/> 2-6' Step Ladders |

Always wear safety glasses when cutting or nailing!

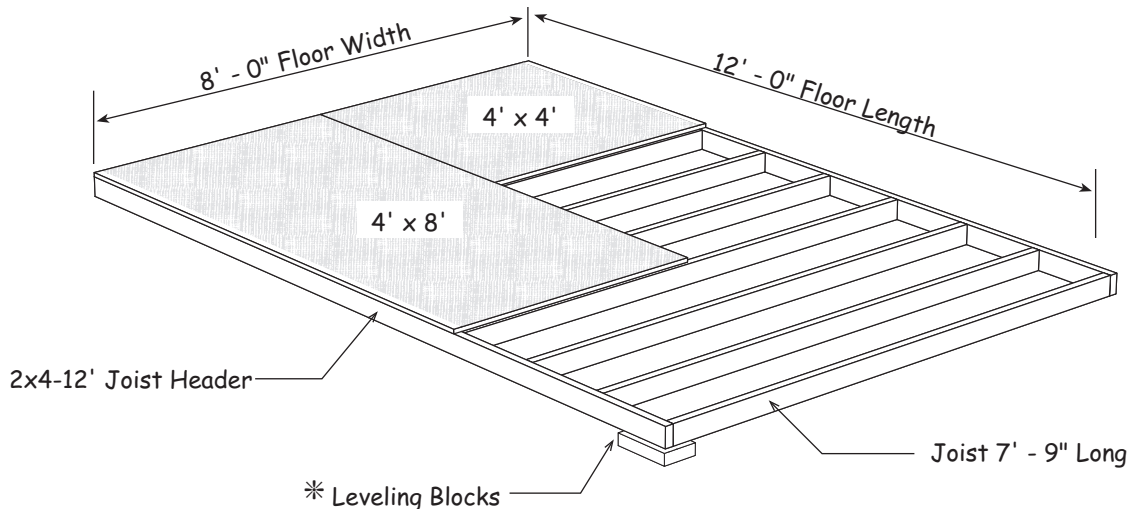
Construction Details for Optional Floor System

Check local building codes in your area, the construction may have to change. For a concrete slab, install sill sealer as a moisture barrier between the concrete and the wall plates. Foam sill sealer can be purchased at home centers in rolls 3-1/2" or wider.

1. Treated lumber is not cut to exact length. Cut (2) two 2x4-12' boards to 12'-0".
Layout for 16" on center joist spacing. 'X' marks where floor joist will be placed.



2. Cut 2x4-8' floor joists to a length of 7'-9". *Treated lumber may be thicker than 1-1/2". Take this into account when cutting the length of floor joists. Shorten joist measurements if necessary to obtain 8'-0" building width.*
3. Install the floor joists, *over the 'X' marks*, between the 12' long joist headers. Use 16d galv. deck nails.




* *If necessary use bricks, patio stones or similar material to level or provide additional support to the floor. If your ground has low areas consider adding gravel and or 4x4 treated timbers to rest the floor on. If you use 4x4 timbers you will need (3) three pieces 12' long.*

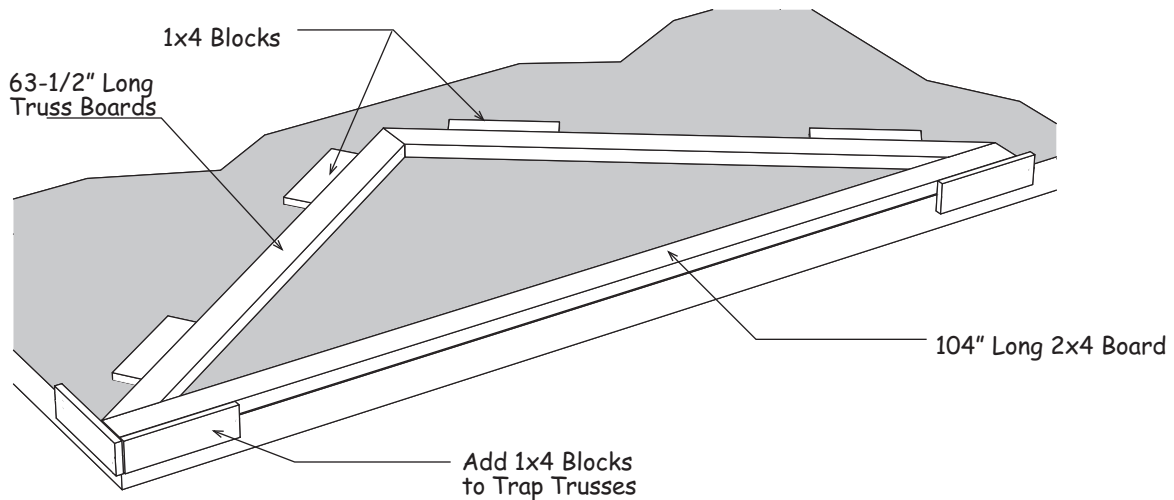
It is important that the floor be level and square. Before nailing the flooring, measure the floor diagonally (corner to corner). Then measure the opposite corners. These measurements will be the same if the floor is square (173").

Material Description	8' x 12' Floor	
2x4 Treated Headers	2 pcs.	12'
2x4 Treated Floor Joist	10 pcs.	8'
Flooring 5/8" 4x8	3 pcs.	4x8
8d Screw Floor Nails	1 lb.	8d
16d Galv. Box Nails	1 lb.	16d

Step 1 Assemble Roof Trusses

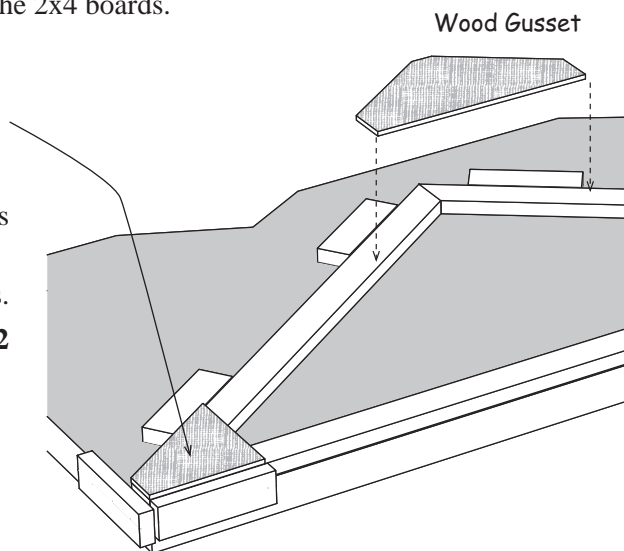
 **Building Tip:** To aid in the assembly of the trusses, temporarily tack 1x4 blocks to the floor. There are short 1x4s supplied in the kit for this purpose. This will trap the truss parts and insure that all the trusses will be assembled the same.

1. Position a 104" long 2x4 and (2) two 63-1/2" long 2x4s on the floor.
2. Affix 2x4 blocks around the truss members to hold them in place.



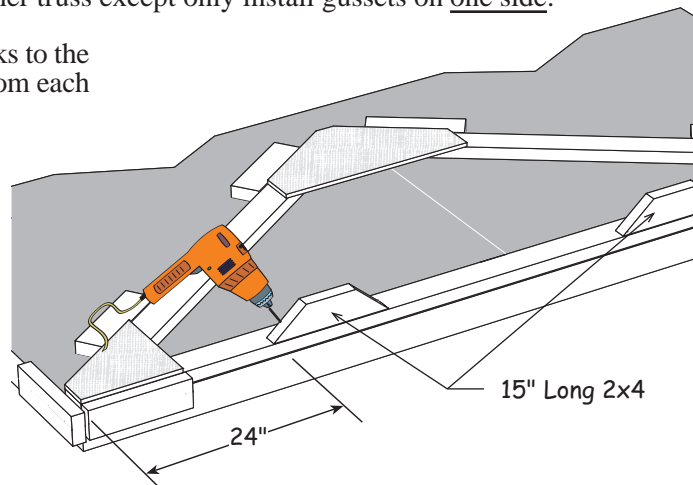
3. Secure the tops together with a wood gusset. Nail the gusset to the 2x4s with 6d common nails. Use 14 nails per gusset. Angle nail slightly so not to protrude through the 2x4 boards.
4. Install 12"x12" wood gussets to the ends of the trusses, flush with the end of the bottom 2x4. Use 8 nails per gusset.
5. Turn this truss over and apply wood gussets to the opposite side.
6. Repeat to assemble (4) four more trusses.

Do Not remove blocks from floor until **Step 2** is completed.



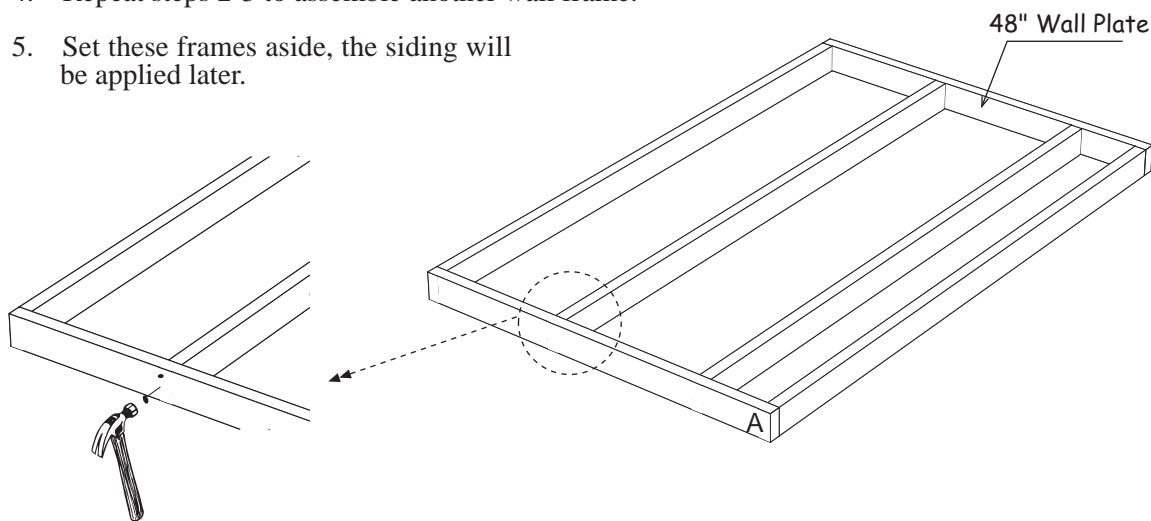
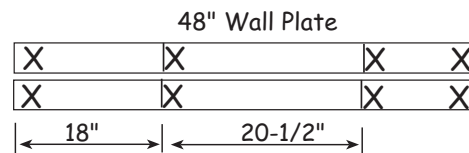
Step 2 Assemble Roof Gables

1. Repeat **Step 1** to assemble another truss except only install gussets on one side.
2. Install (2) two 15" long 2x4 blocks to the bottom 2x4. Install blocks 24" from each end. Use 2-1/2" long screws.
3. Repeat steps to assemble another roof gable.
4. Remove temporary blocks.



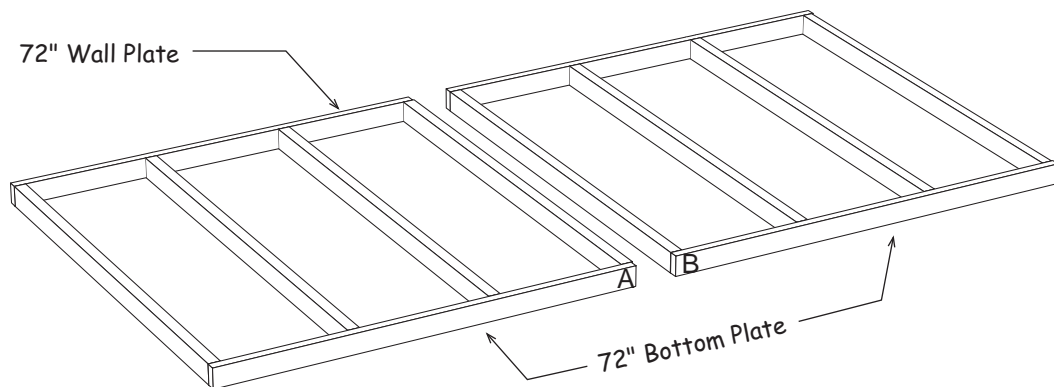
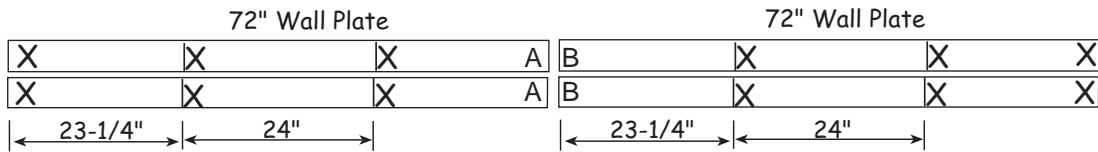
Step 3 Assemble (2) Two Front Wall Frames

1. Gather (4) four 2x4-72" boards and cut each to a length of 48".
2. Position (2) two 48" long 2x4 boards together and indicate with 'X' marks where the wall studs will be located.
3. Install 72" long wall studs, between the wall plates, over the 'X' marks. Use (2) two 10d sinkers at each end of stud. Mark the letter 'A' on end with narrow stud spacing.
4. Repeat steps 2-3 to assemble another wall frame.
5. Set these frames aside, the siding will be applied later.

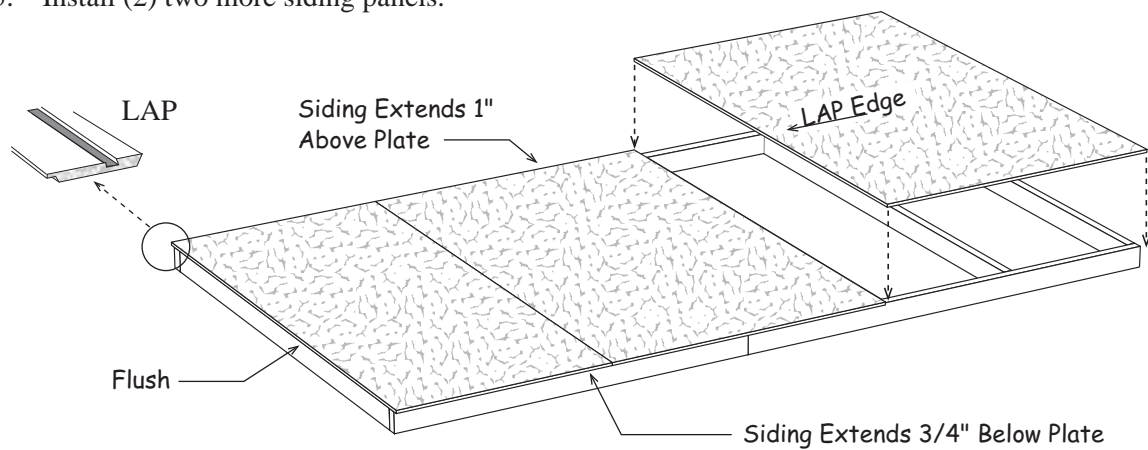


Step 4 Assemble Back Wall

1. Gather (4) four 72" long 2x4 boards and position together. Indicate with 'X' marks where the wall studs will be located. Mark the ends that will butt together with the letters 'A' and 'B'.

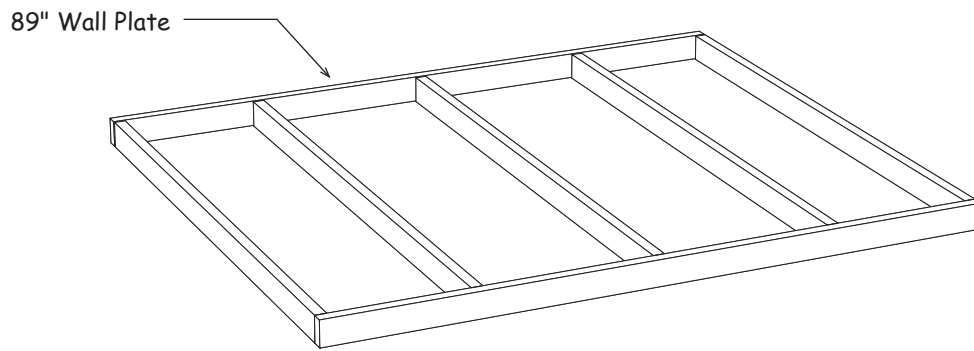
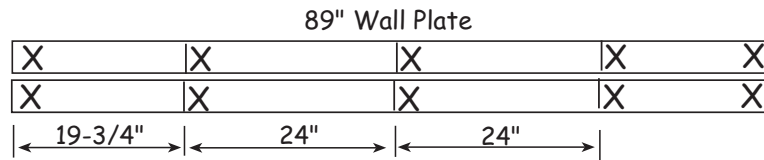


2. Install (8) eight 72" wall studs between the top and bottom plates. Assemble wall frames with 10d sinkers, (2) two nails at each stud end. Nail both wall frames together with 10d sinkers.
3. Square wall frame. *Measure diagonally (corner to corner). The measurements will be the same when the wall is square.*
4. Install the 1st siding panel with the 'LAP' edge flush with the end of the wall and extending 3/4" below the bottom plate and 1" above top plate. Use 8d galv. nails spaced 12" apart.
5. Install (2) two more siding panels.

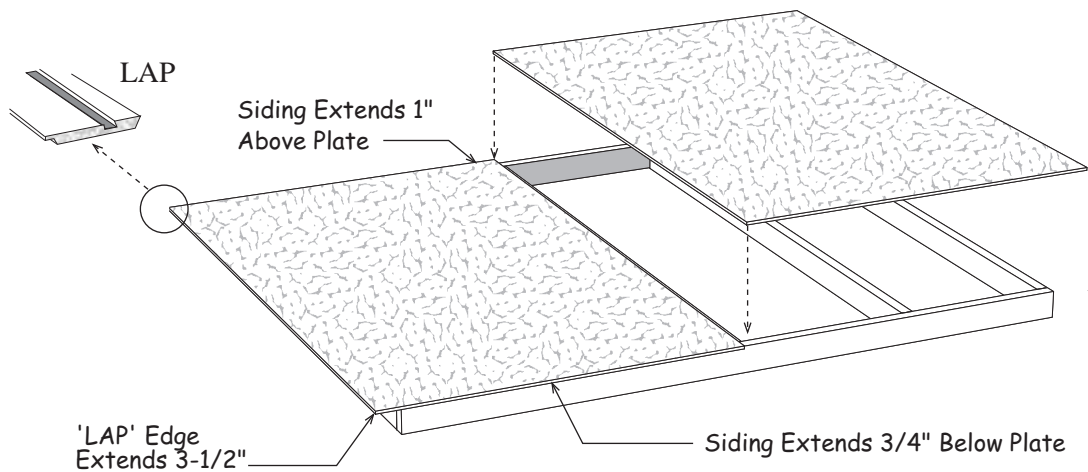


Step 5 Assemble End Wall

1. Gather (2) two 89" long 2x4 boards and position together. Indicate with 'X' marks where wall studs will be located.

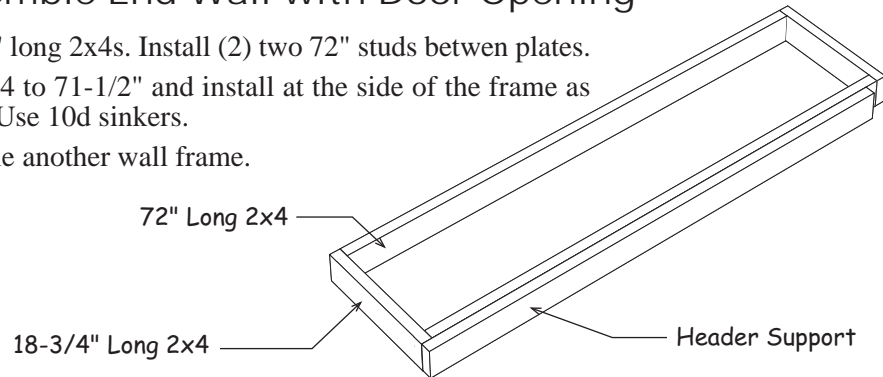


2. Install (5) five 72" long wall studs, between the wall plates, over the 'X' marks.
3. Square wall frame.
4. Install a siding panel with the 'LAP' edge extending 3-1/2" past the 2x4 wall frame and 3/4" below bottom plate and 1" above top plate.
5. Install another siding panel, the siding should extend 3-1/2" beyond wall frame.



Step 6 Assemble End Wall with Door Opening

1. Locate (2) 18-3/4" long 2x4s. Install (2) two 72" studs between plates.
2. Cut a 72" long 2x4 to 71-1/2" and install at the side of the frame as a header support. Use 10d sinkers.
3. Repeat to assemble another wall frame.

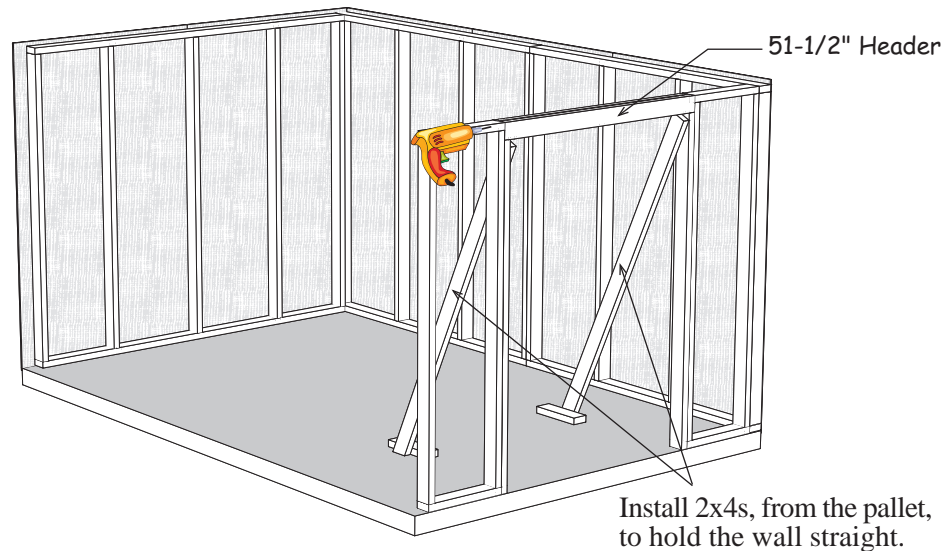


Step 7 Set Back Wall and End Walls



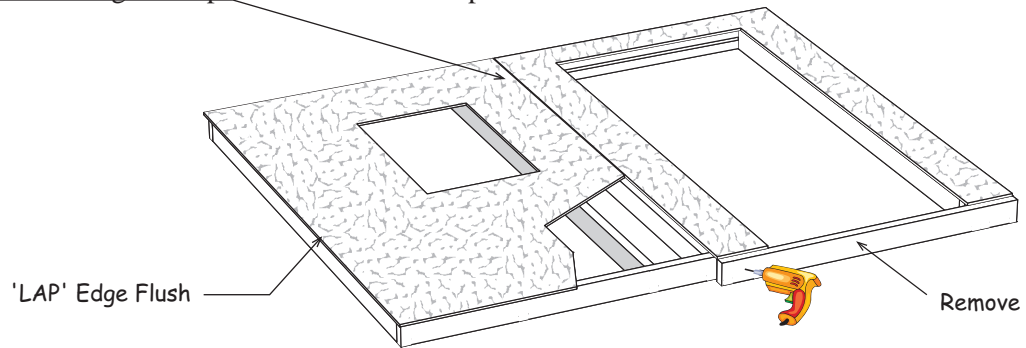
When setting the end walls, you can place the door opening on either end of the building, *shown below is positioned on the right end.*

1. Erect sided end wall and back wall. **IMPORTANT make sure walls are plumb and square.** Secure together at the corners using (4) four 10d sinkers per corner.
2. Disassemble the shipping pallet and remove the (4) four 2x4s from the pallet. The bit for the screws is in the hardware bag. Use (2) two to brace end wall frames straight. Save the other 2x4s and OSB boards, they will be used in a later step.
3. Erect door wall frames. Insure the header supports are facing each other.
3. Install the pre-built 51-1/2" door header between the front wall frames. Use (2) two 2-1/2" deck screws on each end of the header.



Step 8 Set Front Walls

1. Select one of the 48" wall frames assembled in **Step 3**. Position this frame so the letter 'A' is butted against the pre-built door frame. **Do Not** fasten these walls together.
2. Install a 48" siding panel on the left frame with the 'LAP' edge flush with the end of the frame and extending 3/4" below the bottom plate and 1" above top plate.
3. Install the siding panel, *with the door opening*, on the pre-built frame. **Do Not** nail where siding overlaps so frames can be separated.



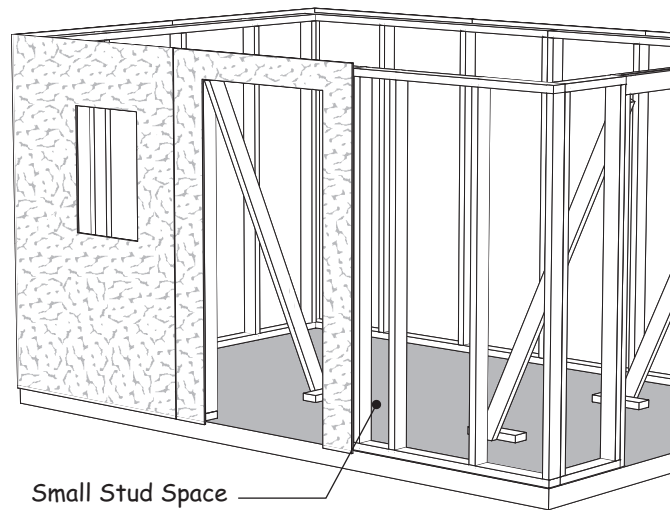
4. Separate the walls. Prior to erecting walls remove and save the 2x4 board screwed to the bottom of the pre-built wall panel. This 2x4 will be used as a tie plate in **Step 10**.



If you purchased optional windows you can cut the opening now or later. Instructions are included with windows. Suggested height is 36" from bottom.

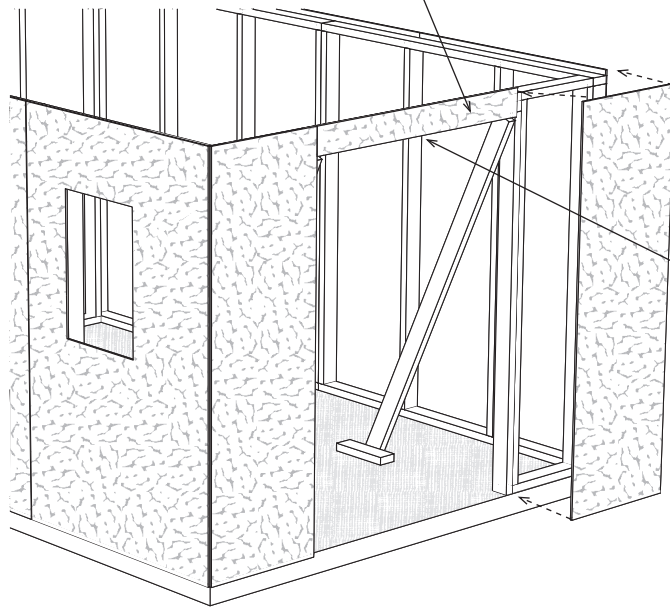
5. Install the wall panels sided above. Nail walls together with 10d sinkers.

6. Install the last 48" wall frame with the letter 'A' against the center wall panel.
7. Use the remaining 2x4 from the shipping pallet to brace the front wall.
8. Install a 48" siding panel and nail siding where they overlap.



Step 9 Install Siding on End Wall Frames

1. Install a 24-3/4" siding panel with the 'Tongue' edge on the left corner with the cut edge flush with the door opening. If necessary cut siding flush with the door opening.
2. Install a 6-3/4" x 48" siding panel next. The siding will extend 3/4" below the header.

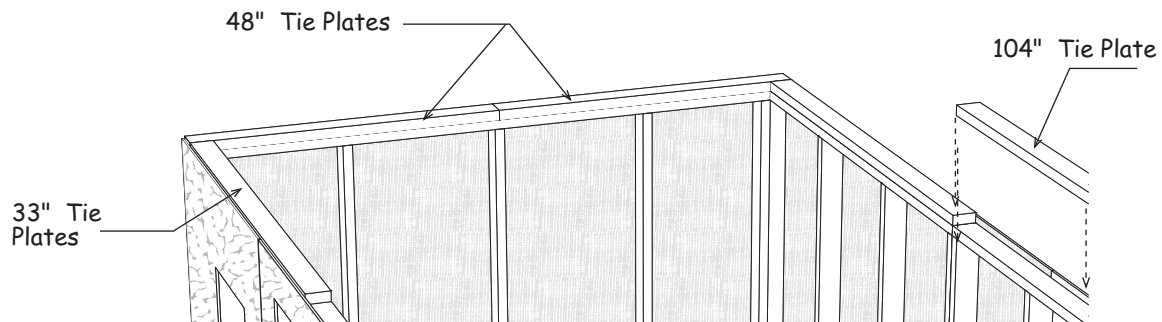


3. Install the last siding panel.
4. Nail along siding edge where it overlaps front and back walls at corners.
5. Secure walls to wood floor with 10d sinkers spaced 24" apart.

Siding 3/4" Below Header

Step 10 Install Tie Plates

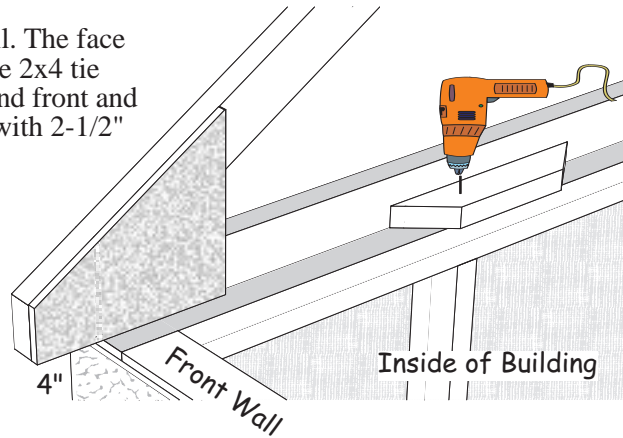
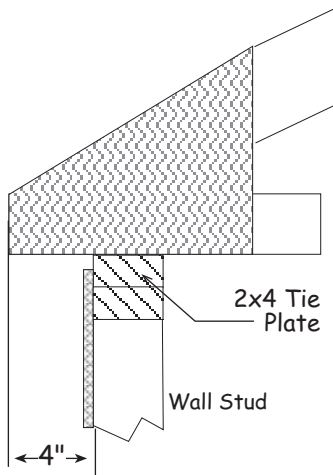
1. Install (2) two 48" long 2x4s over the top plate on both end walls. One of the 2x4s was removed from the single door frame. Use 10d sinkers.



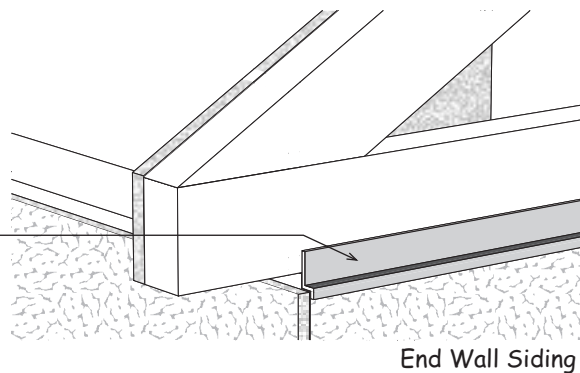
2. Cut a 72" long 2x4 into (2) two pieces 33" in length. Install these 2x4s at the corners of front and back walls.
3. Install (2) two 104" long 2x4 against the 33" long 2x4s on front and back walls.

Step 11 Install Roof Gable

1. Install a gable frame on the left end wall. The face of the gable 2x4 should be flush with the 2x4 tie plates. The gable should extend 4" beyond front and back 2x4 tie plates. Secure to end wall with 2-1/2" deck screws.

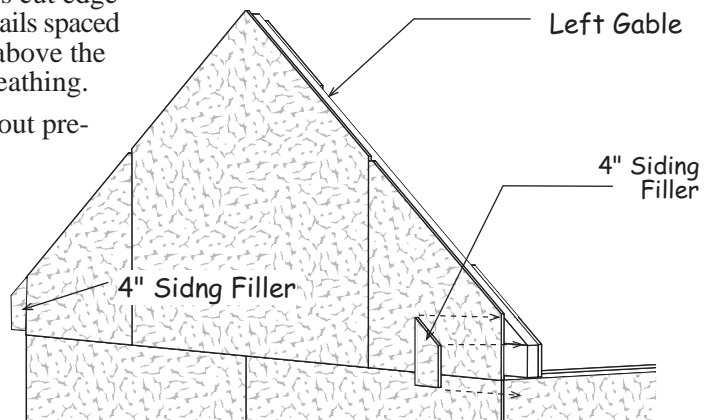


2. Install (2) two 48" pieces of 'Z' flashing across the top of the siding on the end wall siding. Secure in place using 6d galv. nails spaced 12" apart.



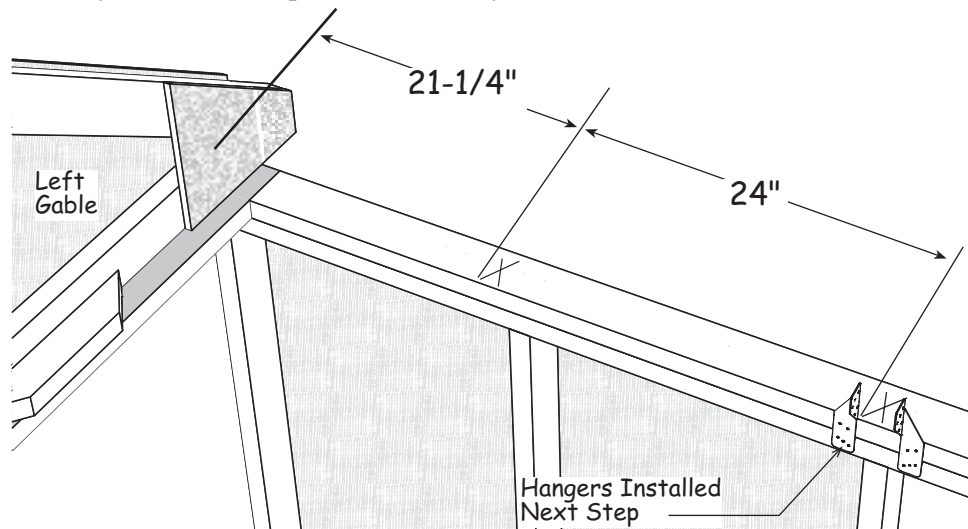
Step 12 Install Gable Siding

1. Working from left to right install a 24" siding panel with a 'Tongue' edge with its cut edge 4" from end of gable. Use 6d galv. nails spaced 12" apart. The siding will extend above the gable frame to receive the roof sheathing.
2. Select a center panel with or without pre-cut window. Install at center.
3. Install another 24" panel.
4. Install 4" siding fillers on the ends of the gable. The gable trim will hide where they butt the 24" wide siding so the fit is not important.

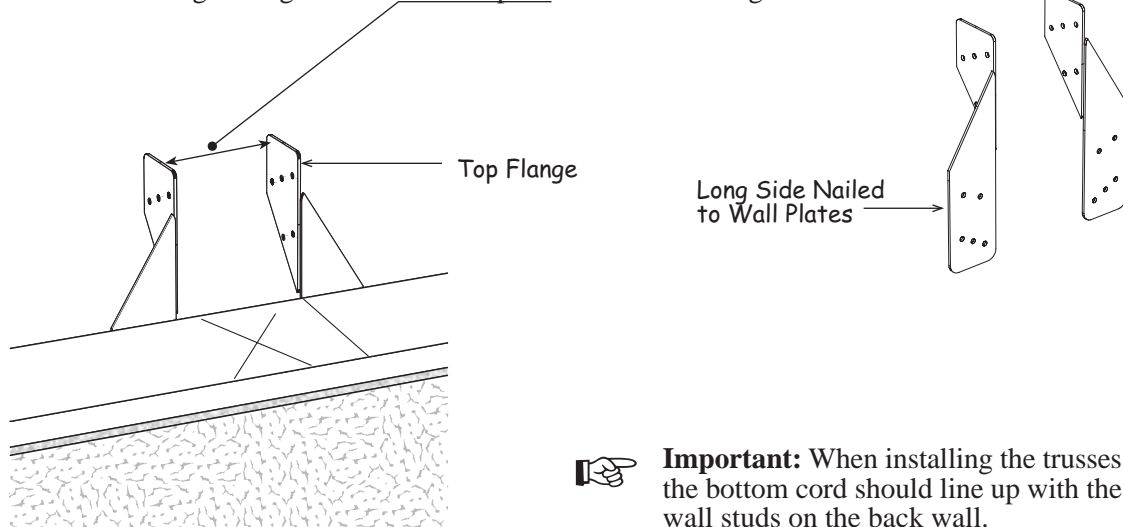


Step 13 Layout Spacing for Roof Trusses

1. Measure from the face of the wood gusset when marking the location of the first truss. Draw a line and place an 'X' mark to locate where the trusses will be placed. Continue 24" spacing to the last truss. **Important:** When marking the opposite wall, place the 'X' mark on the same side of the line so your trusses are parallel when they are installed.

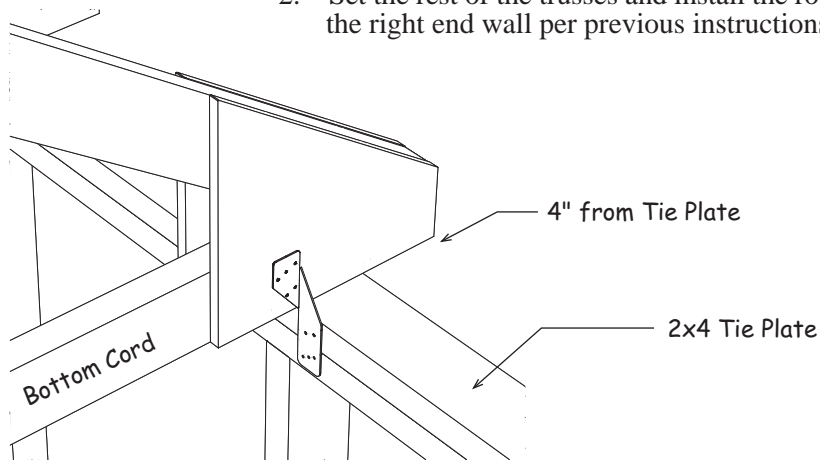


2. Locate the truss hangers, there are left and right hangers. Select the left hanger.
3. Using 6d common nails, install the left hangers to the 2x4 tie plate. The top hanger flange should line up with the line next to the 'X' mark. Installing the right hanger now will aid in keeping the trusses upright. Install the right hanger with a 2-3/8" space between the hangers.



Step 14 Install Trusses

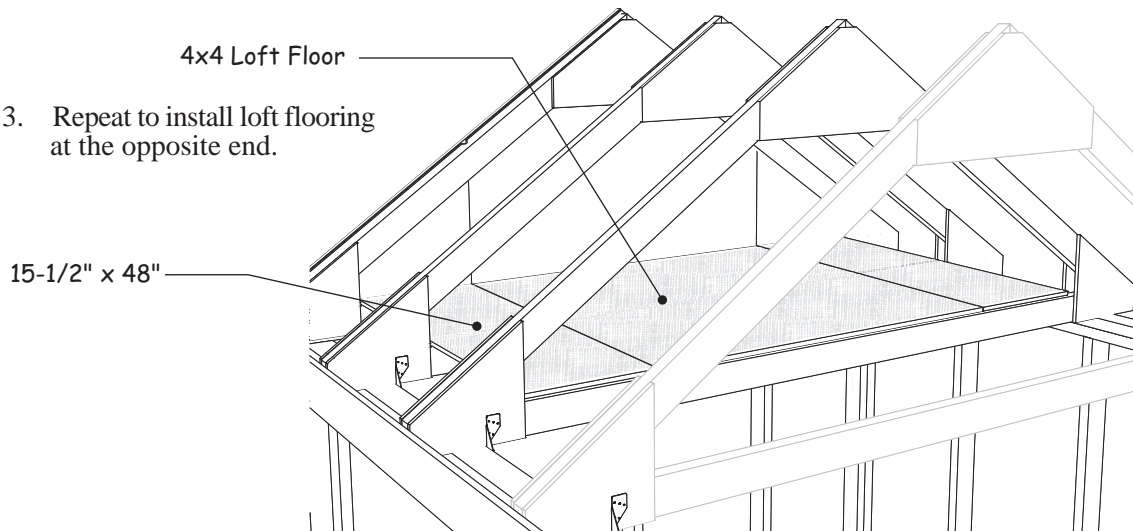
1. Set the first truss between the hangers. Insure each end is 4" from tie plates. Secure with 6d common nails.
2. Set the rest of the trusses and install the roof gable and 'Z' flashing on the right end wall per previous instructions.



Step 15 Install Loft Floor

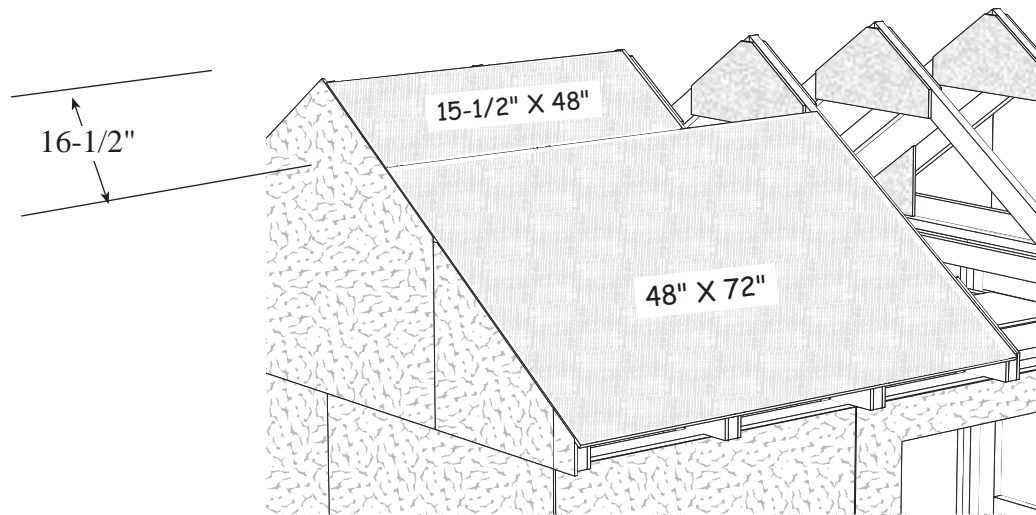
1. Locate (2) two 15-1/2" x 48" OSB sheets. Install one against left end gable siding and truss gussets. Use 7d sinkers spaced 16" apart.
2. Install a 48"x48" OSB sheet. Finish with the other 15-1/2" sheet.

3. Repeat to install loft flooring at the opposite end.



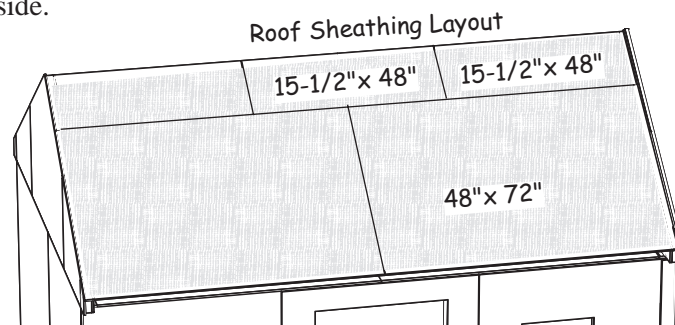
Step 16 Install Roof Sheathing

1. The gable and trusses should be plumb before installing the roof sheathing. Install a 48" x 72" piece of roof sheathing on the lower left front corner. The sheathing should be 16-1/2" from the peak and slightly extend past end of trusses. Use 7d sinkers, spaced 12" apart.
2. Install a 15-1/2" x 48" roof panel at the top. The top row of roof sheathing will be about 1" below the ridge to allow for optional ridge venting. See detail below.

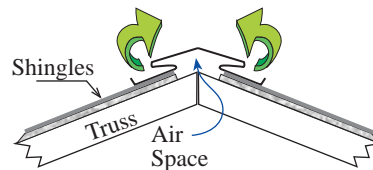


3. Install roof sheathing per the layout below
4. Install sheathing on the opposite side.

Building Tip; If you are installing metal roof panels, you may want to install metal panels on the front roof area before installing the roof sheathing on the back side. This will provide a working space to stand when installing the front metal panels.



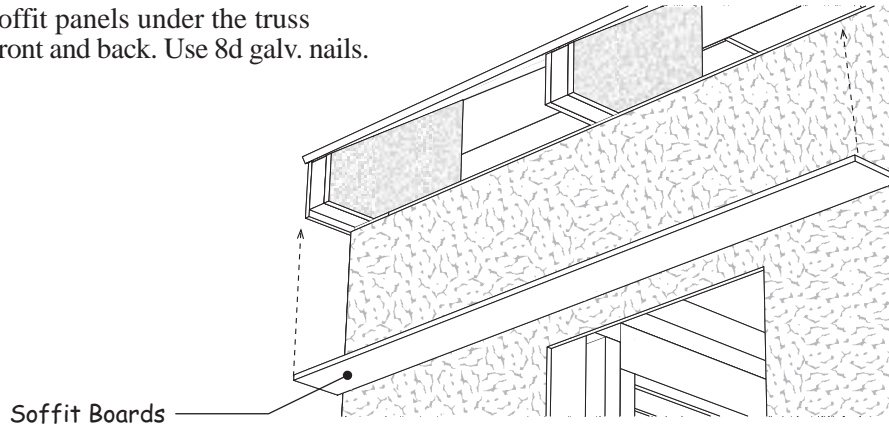
Optional ridge vent provides ideal ventilation.



The upper row of roof sheathing will not reach the peak to allow for ventilation if ridge vent is installed.

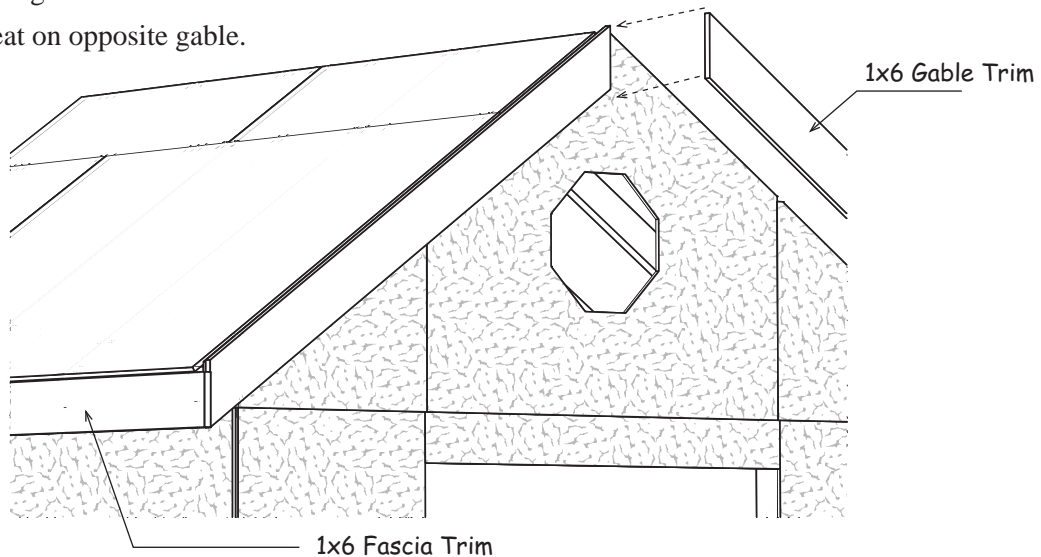
Step 17 Install Soffit

Install 4" x 48" soffit panels under the truss overhang on the front and back. Use 8d galv. nails.



Step 18 Install 1x6 Gable & Fascia Trim

1. Install (2) two 63-1/2" long 1x6 gable trim flush with the top of the roof sheathing. Use 8d galv. nails.
2. Repeat on opposite gable.

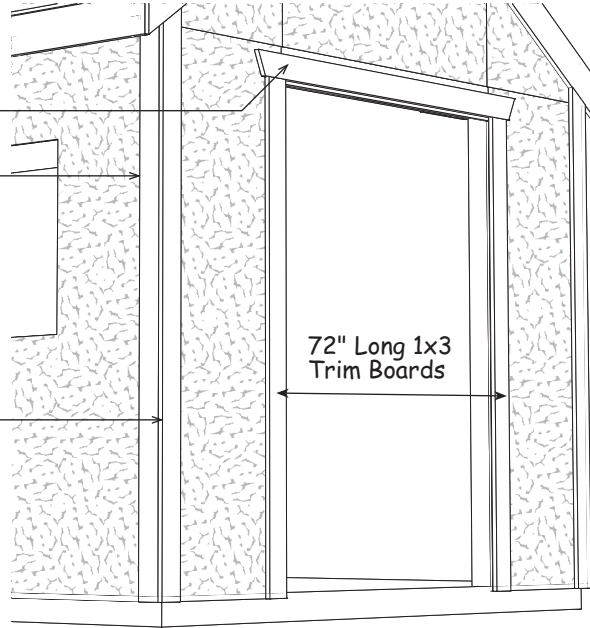


 ***If you are installing metal roof panels install 1x6 fascia after roof panels are installed.***

3. Locate a 74" long 1x6 trim board. Butt end of board with back of gable trim and against ends of trusses on front wall. Measure and cut so board is centered of 3rd truss. Use 8d galv nails.
4. Cut to fit a 74" long 1x6 trim board and install at end of trusses.
5. Repeat on back wall.
6. Install 14" octagon window in gable using white screws.

Step 19 Install Trim

- 60" Long 1x3 Door Trim
1. Install 76-3/4" long 1x3 trim boards on the corners of the front and back walls. Install trim boards flush with the face of the siding on the end walls. If necessary, notch trim boards to extend under the gable siding. Install all trim with 8d galv. nails spaced 12" apart.
 2. Install 79" long 1x4 trim on the end wall flush with the face of the corner trim installed above.
 3. Install 1x3-72" boards along each side of the door opening, flush with the bottom edge of the siding.

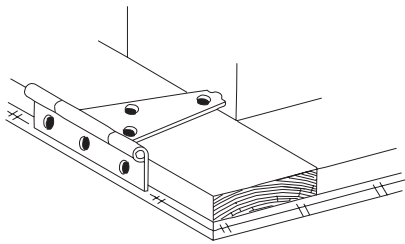


Tack these boards with a couple nails; you may want to move the trim later when you install the doors. Use 8d galv. nails.

4. Install 60" long 1x3 trim, *with angled ends*, resting on the door trim installed above. The siding over the door opening will extend 3/4" below the trim to serve as a door stop when the door are installed.
5. Install the remaining trim around the door opening on the front wall.

Step 20 Install Door Hardware

1. Locate the door marked (Single) on the back door frame. Lay this door on a level surface with the trim facing up. Depending on which way you want the door to swing, install (3) three 4" hinges on the left or right side of the door. To position the hinge properly, hold the rectangular plate against the frame. Use 1-3/4" black screws.



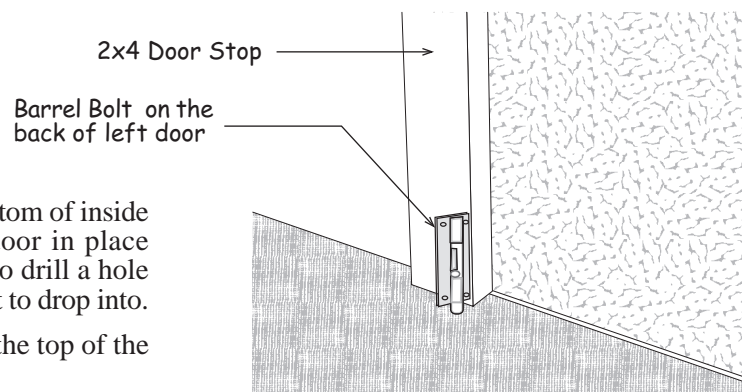
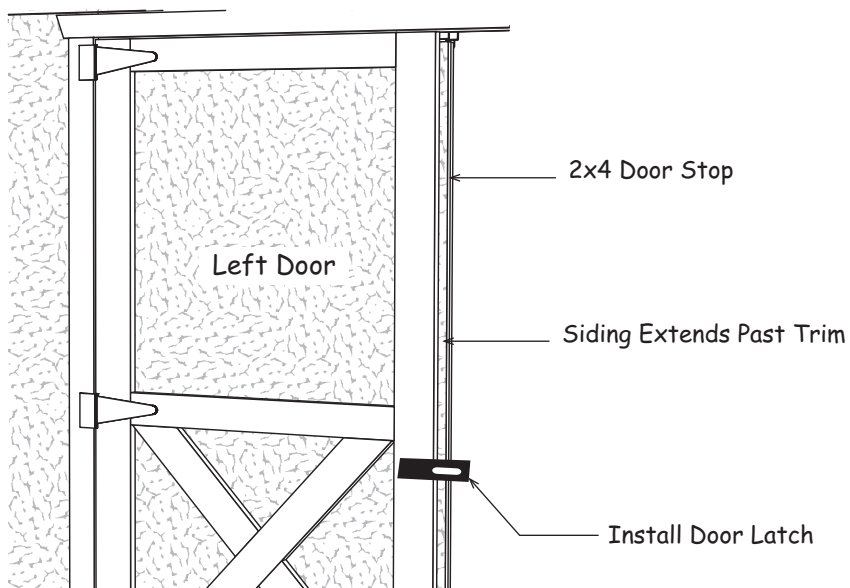
2. Lay the left door with the trim facing up. The siding on the left door extends past the door trim. See detail below.
3. Install 4" hinges to the left side of the door frame.
4. Install hinges to the right side of the other door.

Step 21 Install Doors

1. Temporarily prop the doors in the opening. Leave a space at the top of the doors and between the doors and the side trim to allow room for the doors to expand when they absorb moisture. Use OSB shim to support bottom of doors.

If your door opening is out of square, the space around the doors will not be even. You can remove and reposition the side trim to make allowances for this. The side trim does not have to be flush with the frame of the door opening. You can move the trim in or out to make the door spacing equal.

2. Install hinges to trim with 2" black screws.



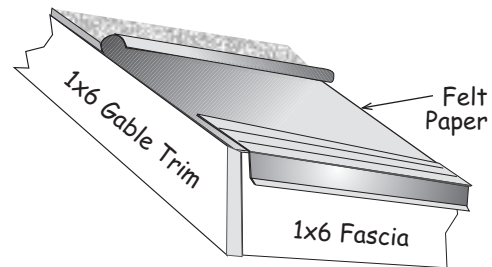
3. Install a barrel bolt on the bottom of inside of left door to secure this door in place when closed. You will need to drill a hole in the floor for the round shaft to drop into.
4. Install another barrel bolt at the top of the door.
5. Install 28" door using the remaining door hinges and latch.

Step 22 Install Roofing — Not Supplied in Kit



If you purchased our optional pre-cut metal roof package follow the instructions included with the kit.

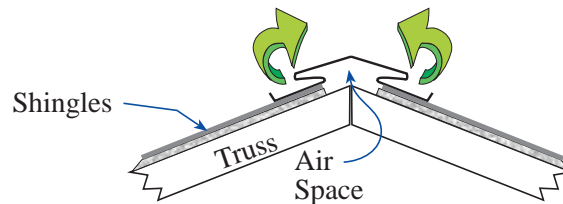
1. Install metal roof edging perimeter of the roof area. If you are not installing shingles at this time, you can purchase felt paper to protect the roof sheathing. Install the felt paper before you install the metal roof edge.



2. Install shingles according to the instructions on the wrapper.

Building Tip: Install ridge vent in lieu of shingles caps. Ridge vent provides ideal ventilation, preventing heat and moisture from damaging your building or its contents.

Optional ridge vent provides ideal ventilation.



You will need to purchase. →

- 5 Bundle roof shingles with nails.
- 5 Pieces roof 'drip' edge.

Regency 8' x 12' Shed Kit

👉 Packing List For Material Shipped in Cardboard Wrap

2	2 x 4	89"	Wall Plates
9	2 x 4	104"	Bottom Cord - Trusses & Tie Plates

September 7, 2016

👉 Packing List For Material Shipped on Pallet

<i>2x4 Framing & Trim</i>				<i>Hardware</i>					
36	2 x 4	72"	4	1 x 4	79"	2	Door Latch	3	lb. 10d Sinkers
14	2 x 4	63-1/2"	4	1 x 3	76-3/4"	9	4" Hinges w/screws	3	lb. 8d Galv.
3	2 x 4	48"	4	1 x 3	72"	2	6" Barren Bolt	3	lb. 7d Sinkers
4	2 x 4	18-3/4"	1	1 x 3	60"	20	Truss Hangers	3	lb. 6d Common
4	2 x 4	15"	1	1 x 3	35-1/2"	25	2-1/2" Deck Screws	1	lb. 6d Galv.
4	1 x 6	74"	4	1 x 6	63-1/2"	1	14" Octagon Wd.	2	Bits for screws
4	2 x 4 - 80" Attached to Shipping Pallet			<i>Miscellaneous Material</i>					
8	1 x 4 - 10" to 12" Blocks used for truss jig			12	Wood Gussets for Trusses 11-3/4" x 23-3/4"				
<i>Pre-Built Components</i>				24	Wood Gussets for Trusses 11-3/4" x 11-3/4"				
1	Pre-built Wall Panel 48" x 75"			6	LP Primed Soffit Panels 3-7/8" x 48"				
1	Barn Door 28" x 72"			<i>LP Primed Siding</i>					
2	Barn Doors 24" x 72"			8	48" x 76-3/4" 1 Panel with door cutout				
1	Door Header 3-1/2" x 51-1/2"			2	24" x 76-3/4"	1	6-3/4" x 48"		
<i>7/16" OSB Sheathing</i>				2	Gable Sidng - Center 48" x 41"				
4	48" x 72"			4	Gable Sidng - L & R Sides 24" x 23-1/2"				
2	48" x 48"			4	Gable Sidng - End Fillers 4" x 7-1/4"				